



ONWARD LIFTED 4-PASSENGER LITHIUM- ION Operators Manual



APPLICABLE TO VEHICLES WITH SERIAL PREFIX OF DM



INTRODUCTION

VEHICLE OWNERSHIP

Congratulations! The Club Car brand is widely recognized as the industry leader in vehicle efficiency and long-lasting value. Read, understand, and obey the technical content in this manual to protect your investment and provide years of reliable vehicle operation.

Read, understand, and obey all instructions and safety precautions in this manual to prevent the risk of personal injury or property damage.

Club Car recommends owners that rent or loan vehicles make sure operators read this manual before vehicle operation.

Club Car recommends owners register their vehicles immediately after purchase. The previous owner must include this manual with the vehicle when sold to a new owner. Registration of the vehicle will make sure Club Car is able to communicate necessary information directly to owners. Send your name, address, and serial number of the vehicle to:

Club Car, LLC
Attention: Vehicle Registration
P.O. Box 204658
Augusta, Georgia 30917-4658
United States Of America

CALIFORNIA PROPOSITION 65

 **WARNING**

OPERATING, SERVICING AND MAINTAINING A PASSENGER VEHICLE OR OFF-ROAD VEHICLE CAN EXPOSE YOU TO CHEMICALS INCLUDING ENGINE EXHAUST, CARBON MONOXIDE, PHTHALATES, AND LEAD, WHICH ARE KNOWN TO THE STATE OF CALIFORNIA TO CAUSE CANCER AND BIRTH DEFECTS OR OTHER REPRODUCTIVE HARM. TO MINIMIZE EXPOSURE, AVOID BREATHING EXHAUST, DO NOT IDLE THE ENGINE EXCEPT AS NECESSARY, SERVICE YOUR VEHICLE IN A WELL-VENTILATED AREA AND WEAR GLOVES OR WASH YOUR HANDS FREQUENTLY WHEN SERVICING YOUR VEHICLE. FOR MORE INFORMATION GO TO WWW.P65WARNINGS.CA.GOV/PASSENGER-VEHICLE.

APPROVED DEALERS AND DISTRIBUTORS

Club Car's customer support system offers fast and courteous service. Speak with your dealer or distributor for:

- Accessories
- Publications
- Replacement Parts
- Technical Advice
- Warranty Work



To find your nearest dealer or distributor:

- Visit www.clubcardealer.com
- Scan the dealer locator Quick Response (QR) code

COMPANY CONTACT INFORMATION

Send written correspondence to:

Club Car, LLC
Attention: Marketing Services
P.O. Box 204658
Augusta, Georgia 30917-4658
United States Of America

SATISFACTION AND FEEDBACK

Let your voice be heard!

Your feedback will help improve our publications. You can access the survey through any internet-connected device with a web browser. The survey is available in many different languages.

Scan the Quick Response (QR) code or type the web address <http://bit.ly/1w9uFMh> to complete the survey.



NOTICES

VEHICLE MODEL AND SERIAL NUMBER

The vehicle serial number is located on a bar code decal installed below the passenger-side cup holder.

1. A two-letter code that identifies the vehicle model.
2. A four-digit code that identifies the model year and production week the vehicle was assembled.
3. A unique six-digit number given to each vehicle built within a specified model year.



LIABILITY AND VEHICLE DESIGN CHANGES

Club Car is not liable for errors in this manual or for incidental or consequential damages that result from the use of the material in this manual.

Club Car reserves the right to make design changes to vehicles without obligation to make these changes on units previously sold.

This manual is the original instructions provided by the manufacturer if in English. This manual is a translation of the original instructions if in any language other than English.

VEHICLE MODIFICATIONS

DANGER

MODIFICATIONS OR CHANGES TO THE VEHICLE THAT AFFECT THE OCCUPANT RETENTION, ELECTRICAL SYSTEM, STABILITY OR HANDLING OF THE VEHICLE, OR INCREASES THE MAXIMUM VEHICLE SPEED CAN CAUSE SERIOUS PERSONAL INJURY OR DEATH.

NOTICE

MODIFICATIONS TO THE VEHICLE MUST NOT COMPROMISE COMPLIANCE WITH STATE OR FEDERAL REGULATIONS.

Modifications made to vehicles or installation of accessories that are not approved by Club Car may adversely affect the safe operation and performance of the vehicle. These modifications include, but are not limited to lift kits, seating changes, increased speed and cargo capacity. Club Car does not recommend any modification of this vehicle except kits and upgrades specifically designed and offered by Club Car. However, if the vehicle is modified, the modifier shall:

1. arrange for the modification to be designed, tested and implemented by an engineer with expertise in vehicles and their safety;
2. maintain a permanent record of the design, testing and implementation of the modification;
3. make appropriate changes to the capacity, plate(s), decals, and operation and maintenance manuals; and
4. apply a permanent and readily visible label on the vehicle stating the vehicle has been modified with the date of the modification and the name of the entity that made the modification.

The entity making any modification becomes the original equipment manufacturer of the modified vehicle, assumes liability for the vehicle, and has the responsibilities listed above.

Modifications may void the warranty. Refer to the warranty for more details.

VEHICLE WARRANTY

Warranty information is located in the warranty section of this manual. No other expressed or implied warranties are contained herein.

Your dealer or distributor examined the vehicle before it was delivered to you. The dealer or distributor will also supply you a copy of the completed vehicle warranty registration form.

GOVERNMENTAL AND INDUSTRY STANDARDS

AMERICAN NATIONAL STANDARDS INSTITUTES ANSI Z135

The configuration of this vehicle complies with American National Standards Institutes (ANSI) Z135 Safety Standards for Personal Transport Vehicles (PTVs). The vehicle should only be operated in areas approved for PTV operation. The words "PTV" and "vehicle" are used inter-changeably in this manual.

U.S.A. FEDERAL VEHICLE SAFETY STANDARDS

The configuration of this vehicle does not comply with United States Of America Federal Motor Vehicle Safety Standards (FMVSS) for automobiles and FMVSS 500 for low-speed vehicles as it existed on the date the vehicle was shipped from the Club Car manufacturing facility.

CANADIAN STANDARD ICES-002

This vehicle complies, when marked with an ICES decal, with CAN ICES-2 / NMB-2 as it was on the date the vehicle was shipped from the Club Car manufacturing facility.

EUROPEAN UNION VIBRATION AND NOISE PREN 15997

European Union specification prEN 15997 was used to measure the vibration and noise levels of the vehicle. The vibration and noise values are recorded in the vehicle specification section of this manual.

EUROPEAN UNION DIRECTIVES

This vehicle, when marked with a CE decal, complies with:

- 2014/30/EU
- 2006/42/EC
- 2006/66/EC
- 2014/35/EU

The following standards were used:

- EN ISO 12100:2010
- EN ISO 13857:2008
- EN 60204-1
- EN 61000-6-2:2005
- EN 61000-6-4:2007/A1:2011
- EN 60335-2-29:2004

EUROPEAN UNION LOW VOLTAGE DIRECTIVE

The 2014/35/EU Low Voltage Directive does not apply to the propulsion system of this vehicle because the DC and AC voltages are below the minimum threshold.



PUBLICATION COPYRIGHT

This manual contains proprietary information that is protected by copyright. All rights are reserved. Express written consent of Club Car, LLC is necessary to photocopy, replicate, or translate this manual. The information contained in this publication is subject to change without notice.

(Page intentionally left blank.)

CONTENTS

INTRODUCTION	I
---------------------------	----------

NOTICES	III
----------------------	------------

SECTION 1 – SAFETY INFORMATION	11
---	-----------

General Safety Information	12
Note To The Owner	12
Practice Safety.....	12
Safety Signal Words	12
Safety Committee	13
Vehicle Safety Information.....	13
Vehicle Safety And Compliance Decals.....	14
Vehicle Safety Features	18
Battery Charging Interlock	18
Multi-Purpose Buzzer	18
Regenerative Braking	18
Walk-Away Braking	19
Battery Safety Information	19
Battery International Safety Symbols	19
Lithium-Ion Battery Recycling	20

SECTION 2 – INDICATORS, GAUGES, AND DISPLAYS	21
---	-----------

Indicator, Gauge, And Display Locations	22
Dash Display	22

SECTION 3 – VEHICLE CONTROLS.....	27
--	-----------

Vehicle Controls Locator	28
Accelerator Pedal	29
Brake Pedal	29
Forward / Neutral / Reverse Control	29
Hazard Light Switch	30
Headlight Switch.....	30
Horn.....	30
Key Switch.....	30
Park Brake.....	31
Run/Tow-Stow Switch	32
Turn Signal Lever	33

SECTION 4 – VEHICLE FEATURES.....	35
--	-----------

Vehicle Features Description	36
Fold-Down Rear Seat.....	36
Off Peak Charging	36
USB Receptacle.....	36

SECTION 5 – BATTERY CHARGER	37
--	-----------

Introduction	38
IC650 Specifications.....	39
Manufacturer Information	39
Dimension And Weight.....	39
Operational Temperature.....	39
AC Input.....	39

DC Output	39
IC900 Specifications	40
Manufacturer Information	40
Dimension And Weight	40
Operational Temperature	40
AC Input	40
DC Output	40
Governmental And Industry Certifications	40
European Conformity	40
Federal Communications Commission	41
International Protection Marking	41
Underwriters Laboratories And Canadian Standards Association	41
Features	41
AC Electrical Cord And Plug	41
Status Indicator Lights	42
Battery Charging Interlock	43
External Battery Charger Mounting	43
How To Make Strain Relief And Drip Loop	44
Inspection And Maintenance	44
Electrical Cords	44
Electrical Plugs And Receptacles	44
Clean The Electrical Plugs And Receptacles	45
Battery Charger USB Receptacle	45
Clean The USB Receptacle	45

SECTION 6 – VEHICLE SPECIFICATIONS..... 47

Dimensions	48
Performance.....	48
Tires	48
Electric Motor	48
Battery	48
Noise And Vibration	49
Transaxle.....	49
Vehicle Weights And Load Capacities.....	49

SECTION 7 – VEHICLE OPERATION 51

Daily Pre-Operational Safety And Performance Checks.....	53
Overview	53
Daily Pre-Operational Safety Checklist	53
Vehicle Performance Inspection	54
Vehicle Movement.....	55
Overview	55
Motor Start	56
Turn Off Motor.....	56
Forward Movement	56
Reverse Movement.....	57
Slow Or Stop The Vehicle	57
Park The Vehicle	58
Driving Conditions	58
Unpaved Surfaces	58
Uphill Slope.....	58
Side Hill Slope	59
Downhill Slope	59
Over Obstacles	60
Below Obstacles	60
Night Time	60
Through Water.....	61

SECTION 8 – VEHICLE MAINTENANCE	63
Disable The Vehicle	64
Vehicle Cleaning.....	65
Windshield	65
Vehicle Exterior	65
Vehicle Interior	65
Maintenance Schedule	65
Overview.....	65
Service Schedule	66
Maintenance Tasks.....	66
Clean The Dynamic Braking Resistor	66
Lift The Vehicle	67
Lower The Vehicle.....	70
Tire Pressure Measurement	72
Wheel Assembly	72
SECTION 9 – BATTERY MAINTENANCE	75
Battery Maintenance Overview	76
Battery Cleaning	76
Battery Charging	76
Charging With External Charger	76
Charging With Onboard Charger	77
SECTION 10 – TRANSPORT AND TOW	79
Prepare The Vehicle To Be Towed.....	80
Towing A Trailer Or Vehicle	80
Tow The Vehicle With Approved Tow Vehicle	80
Vehicle Transport Preparation	81
Vehicle Transport Recovery	81
SECTION 11 – EXTENDED STORAGE	83
Extended Storage Preparation	84
Return To Service From Extended Storage.....	85
SECTION 12 – WARRANTIES	87
Limited Warranty	88
Warranty	88
Warranty Timeframe	88
Exclusions	89
Voiding Of Warranty	90
Sole Remedy.....	90
Disclaimer	90
No Consequential Damages	90
How To Make A Warranty Claim	91

(Page intentionally left blank.)



1

SAFETY INFORMATION

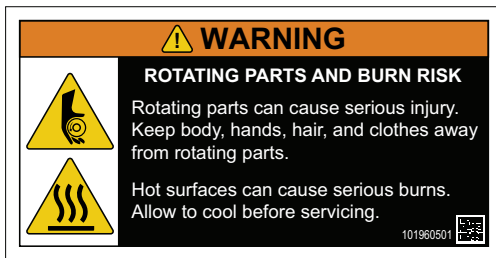
GENERAL SAFETY INFORMATION

This vehicle is designed and intended to transport people on improved or semi-improved surfaces for applications including commercial, industrial, agriculture and personal use, where permitted by law or by regulatory authority rules. Always adhere to local laws and regulations pertaining to the use of the vehicle.

Only operate this vehicle as described in this manual. Speak with your local dealer or distributor for changes, additions, or modifications that are necessary to comply with local laws and regulations pertaining to the use of the vehicle.

Any vehicle can be used in a variety of usages outside of the manufacturer's intent. Club Car cannot anticipate and warn for every possible usage condition. Therefore, the operator must exercise good sense and judgement and must operate the vehicle in an appropriate manner for the way in which the vehicle is being used.

PRACTICE SAFETY



Signal words (DANGER, WARNING, CAUTION, and NOTICE) and safety messages are in this manual and on safety decals. Read, understand, and obey all instructions, safety precautions, and safety decals before vehicle operations.

Replace missing, damaged, or unreadable safety decals immediately to prevent possible property damage, personal injury, or death. Purchase replacement safety decals from your dealer or distributor.

Know and understand all laws and regulations for vehicle operation in your area.

Speak with your dealer or distributor if you have questions about material contained in this manual or the vehicle.





SAFETY SIGNAL WORDS

Signal words (DANGER, WARNING, CAUTION, and NOTICE) and safety messages are in this manual and on safety decals. Read, understand, and obey all instructions, safety precautions, and safety decals before vehicle operations.

Safety messages are necessary and must be obeyed.



The safety alert symbol is used to alert you to possible personal injury hazards. Obey all safety messages that follow this symbol to prevent possible injury or death.

SAFETY SIGNAL WORD	SIGNIFICANCE
	<p>A DANGER identifies a hazardous situation which will result in death or serious injury.</p>
	<p>A WARNING identifies a hazardous situation which could result in death or serious injury.</p>
	<p>A CAUTION identifies a hazardous situation which could result in minor or moderate injury.</p>
	<p>A NOTICE identifies a hazardous situation which could result in property damage.</p>

SAFETY COMMITTEE

If the vehicle is rented or part of a fleet, Club Car recommends a safety committee. The primary concern of the safety committee is safe vehicle operation.

Safety committee objectives include:

- Approve vehicle operation areas.
- Identify all hazards.
- Identify who is approved to operate the vehicle.
- Keep the vehicles in a safe and serviceable condition.
- Supply instructions on safe vehicle operation.
- Visually show all hazards.

VEHICLE SAFETY INFORMATION



FAILURE TO OBEY INSTRUCTIONS IN THIS MANUAL CAN CAUSE PROPERTY DAMAGE, SERIOUS PERSONAL INJURY, OR DEATH. BEFORE YOU OPERATE THE VEHICLE OR DO THE SERVICING OF THE VEHICLE, READ AND FULLY UNDERSTAND THE OWNER'S MANUAL.

CLUB CAR VEHICLES ARE NOT RATED FOR OPERATION IN EXPLOSIVE AREAS. THE VEHICLE OR BATTERY CHARGER CAN CAUSE FLAMMABLE MATERIAL AND FUME IGNITION. DO NOT OPERATE THE VEHICLE OR BATTERY CHARGER NEAR FLAMMABLE MATERIALS AND FUMES.

THE VEHICLE DOES NOT GIVE PROTECTION FROM LIGHTNING, FLYING OBJECTS, OR OTHER STORM RELATED HAZARDS. DO NOT OPERATE THE VEHICLE IN STORMS. STOP THE VEHICLE. GET OUT OF THE VEHICLE IMMEDIATELY AND FIND A SHELTER IN ACCORDANCE WITH APPLICABLE SAFETY GUIDELINES FOR YOUR LOCATION IF IN A STORM.

UNINTENDED VEHICLE OPERATION CAN CAUSE SERIOUS PERSONAL INJURY OR DEATH. MAKE SURE THAT CHILDREN ARE ALWAYS SUPERVISED IN AND AROUND THE VEHICLE.

DO NOT OPERATE THE VEHICLE UNDER THE INFLUENCE OF ALCOHOL, DRUGS, MEDICATIONS, OR WHILE DISTRACTED.

WARNING

ELECTRICAL SHORTS CAN CAUSE A FIRE, ELECTRICAL SHOCK, SERIOUS PERSONAL INJURY, OR DEATH. PREVENT CONTACT BETWEEN POSITIVE VOLTAGE AND THE GROUND CIRCUIT. USE INSULATED TOOLS.

TO HELP PREVENT BEING HIT, DO NOT STAND IN FRONT OF OR BEHIND THE VEHICLE.

ONLY TWO PERSONS PER BENCH SEAT. ONLY RIDE ON THE BENCH SEAT. DO NOT LET PEOPLE RIDE ON ANY PART OF THE VEHICLE THAT IS NOT EQUIPPED WITH A SEAT. DO NOT LET A PASSENGER HOLD A CHILD IN HIS OR HER LAP WHILE THE VEHICLE MOVES.

ONLY TRAINED TECHNICIANS SHOULD SERVICE OR REPAIR THE VEHICLE. ANYONE DOING EVEN SIMPLE REPAIRS OR SERVICE SHOULD HAVE KNOWLEDGE AND EXPERIENCE IN ELECTRICAL AND MECHANICAL REPAIR. THE APPROPRIATE INSTRUCTIONS MUST BE USED WHEN PERFORMING MAINTENANCE, SERVICE, OR ACCESSORY INSTALLATION.

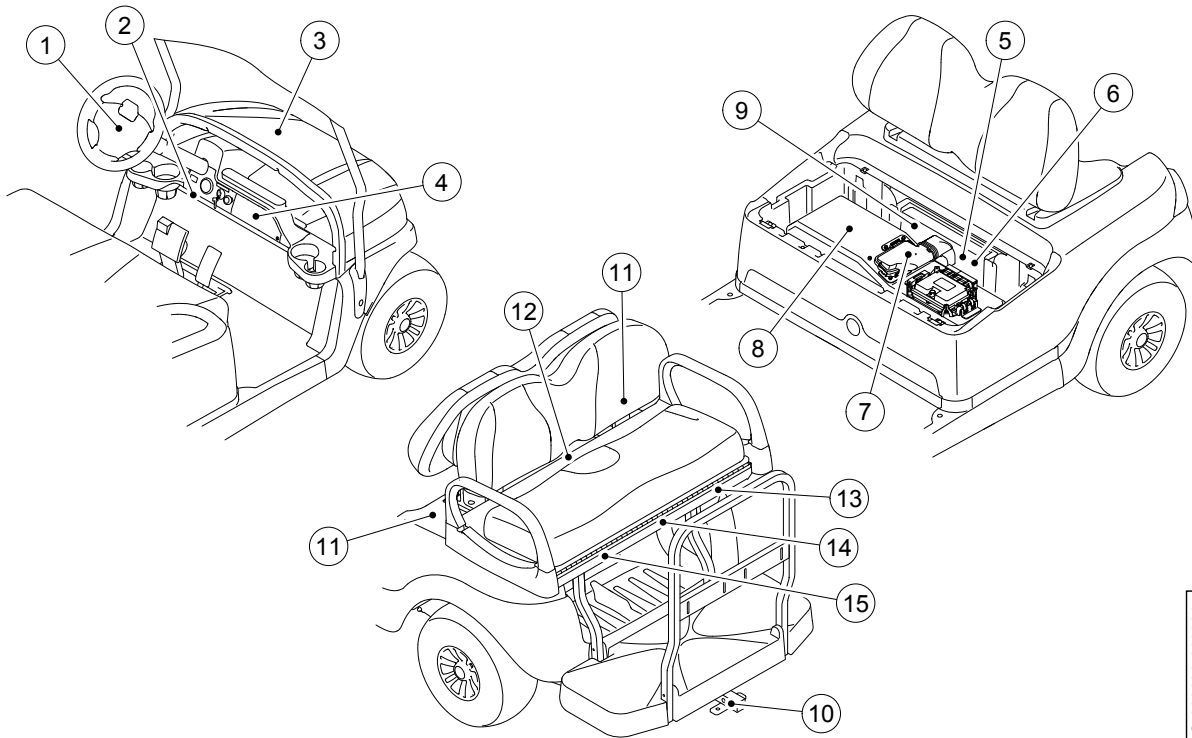
VEHICLE SAFETY AND COMPLIANCE DECALS

WARNING

MAKE SURE ALL OF THE SAFETY AND OPERATION DECALS ARE IN THE CORRECT LOCATION ON THE VEHICLE. REPLACE THE SAFETY AND OPERATION DECALS THAT ARE MISSING OR DAMAGED.

Understand and obey all safety decals. The instructions on these safety decals must be followed in order to prevent the risk of dangerous personal injury or property damage.

Use a soft moist cloth to clean the decals. Do not use solvents, gasoline, or other chemicals to clean the decals. Do not pressure wash decals.

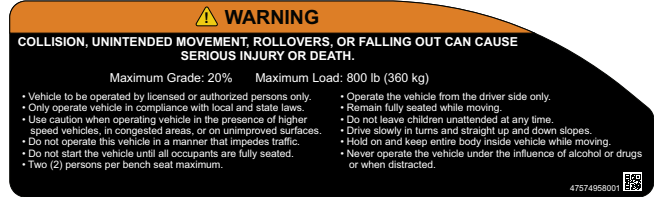


G-200096-000081

<p style="text-align: center;">OPERATING INSTRUCTIONS</p> <p>Before using vehicle, read owner's manual and vehicle safety warnings. Study and understand controls.</p> <p style="text-align: center;">TO OPERATE</p> <ul style="list-style-type: none"> • Ensure wheels are turned in desired direction of travel and path is clear. • Turn key to ON. • Set the FNR control to FORWARD (F) or REVERSE (R) only when stopped. • Disengage the park brake. • Vehicle will start moving when accelerator pedal is pushed. • Slowly push the accelerator pedal to increase speed. • During operation, a beeping alarm indicates a reduction in regenerative braking. • To stop, release accelerator pedal and push the brake pedal. <p style="text-align: center;">⚠ WARNING</p> <p style="text-align: center;">UNINTENDED VEHICLE MOVEMENT CAN CAUSE SERIOUS INJURY OR DEATH</p> <p>Before leaving vehicle:</p> <ul style="list-style-type: none"> • Engage park brake to lock wheels. • Set the FNR control to NEUTRAL (N). • Turn the key to OFF and remove key. <p style="text-align: center;">103783001 </p>	<div style="border: 1px solid black; padding: 5px;"> <p>⚠ WARNING ACCIDENTAL VEHICLE MOVEMENT HAZARD MAY CAUSE SERIOUS INJURY OR DEATH.</p> <table border="0" style="width: 100%;"> <tr> <td style="font-size: small; vertical-align: top;">Before leaving the vehicle:</td> <td style="font-size: small; vertical-align: top;"> <ul style="list-style-type: none"> • Turn the key to OFF and remove the key. • Set the FNR control to NEUTRAL (N) • Engage the park brake. </td> </tr> </table> <p style="text-align: right; font-size: x-small;">2/18/2020</p> </div>	Before leaving the vehicle:	<ul style="list-style-type: none"> • Turn the key to OFF and remove the key. • Set the FNR control to NEUTRAL (N) • Engage the park brake.
Before leaving the vehicle:	<ul style="list-style-type: none"> • Turn the key to OFF and remove the key. • Set the FNR control to NEUTRAL (N) • Engage the park brake. 		
<p style="text-align: center;">1. Operating Instructions Decal</p>	<p style="text-align: center;">2. Vehicle Movement Warning Decal</p>		



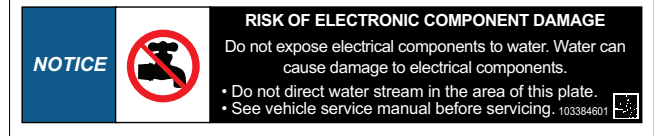
3. Windshield Warning Decal



4. Rollover Warning Decal

This vehicle complies with Part III of the ANSI / ILTVA Z135 - PTV Safety Standard when equipped with rear view mirrors

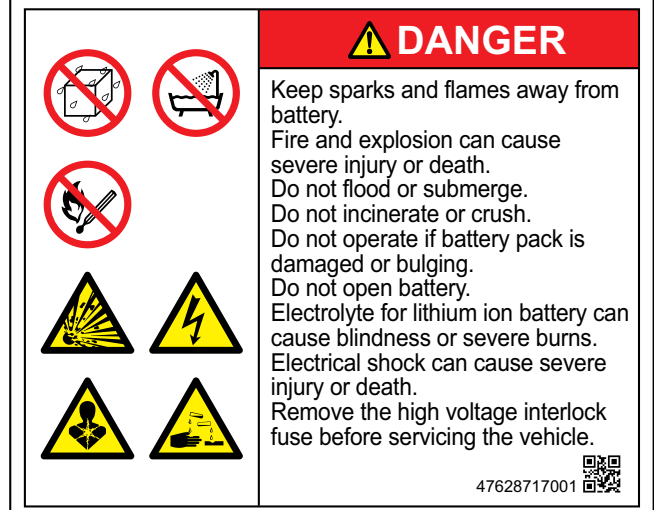
47586191001



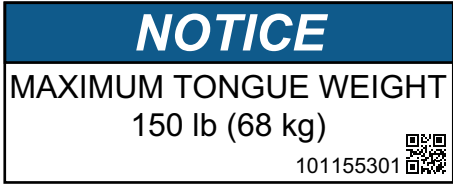
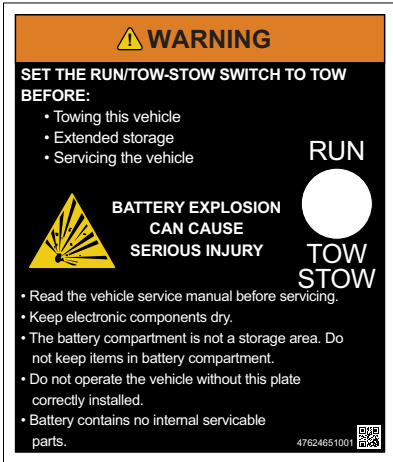
6. Water Exposure Caution Decal



7. Terminal Cover Hazard Decal



8. Battery Danger Decal



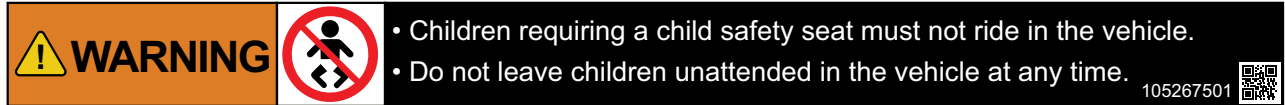
9. Run/Tow-Stow Warning Decal

10. Trailer Hitch Notice Decal

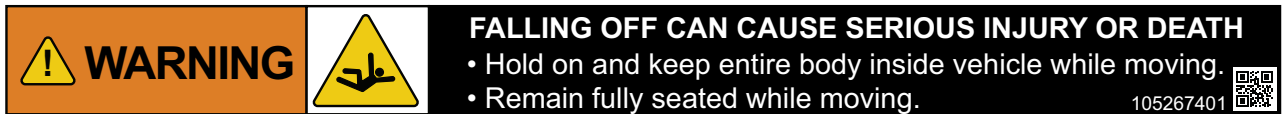


11. Crush Area Warning Decal

12. Box Bed Warning Decal



13. Children Unattended Warning Decal



14. Hold On Warning Decal

**WARNING****FALLING OFF CAN CAUSE SERIOUS INJURY OR DEATH**

• Two (2) persons per bench seat maximum.

105267301



15. Falling Off Warning Decal

VEHICLE SAFETY FEATURES

BATTERY CHARGING INTERLOCK

External Battery Charger: The battery charging interlock is a safety feature that prevents possible damage to the battery charger and vehicle. The battery charging interlock will automatically engage when the DC cord is connected to the vehicle. The vehicle will not operate when the DC cord is connected.

Note: The AC cord does not have to be connected for the battery charging interlock to operate.

Onboard Battery Charger: The battery charging interlock is a safety feature that prevents possible damage to the battery charger and vehicle. The battery charging interlock will automatically engage when the AC cord is connected to a power source. The vehicle will not operate when the AC cord is connected.

MULTI-PURPOSE BUZZER

The vehicle comes equipped with a multi-purpose buzzer. The multi-purpose buzzer makes an audible tone when:

- The Forward / Neutral / Reverse control (FNR) is set to R.
- The walk-away braking engages for longer than two seconds.
- The regenerative braking performance decreases because the battery is fully charged.
- The battery starts to charge.
- The battery state of charge (SOC) is low.
- The turn signal lever is on.

REGENERATIVE BRAKING

**CAUTION**

WHEN THE BATTERY IS FULLY CHARGED, A WARNING BUZZER WILL OPERATE DURING REGENERATIVE BRAKING TO TELL THE DRIVER THAT REGENERATIVE BRAKING PERFORMANCE WILL DECREASE. USE THE BRAKE PEDAL TO CONTROL THE VEHICLE SPEED.

Regenerative braking helps maintain the downhill speed of the vehicle in relation to the accelerator pedal position.

Regenerative braking performance decreases when the battery is fully charged.

Regenerative braking cannot maintain the vehicle speed on an excessive grade (more than 20%). Use the brake pedal to control the vehicle speed.

ACCELERATOR PEDAL POSITION	CONDITION
Fully Pushed	Regenerative braking holds the vehicle at the programmed top speed.
Between Fully Pushed And Released	Regenerative braking holds the vehicle at a percentage of the programmed top speed in relation to the accelerator pedal position.
Fully Released	Regenerative braking will stop the vehicle slowly. <i>Note:</i> The regenerative braking functions are controlled by the controller settings. Speak with your dealer or distributor for more information.

WALK-AWAY BRAKING



WALK-AWAY BRAKING WILL NOT LIMIT VEHICLE SPEED TO 3 MPH (4.8 KM/H) ON STEEP SLOPES. DO NOT OPERATE THE VEHICLE ON SLOPES THAT ARE MORE THAN A 20% GRADE.

Walk-away braking is a safety function that limits the roll-away speed of a vehicle when the park brake is disengaged. The multi-purpose buzzer will make an audible tone when the walk-away braking safety device engages for more than two seconds.

Note: Before the walk-away braking function will operate for the maximum 12 hours, fully charge the battery.

BATTERY SAFETY INFORMATION









FLOODED AND SUBMERGED BATTERIES CAN CAUSE DAMAGE INCLUDING LEAKS AND EXPLOSION. IF A BATTERY IS SUBMERGED, REPLACE THE BATTERY BEFORE CHARGING OR USE.

IF THE BATTERY IS OPENED, ELECTRICAL SHOCK, EXPLOSION, OR FIRE CAN OCCUR. THE BATTERY IS NOT SERVICEABLE. DO NOT OPEN THE BATTERY.

BATTERY INTERNATIONAL SAFETY SYMBOLS

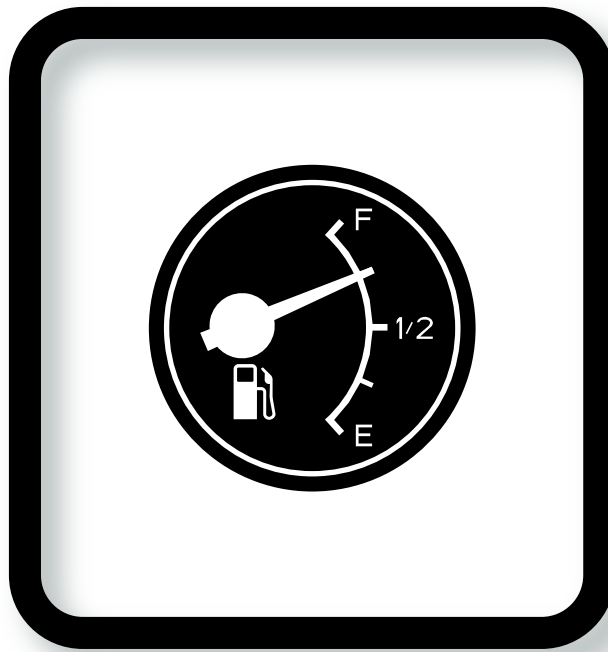
Understand and obey the international safety symbols on the vehicle battery before you use, repair, or service the vehicle.

SYMBOL	SIGNIFICANCE
	Shield eyes
	Read and obey operation and maintenance instructions
	Do not smoke, No open flames, No sparks
	Keep away from children
	Battery acid hazard
	Explosive gas hazard

LITHIUM-ION BATTERY RECYCLING

Lithium-Ion batteries must be collected and recycled separately from other waste. Do not discard lithium-ion batteries as municipal waste.

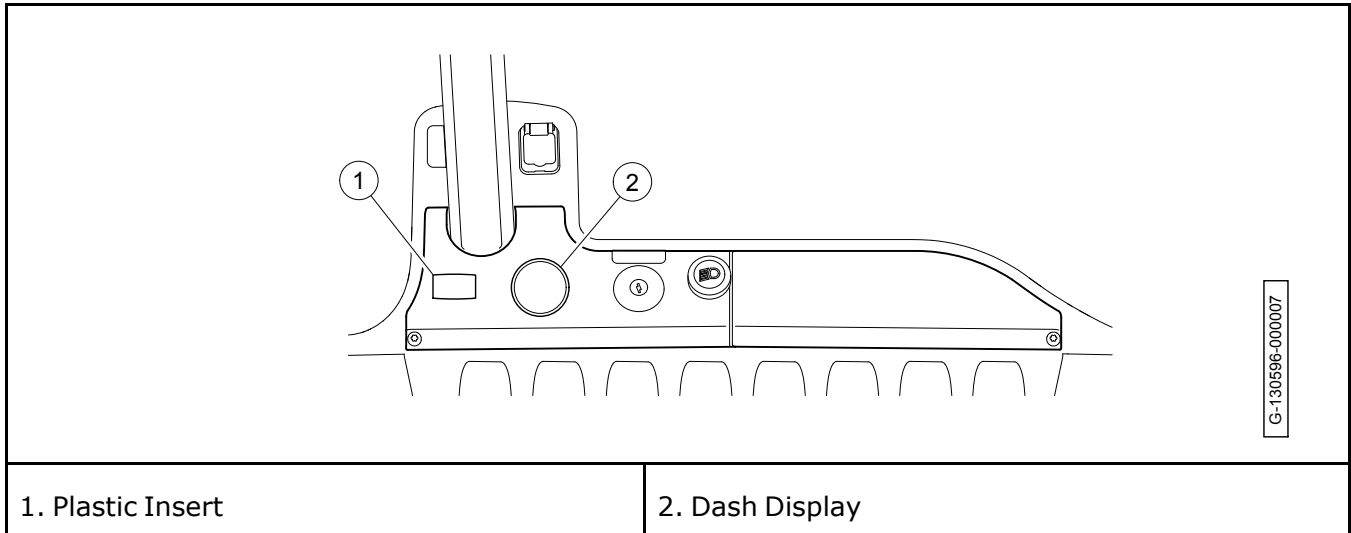
Speak with your dealer or distributor on how to correctly recycle lithium-ion batteries.



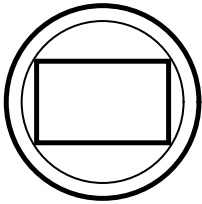
2

INDICATORS, GAUGES, AND DISPLAYS

INDICATOR, GAUGE, AND DISPLAY LOCATIONS



DASH DISPLAY


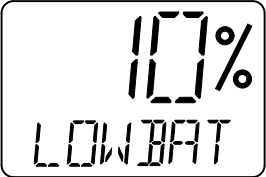
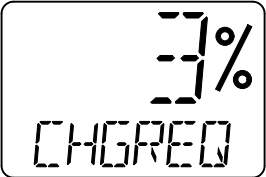

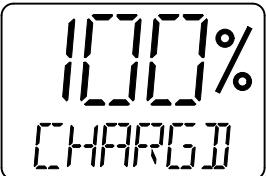







The dash display gives a visual indication of:



- The battery state of charge (SOC)
- Forward / Neutral / Reverse control (FNR) position
- Turn signal lever position
- Messages

The dash display operates when the key switch is set to ACC, ON, or when the battery is charging.

The backlight will dim when the headlight switch is on.

DISPLAY	DESCRIPTION
 <p style="text-align: center; font-size: small;">G-130592-000065</p>	<p>Battery state of charge (SOC)</p> <ul style="list-style-type: none"> • The dash display will show the SOC when the key switch is set to ACC, ON, or when the battery is charging. • 100% to 10% - SOC will show in 10% increments • Less than 10% - SOC will show in 1% increments
 <p style="text-align: center; font-size: small;">G-130592-000060</p>	<p>Battery SOC is 10% or less. Charge the battery as soon as possible.</p>
 <p style="text-align: center; font-size: small;">G-130592-000064</p>	<p>Battery SOC is 3% or less. The multi-purpose buzzer and headlights (if equipped) will operate three times. Immediately charge the battery.</p>
 <p style="text-align: center; font-size: small;">G-130592-000053</p>	<p>Battery is charging</p>
 <p style="text-align: center; font-size: small;">G-130592-000052</p>	<p>Battery is fully charged</p>

DISPLAY	DESCRIPTION
 <p style="text-align: center;"><small>G-130592-000055</small></p>	FNR is set to N
 <p style="text-align: center;"><small>G-130592-000056</small></p>	FNR is set to F
 <p style="text-align: center;"><small>G-130592-000057</small></p>	FNR is set to R
 <p style="text-align: center;"><small>G-130592-000058</small></p>	Left turn signal is on
 <p style="text-align: center;"><small>G-130592-000059</small></p>	Right turn signal is on

DISPLAY	DESCRIPTION
 <p style="text-align: center; font-size: small;">G-130692-000054</p>	<p>The Run/Tow-Stow switch is set to TOW-STOW</p>
 <p style="text-align: center; font-size: small;">G-130692-000067</p>	<p>Vehicle Fault. The vehicle may go into limp mode or not operate. Speak with your local dealer or distributor.</p>

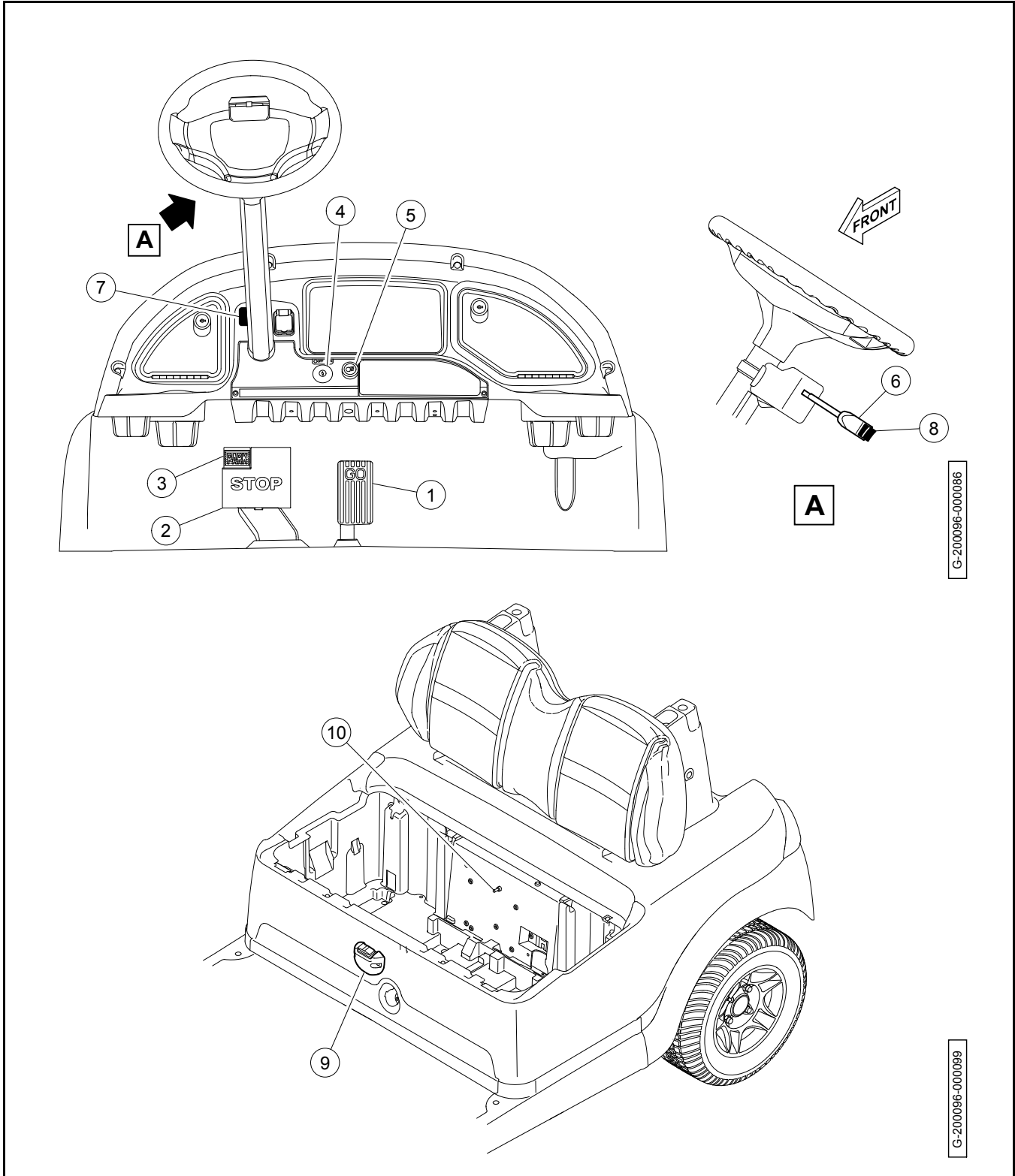
(Page intentionally left blank.)



3

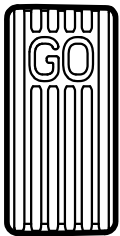
VEHICLE CONTROLS

VEHICLE CONTROLS LOCATOR



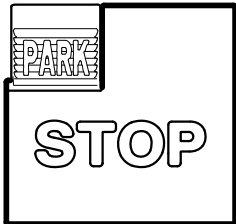
1. Accelerator Pedal	2. Brake Pedal
3. Park Brake	4. Key Switch
5. Headlight Switch	6. Turn Signal Lever
7. Hazard Lights Switch	8. Horn Button
9. Forward / Neutral / Reverse Control (FNR)	10. Run/Tow-Stow Switch

ACCELERATOR PEDAL



The accelerator pedal is used to increase and maintain the speed of the vehicle.

BRAKE PEDAL

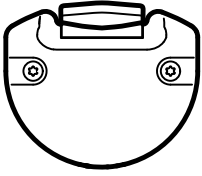


The brake pedal is used to decrease speed or stop the vehicle.

FORWARD / NEUTRAL / REVERSE CONTROL



FAILURE TO STOP THE VEHICLE BEFORE SHIFTING THE FORWARD / NEUTRAL / REVERSE CONTROL (FNR) CAN CAUSE PROPERTY DAMAGE AND SERIOUS PERSONAL INJURY. STOP THE VEHICLE BEFORE SHIFTING THE FORWARD / NEUTRAL / REVERSE CONTROL (FNR).

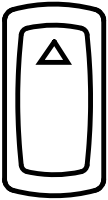


The Forward / Neutral / Reverse control (FNR) sets the direction of vehicle movement.

Stop the vehicle to change the FNR position.

POSITION	FUNCTION
F	Forward
N (Center)	Neutral
R	Reverse

HAZARD LIGHT SWITCH



The hazard light switch controls the operation of the hazard lights.

POSITION	FUNCTION
Top	On
Bottom	Off

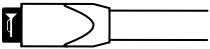
HEADLIGHT SWITCH



The headlight switch controls the operation of the headlights.

POSITION	FUNCTION
Out	On
In	Off

HORN

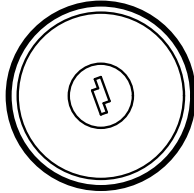


The horn button is used to control the horn. The horn button is spring loaded to stay in the off position. Push and hold the horn button to operate the horn.

KEY SWITCH

 **WARNING**

THE KEY SWITCH CAN BE USED TO STOP THE VEHICLE IN AN EMERGENCY. DO NOT BREAK OFF KEYS IN THE KEY SWITCH.



The key switch controls the motor and electrical system. A key is used to select the key switch position. The key can only be inserted or removed when the key switch is set to OFF.

POSITION	CONDITION
OFF	<p>Normal position when the vehicle is not in use.</p> <p>Electrical power from the battery is not available to power the motor or electrical systems.</p> <p><i>Note:</i> Some electrical accessories operate independently of the key switch.</p>
ON	<p>Normal position when the vehicle is in use.</p> <p>After 30 minutes of no accelerator pedal operation, the vehicle will turn off. To turn the vehicle back on, turn the key to OFF, then ON.</p> <p><i>Note:</i> The timeout setting can be changed. Speak with your local dealer or distributor.</p>
ACC	<p>Electrical power from the battery is available to power some electrical components. No electrical power is available to power the motor.</p> <p>After 15 minutes, the vehicle will turn off.</p> <p><i>Note:</i> The timeout setting can be changed. Speak with your local dealer or distributor.</p>

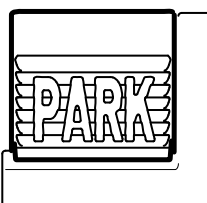
PARK BRAKE



WARNING

FAILURE TO ENGAGE THE PARK BRAKE CAN CAUSE PROPERTY DAMAGE AND SERIOUS PERSONAL INJURY. AFTER THE VEHICLE STOPS, ENGAGE THE PARK BRAKE UNTIL IT IS FULLY ENGAGED AND PREVENTS THE VEHICLE FROM MOVING.

UNINTENDED VEHICLE OPERATION CAN CAUSE SERIOUS PERSONAL INJURY OR DEATH. THE PARK BRAKE WILL RELEASE AUTOMATICALLY WHEN THE ACCELERATOR OR BRAKE PEDAL IS PUSHED. PREVENT ACCIDENTAL ACCELERATOR OR BRAKE PEDAL ACTUATION.



The park brake is a variable position control that is used to make sure that a vehicle does not move while parked.

To disengage the park brake, push the accelerator or brake pedal.

RUN/TOW-STOW SWITCH

WARNING

UNINTENDED VEHICLE MOVEMENT CAN CAUSE SERIOUS PERSONAL INJURY OR DEATH. WHEN THE RUN/TOW-STOW SWITCH IS IN THE TOW POSITION, ALL MOTOR BRAKING FUNCTIONS, INCLUDING WALK-AWAY BRAKING, ARE DISABLED.

**TOW / STOW**

The Run/Tow-Stow switch is used during towing, maintenance, or extended storage. Set the switch to RUN for normal operation. Set the switch to TOW/STOW for maintenance, extended storage, or when towed.

Wait 10 seconds before vehicle operation when the switch is set from TOW/STOW to RUN.

Do not quickly operate the switch from RUN to TOW/STOW and back to RUN. Wait 10 seconds to set the switch to RUN.

Vehicle operation in RUN:

- The vehicle will go into deep sleep mode when the state of charge (SOC) is 0%. Immediately charge the vehicle.

Note: All power will turn off in deep sleep mode.

- Connected to a battery charger.
 - The battery will charge to 100%.
 - The vehicle will go into sleep mode after five minutes if AC power is disconnected.

Note: The 12V system will still operate in sleep mode.

- The battery will start to charge when AC power is connected.

Vehicle operation in TOW/STOW:

- If the SOC is greater than 75%, the battery will slowly discharge to 75%. The vehicle will then go into deep sleep mode.
- If the SOC is 75% or less, the vehicle will go into deep sleep mode.

POSITION	FUNCTION
RUN	<ul style="list-style-type: none"> • Normal Operation
TOW/STOW	<ul style="list-style-type: none"> • Remove the high voltage interlock fuse. • Install the high voltage interlock fuse. • To do vehicle maintenance. • Put the vehicle into extended storage. • To tow the vehicle.

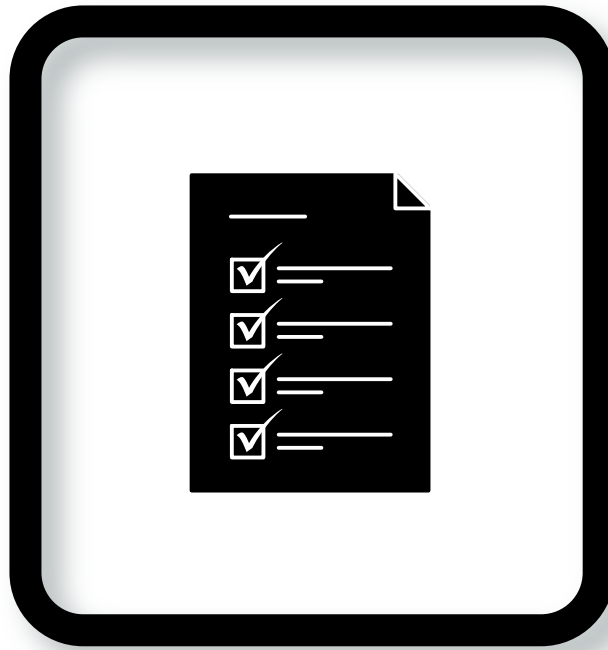
TURN SIGNAL LEVER



The turn signal lever controls the operation of the turn signal lights. The turn signal light will flash when turned on.

POSITION	FUNCTION
Down	Left
Center	Off
Up	Right

(Page intentionally left blank.)



4

VEHICLE FEATURES

The vehicle features listed are standard and optional.

FOLD-DOWN REAR SEAT

The fold-down rear seat is for two additional passengers and increased cargo space.

OFF PEAK CHARGING

The vehicle charging start and stop times are programmable. Off peak charging uses the vehicles internal clock which is also programmable. To enable off peak charging, speak with your local dealer or distributor.

Make sure that the key switch is set to OFF or ON.

Note: If the key switch is set to ACC, the vehicle will immediately begin to fully charge.

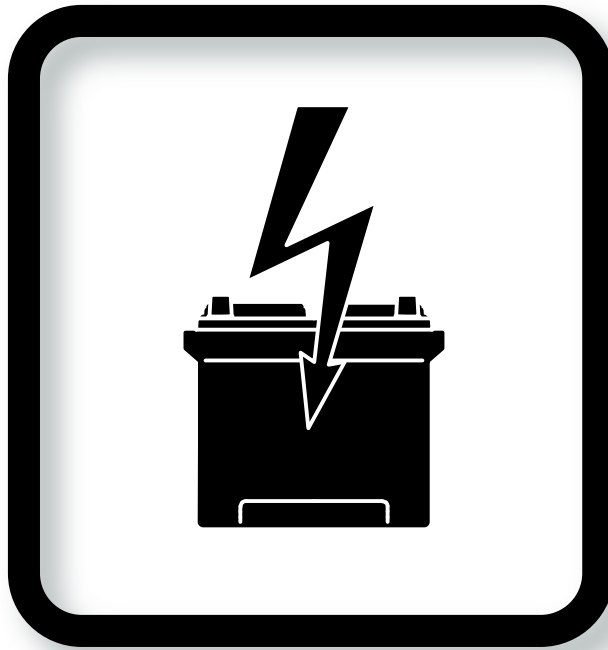
Note: When the DC cord is connected, the battery will charge for 20 to 30 seconds to do a system check. After 20 to 30 seconds, the charger will turn off until the set start time.

USB RECEPTACLE

The 5-volt, 2.1-amp USB receptacle supplies electricity to power and charge portable devices. The USB receptacle is not for the movement of data.

The USB receptacle will only operate when a shielded USB cord is connected. When the USB receptacle is not in use, remove the shielded USB cord to prevent battery discharge.

The USB receptacle will continue to operate when the key switch is set to OFF according to the Walkaway Braking state of charge (SOC) table.



5

BATTERY CHARGER

⚠ DANGER

A BATTERY CHARGER, CORD, PLUG, OR VEHICLE CHARGER RECEPTACLE THAT HAS DAMAGE OR A BAD ELECTRICAL CONNECTION CAN CAUSE A FIRE, PROPERTY DAMAGE, SERIOUS PERSONAL INJURY, OR DEATH. DO NOT CONNECT THE DAMAGED BATTERY CHARGER TO AN AC POWER SOURCE. DO NOT TRY TO REPAIR THE BATTERY CHARGER, CORD, PLUG, OR VEHICLE CHARGER RECEPTACLE. SPEAK WITH YOUR LOCAL DEALER OR DISTRIBUTOR FOR REPAIRS.

⚠ WARNING

CONNECTION OF THE AC CORD TO AN INCORRECT RECEPTACLE CAN CAUSE A FIRE, ELECTRICAL SHOCK, PROPERTY DAMAGE, SERIOUS PERSONAL INJURY, OR DEATH. DO NOT USE AN ADAPTER TO CONNECT THE AC CORD INTO A TWO-PRONG POWER SOURCE. CONNECT THE AC CORD TO AN APPROVED POWER SOURCE AND RECEPTACLE.

LIQUID ON THE BATTERY CHARGER CAN CAUSE PROPERTY DAMAGE, ELECTRICAL SHOCK, SERIOUS PERSONAL INJURY, OR DEATH. DO NOT LET THE BATTERY CHARGER BECOME WET. KEEP THE BATTERY CHARGER DRY.

INTRODUCTION

There are two battery charger options:

- IC650 - Standard battery charger included with the vehicle.
- IC900 - Optional battery charger that can charge the battery faster. Speak with your local dealer or distributor for more information.

The battery charger is a high-frequency charger that includes many benefits:

CONNECTED	<ul style="list-style-type: none"> • CAN communication between the VCM and battery charger. • Two-way data communication through a USB receptacle. • Update the charger with the latest charge algorithm. • Collect status and condition data for charger monitoring.
EFFICIENT	<ul style="list-style-type: none"> • 93.5% peak, California Energy Commission compliant. • 7.5 maximum AC amperage that lets two IC650 chargers operate on one 15-amp circuit. • Automatically checks and charges the battery. Allows the charger to be connected to the vehicle during extended storage.
INTELLIGENT	<ul style="list-style-type: none"> • Status indicator lights to identify AC power, state of charge, and faults. • Visual signal when charging starts.
RELIABLE	<ul style="list-style-type: none"> • Sealed aluminum housing prevents environmental contaminate damage to internal charger components. • Operates across a wide range of input voltage.

IC650 SPECIFICATIONS

MANUFACTURER INFORMATION

Manufacturer	Delta Q Technologies
Model Name	IC650
Model Number	IC650-048-COMM - with display panel

DIMENSION AND WEIGHT

Dimension	9.9 in (25.1 cm) length 7.3 in (18.5 cm) width 3.1 in (7.9 cm) height
Weight	5.3 lb (2.4 kg)

OPERATIONAL TEMPERATURE

Temperature Range	-40° F to 149° F (-40° C to 65° C)
-------------------	------------------------------------

AC INPUT

Voltage	85 to 270 VAC minimum/maximum 100 to 240 VAC maximum efficiency range
Current	7.5 A maximum
Frequency	50 to 60 Hz

DC OUTPUT

Voltage	48 VDC nominal 72 VDC maximum
Current	13.5 A maximum

IC900 SPECIFICATIONS

MANUFACTURER INFORMATION

Manufacturer	Delta Q Technologies
Model Name	IC900
Model Number	IC900-048-COMM

DIMENSION AND WEIGHT

Dimension	13.2 in (33.5 cm) length 7.0 in (17.9 cm) width 4.0 in (10.2 cm) height
Weight	9.6 lb (4.4 kg)

OPERATIONAL TEMPERATURE

Temperature Range	-40° F to 149° F (-40° C to 65° C)
-------------------	------------------------------------

AC INPUT

Voltage	85 to 270 VAC minimum/maximum 100 to 240 VAC maximum efficiency range
Current	10.5 A maximum
Frequency	50 to 60 Hz

DC OUTPUT

Voltage	48 VDC nominal 72 VDC maximum
Current	20.0 A maximum

GOVERNMENTAL AND INDUSTRY CERTIFICATIONS

EUROPEAN CONFORMITY

The battery charger is European conformity (CE) certified per EU 2014/30/EU Electromagnetic Compatibility Directive, 2014/35/EU Low Voltage Equipment Directive, 2014/65/EU Restriction of Hazardous Substances Directive, LV Directives EN 60335-1:2012 and EN 60335-2-29:2004, and EMC Directives EN 61000-3-2: 2014, EN 61000-3-3: 2013, EN 61000-6-2: 2005, EN 61000-6-4: 2007.

FEDERAL COMMUNICATIONS COMMISSION

The battery charger is Federal Communications Commission (FCC) certified.

Note: This equipment has been tested and found to comply with the limits for a Class A digital device, pursuant to Part 15 of the FCC Rules. These limits are designed to provide reasonable protection against harmful interference when the equipment is operated in an industrial environment. This equipment generates, uses, and can radiate radio frequency energy and, if not installed and used in accordance with the instruction manual, may cause harmful interference to radio communications. Operation of this equipment in a residential area is likely to cause harmful interference in which case the user will be required to correct the interference at their own expense.

INTERNATIONAL PROTECTION MARKING

The battery charger has an International Protection Marking (IP) certification of IP66.

The battery charger enclosure has an International Protection Marking (IP) certification of IP46.

The battery charger USB receptacle with the dust cover has an International Protection Marking (IP) certification of IP66.

The AC supply connector has an International Protection Marking (IP) certification of IP20.

Note: The AC supply connector is applicable for indoor use only. Keep all AC connections clean and dry.

UNDERWRITERS LABORATORIES AND CANADIAN STANDARDS ASSOCIATION

Listed by Underwriters Laboratories (UL) and Canadian Underwriters. Meets the criteria of the Canadian Standards Association (CSA).

FEATURES

AC ELECTRICAL CORD AND PLUG

The AC electric cord has an equipment-grounding conductor and grounding type plug. The AC plug must be connected to a correctly rated ground fault circuit interrupter (GFCI) receptacle with arc flash protection. The receptacle must be installed and grounded in accordance with the National Electrical Code, local codes, and local ordinances.

Two IC650 battery chargers can be on a single phase branch circuit protected by a 15A circuit breaker or fuse.

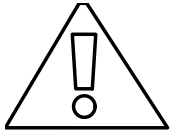


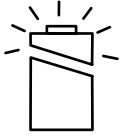


Only one IC900 battery charger can be on a single phase branch circuit protected by a 15A circuit breaker or fuse.

Use of an extension cord with the charger is not recommended. Precautions when the use of an extension cord is necessary:

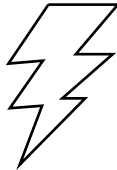

- The extension cord must accept a three-prong plug.
- The extension cord must be as short as possible and not exceed 12 ft (3.7 m).
- The extension cord must be a three-wire No. 12-AWG (American Wire Gauge) or No. 14-SWG (British Standard Wire Gauge).
- Make sure that cords will not be stepped on, tripped over, or subject to damage or stress.

STATUS INDICATOR LIGHTS

The status indicator lights give the AC power availability, charge status, and charger condition.

SYMBOL		STATUS	CONDITION
 <small>G-130892-000001</small>		Red (Constant)	Charger fault condition. See the display panel for more information.
		Orange (Flash On And Off)	External fault condition. See the display panel for more information.
		Green (Flash On And Off)	The USB receptacle is on. Do not remove the USB flash drive.
		Green (Constant)	Safe to remove the USB flash drive.
		Green (Constant)	Charging is complete. The battery is fully charged.
		Green (Flash On And Off)	Charging. The battery SOC is above 80%.
		Green (Constant)	
		Off	Charging. The battery SOC is below 80%.
		Green (Flash On And Off)	
			Blue (Constant)

The table below is for battery chargers with a display panel.

SYMBOL	STATUS	CONDITION
	Yellow (Constant)	The charger output is on. There is a risk of electric shock.
Display Panel 	F code	Internal fault condition caused the charge process to stop. Speak with your dealer or distributor.
	E code	External fault condition caused the charge process to stop. Speak with your dealer or distributor.
	P code	The charger program mode is in operation.
	USB code	The USB receptacle is on. Do not remove the USB flash drive.

BATTERY CHARGING INTERLOCK

External Battery Charger: The battery charging interlock is a safety feature that prevents possible damage to the battery charger and vehicle. The battery charging interlock will automatically engage when the DC cord is connected to the vehicle. The vehicle will not operate when the DC cord is connected.

Note: The AC cord does not have to be connected for the battery charging interlock to operate.

Onboard Battery Charger: The battery charging interlock is a safety feature that prevents possible damage to the battery charger and vehicle. The battery charging interlock will automatically engage when the AC cord is connected to a power source. The vehicle will not operate when the AC cord is connected.

EXTERNAL BATTERY CHARGER MOUNTING



IF THE BATTERY CHARGER IS NOT CORRECTLY ATTACHED, IT CAN FALL AND CAUSE PROPERTY DAMAGE AND SERIOUS PERSONAL INJURY. DO NOT HANG THE BATTERY CHARGER BY ITS HANDLE OR CORD. CORRECTLY ATTACH THE BATTERY CHARGER.

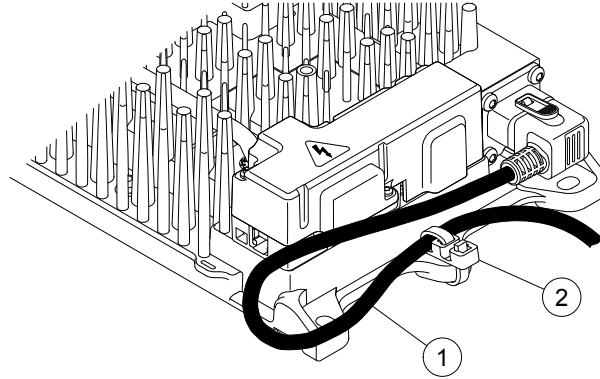
Note: This section is applicable to an external battery charger. The onboard battery chargers are installed on the vehicle.

Mount the external battery charger in a position that gives it sufficient airflow and the indicator lights are visible.

A strain relief and drip loop is necessary to prevent damage to the charger. The strain relief prevents tension on the AC plug. The drip loop prevents water damage to the AC plug.

HOW TO MAKE STRAIN RELIEF AND DRIP LOOP

1. Connect the AC cord (1) into the AC plug.



G-130898-000075

2. Supply sufficient AC cord to make a drip loop and strain relief.
3. Secure the AC cord to the battery charger with a plastic cable tie (2).

INSPECTION AND MAINTENANCE

ELECTRICAL CORDS

Examine electrical cords for wear and damage before use. Immediately replace electrical cords for:

- Cracks
- Cuts
- Frayed wiring
- Insulation damage
- Loose connections
- Splices

Make sure that the DC electrical cord has the warning tag attached. Make sure that the warning tag has no damage and all words can be read. Replace a missing or damaged warning tag immediately.

ELECTRICAL PLUGS AND RECEPTACLES

NOTICE

IF THE PLUG PINS ARE BENT, SPEAK WITH YOUR LOCAL DEALER OR DISTRIBUTOR FOR REPAIRS. DO NOT TRY TO REPAIR THE AC CORD PLUG OR PINS.

Examine electrical plugs for wear and damage before use. Immediately replace electrical plugs for:

- Bent pins
- Corrosion
- Cracks

- Loose connections
- Missing pins
- Worn pins

CLEAN THE ELECTRICAL PLUGS AND RECEPTACLES



LUBRICATING THE PLUG AND RECEPTACLE WITH THE AC CORD CONNECTED TO A POWER SOURCE CAN CAUSE PROPERTY DAMAGE, ELECTRICAL SHOCK, SERIOUS PERSONAL INJURY, AND DEATH. DO NOT LUBRICATE THE PLUG AND VEHICLE CHARGER RECEPTACLE WITH THE AC CORD CONNECTED TO A POWER SOURCE.

1. Disconnect the AC cord from the power source.
2. Disconnect the AC cord from the battery charger.
3. Disconnect the DC cord from the vehicle charger receptacle.
4. Apply electrical contact cleaner to the electrical plugs and receptacles. Refer to the manufacturer instructions.
5. Clean the electrical plugs and receptacles.
6. Lightly lubricate the electrical plugs and receptacles with WD-40®.

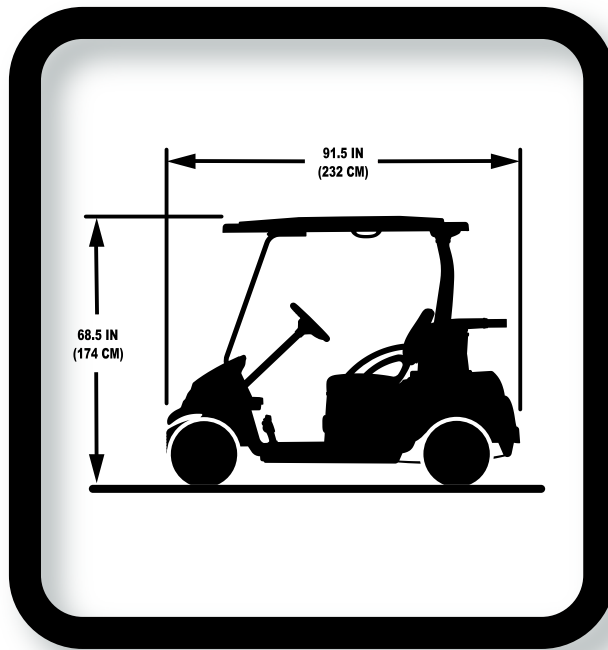
BATTERY CHARGER USB RECEPTACLE

The USB receptacle can have intermittent connectivity because of environmental contaminates. Always install the USB dust cover to protect the USB receptacle.

CLEAN THE USB RECEPTACLE

1. Disconnect the DC cord from the vehicle charger receptacle.
2. Disconnect the AC cord from the power source.
3. Carefully remove large contaminates.
4. Use compressed air in short intervals to remove dust and smaller contaminates.
5. Clean the port with a cotton swab and rubbing alcohol or electronics cleaner solvent. Let the alcohol or solvent dry.
6. If contamination continues, apply dielectric grease to the USB receptacle.
7. Install the USB dust cover.

(Page intentionally left blank.)



6

VEHICLE SPECIFICATIONS

DIMENSIONS

Length	114 in (289.5 cm)
Width	49.5 in (125.7 cm)
Height	54.5 in (138.4 cm) - at steering wheel 80.5 in (204.4 cm) - with canopy
Ground Clearance	6.4 in (16.2 cm)
Wheel Track	40.75 in (103.5 cm) - front wheel 39.5 in (100.3 cm) - rear wheel
Wheel Base	67.5 in (171.4 cm)

PERFORMANCE

Forward Speed (On Level Ground)	19 mph (30 km/h)
Turning Radius (SAE J695)	Unknown At Time Of Print
Intersecting Aisle Clearance	Unknown At Time Of Print
Curb-To-Curb	Unknown At Time Of Print
Wall-To-Wall	Unknown At Time Of Print
Outside Clearance Circle (Diameter)	236 in (599.4 cm)

TIRES

Go to the approved wheel and tire assemblies matrix on <http://www.clubcar.com> for information regarding tire type, inflation pressure, and lugnut torque.

ELECTRIC MOTOR

Motor Type	30V AC motor
Motor Horsepower Rating	4.7 hp (3.5 kW)

BATTERY

Battery Type	58V Lithium-Ion
Battery Quantity	1

NOISE AND VIBRATION

Drive-by Noise Level To Operator (EN 12053-2001)	71.4 dBA (± 1.5)
Vibration At Driver's Seat (EN 13059-2002)	0.3 (m/s ²) ² (± 0.015)

TRANSAXLE

Fluid Capacity	22 fl-oz (0.67 l)
----------------	-------------------

VEHICLE WEIGHTS AND LOAD CAPACITIES

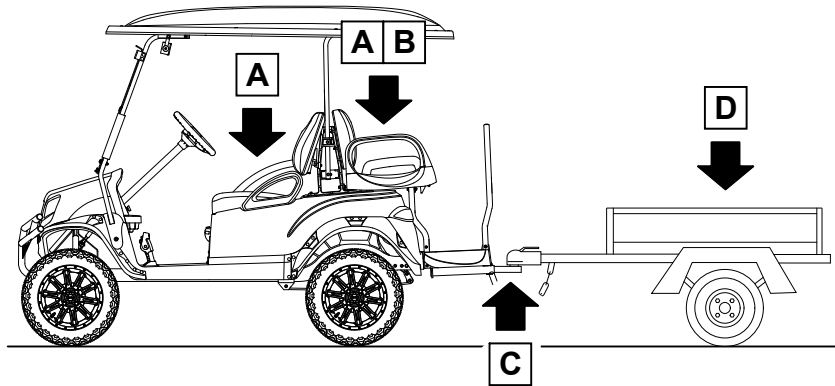


WARNING

IF THE RATED CAPACITIES OF THE VEHICLE ARE EXCEEDED, PROPERTY DAMAGE, SERIOUS PERSONAL INJURY, OR DEATH CAN OCCUR. DO NOT EXCEED THE RATED CAPACITY OF THE VEHICLE. RATED CAPACITY IS FOR LEVEL SURFACES ONLY.

TOO MUCH WEIGHT IN THE VEHICLE CAN AFFECT THE VEHICLES HANDLING, OR CAUSE COMPONENT FAILURE, RESULTING IN LOSS OF CONTROL OF VEHICLE AND SERIOUS PERSONAL INJURY. DO NOT EXCEED THE VEHICLE LOAD CAPACITIES.

DO NOT TOW WHEN THE CARGO CAPACITY IS EXCEEDED.



Description	Weight
Vehicle Dry Weight	768 lb (348.3 kg)
Vehicle Curb Weight	881 lb (399.6 kg)
Maximum Occupant Capacity (A)	800 lb (363 kg)

Description	Weight
Maximum Cargo Capacity (B)	150 lb (68 kg)
Maximum Trailer Tongue Weight (C)	150 lbf (667 N)
Maximum Gross Trailer Weight (D)	600 lb (272 kg)
Vehicle Rated Capacity	800 lb (363 kg)
Vehicle Combination Rated Capacity	800 lb (363 kg)
Maximum Gross Vehicle Weight	1681 lb (762.4 kg)
Maximum Gross Vehicle Combination Weight	1681 lb (762.4 kg)

TERM	DEFINITION
Vehicle Dry Weight	The vehicle dry weight is the weight of the vehicle with no battery.
Vehicle Curb Weight	The vehicle curb weight is the weight of the vehicle with the battery installed.
Maximum Occupant Capacity	The occupant capacity is the maximum permitted weight of occupants to operate the vehicle safely.
Maximum Cargo Capacity	The cargo capacity is the maximum weight of a load that the vehicle can have in the cargo area. The cargo capacity includes the weight of optional equipment.
Maximum Trailer Tongue Weight	The trailer tongue weight is the maximum permitted weight applied by the trailer tongue onto the trailer hitch.
Maximum Gross Trailer Weight	The gross trailer weight is the trailer weight plus the weight of the load on the trailer.
Vehicle Rated Capacity	The vehicle rated capacity is the maximum weight on the vehicle. This capacity includes the weight of: bed load, cargo, occupants, and optional equipment.
Vehicle Combination Rated Capacity	The vehicle combination rated capacity is the maximum weight on the vehicle with a trailer. This capacity includes: vehicle rated capacity and the gross trailer weight.
Maximum Gross Vehicle Weight	The maximum gross vehicle weight is the vehicle weight plus the vehicle rated capacity.
Maximum Gross Vehicle Combination Weight	The maximum gross vehicle combination weight is the maximum gross vehicle weight plus the gross trailer weight.



7

VEHICLE OPERATION

WARNING

FALLING OBJECTS CAN CAUSE PROPERTY DAMAGE, SERIOUS PERSONAL INJURY, OR DEATH. DO NOT OPERATE THE VEHICLE WHERE THERE IS A RISK OF FALLING OBJECTS.

OPERATING THE VEHICLE WHILE OCCUPANTS ARE NOT FULLY SEATED CAN CAUSE SERIOUS PERSONAL INJURY OR DEATH. START THE VEHICLE ONLY WHEN ALL OCCUPANTS ARE FULLY SEATED.

DO NOT LET A PASSENGER HOLD A CHILD ON THEIR LAP WHILE THE VEHICLE IS IN OPERATION.

DO NOT LET PASSENGERS RIDE IN THE VEHICLE OR TRAILER BEING TOWED.

KEEP AWAY FROM DROP-OFFS, STEEP SLOPES, AND UNSTABLE SURFACES.

SUDDEN STARTS, STOPS, AND TURNS CAN CAUSE PROPERTY DAMAGE AND SERIOUS PERSONAL INJURY. PREVENT SUDDEN STARTS, STOPS, AND TURNS.

FAILURE TO CORRECTLY MAINTAIN THE VEHICLE AND MAKE NECESSARY REPAIRS CAN DECREASE VEHICLE PERFORMANCE, CAUSE A FIRE, PROPERTY DAMAGE, SERIOUS PERSONAL INJURY, OR DEATH. IF PROBLEMS ARE FOUND DURING SCHEDULED INSPECTION OR SERVICE, OPERATE THE VEHICLE ONLY WHEN REPAIRS ARE MADE.

MAKE SURE THAT ALL PASSENGERS CAN SECURE THEMSELVES IN THE VEHICLE BEFORE VEHICLE OPERATION.

TO PREVENT SERIOUS PERSONAL INJURY, KEEP ENTIRE BODY IN THE VEHICLE DURING OPERATION.

THE VEHICLE IS NOT SPECIALLY EQUIPPED FOR HANDICAPPED PERSONS. BEFORE VEHICLE OPERATION, MAKE SURE THAT ALL PERSONS COMPLY WITH THE WARNINGS AND OPERATING INSTRUCTIONS.

INCORRECT OPERATION OF THE VEHICLE CAN CAUSE DECREASED VEHICLE PERFORMANCE, PROPERTY DAMAGE, SERIOUS PERSONAL INJURY, OR DEATH.

TO PREVENT FALLS FROM THE VEHICLE, PASSENGERS MUST STAY SEATED AND ALWAYS HOLD ON TO HAND HOLDS OR HANDRAILS WHEN THE VEHICLE IS IN OPERATION. THE DRIVER MUST KEEP BOTH HANDS ON THE STEERING WHEEL WHEN THE VEHICLE IS IN OPERATION.

A SHARP TURN AT HIGH SPEEDS CAN CAUSE A ROLL-OVER OR FALLING OFF WHICH CAN RESULT IN PROPERTY DAMAGE, AND SERIOUS PERSONAL INJURY. OPERATE THE VEHICLE SLOWLY IN TURNS.

UNINTENDED VEHICLE OPERATION CAN CAUSE SERIOUS PERSONAL INJURY OR DEATH. BEFORE LEAVING THE VEHICLE OR DURING VEHICLE MAINTENANCE, DISABLE THE VEHICLE.

THE VEHICLE IS NOT DESIGNED TO MEET CHILD SAFETY SEAT COMPATIBILITY REQUIREMENTS. CHILDREN REQUIRING A CHILD SAFETY SEAT MUST NOT RIDE ON THE VEHICLE. COMPLY WITH STATE AND LOCAL LAWS PERTAINING TO CHILD SAFETY.

THIS VEHICLE IS NOT INTENDED FOR USE BY PERSONS, INCLUDING CHILDREN, WITH REDUCED PHYSICAL, SENSORY OR MENTAL CAPABILITIES, OR LACK OF EXPERIENCE AND KNOWLEDGE, UNLESS THEY HAVE BEEN GIVEN SUPERVISION OR INSTRUCTION CONCERNING USE OF THE VEHICLE BY A PERSON RESPONSIBLE FOR THEIR SAFETY. CHILDREN SHOULD BE SUPERVISED TO ENSURE THAT THEY DO NOT PLAY WITH THE VEHICLE.



OPERATE THE VEHICLE ONLY FROM THE DRIVERS SEAT.

OPERATE THE VEHICLE ONLY IN SPECIFIED AREAS.

ONLY AN AUTHORIZED LICENSED DRIVER CAN OPERATE THE VEHICLE.

ONLY OPERATE THE VEHICLE IN COMPLIANCE WITH LOCAL AND STATE LAWS.

USE CAUTION WHEN OPERATING THE VEHICLE IN THE PRESENCE OF HIGHER-SPEED VEHICLES, IN CONGESTED AREAS, OR ON UNIMPROVED SURFACES.

DAILY PRE-OPERATIONAL SAFETY AND PERFORMANCE CHECKS

OVERVIEW

Use the daily pre-operational checklist and vehicle performance inspection to inspect the operational condition and performance of the vehicle.

If a vehicle is found to be in bad operational condition, remove it from operation. Removal from operation will prevent more damage to the vehicle and prevent a serious injury.

If the vehicle is removed from operation, speak with your dealer or distributor for maintenance and repairs.

DAILY PRE-OPERATIONAL SAFETY CHECKLIST

INSPECTION AREA	INSPECTION CRITERIA
General	<ul style="list-style-type: none"> • Make sure that all parts are correctly installed. • Make sure that all nuts, bolts, and screws are tight. • Replace missing, worn, or damaged items.
Decals	<ul style="list-style-type: none"> • Make sure all safety, regulatory, and marketing decals are correctly installed. • Clean the decals with a soft moist cloth. • Replace missing, worn, or damaged decals.

INSPECTION AREA	INSPECTION CRITERIA
Tires	<ul style="list-style-type: none"> • Examine for wear and damage. • Replace worn or damaged tires. • Make sure that the tire pressure is correct.
Battery	<ul style="list-style-type: none"> • Make sure that the battery is fully charged. • Have a trained technician replace missing, worn, or damaged items.
Battery Charger	<ul style="list-style-type: none"> • Examine the electrical cords for cracks, loose connections, and frayed wires. • Examine receptacle contacts and plug terminals. Clean as necessary. • Replace missing, worn, or damaged items. • Make sure that the battery charger operates correctly.
Vehicle Performance Inspection	<ul style="list-style-type: none"> • Do a vehicle performance inspection.

VEHICLE PERFORMANCE INSPECTION

Before the vehicle performance inspection:

- Read and obey all safety decals and information located on the vehicle.
- Understand how to operate the vehicle correctly and safely.
- Understand the function of all vehicle controls, indicators, displays, and gauges.
- Front wheels are turned in the direction of travel.
- No obstructions are in the vehicle's path.

During the vehicle performance inspection:

- Listen for unusual noises such as squeaks or rattles.
- Examine the ride and performance of the vehicle.
- Examine the steering. The vehicle must be easy to steer and must not have play in the steering wheel.
- The vehicle must stop smooth and straight. The brake pedal must not be able to be pushed to the floorboard. Have a trained technician do a brake system check if:
 - The vehicle swerves.
 - The brake pedal goes more than half the distance to the floorboard with moderate pressure applied.
 - The vehicle does not stop.

To do the vehicle performance inspection:

1. Turn the key to ON.
2. Push and hold the brake pedal.
3. Set the Forward / Neutral / Reverse control (FNR) to R. Make sure that the multi-purpose buzzer operates.
4. Release the brake pedal.
5. Slowly push the accelerator pedal. Make sure the vehicle moves in reverse.
6. Slowly push the brake pedal. Stop the vehicle.
7. Set the FNR to F. Make sure that the multi-purpose buzzer does not operate.
8. Release the brake pedal.
9. Slowly push the accelerator pedal. Make sure that the vehicle moves forward.
10. Operate the vehicle to full speed.
11. Release the accelerator pedal. Make sure:
 - 11.A The accelerator pedal goes back to its initial position.
 - 11.B Make sure that the regenerative braking functions normally.
12. Slowly push the brake pedal. Stop the vehicle.
13. Park the vehicle on a level surface.
14. Disengage the park brake.
15. Try to push the vehicle to engage the walk-away braking. Walk-away braking is engaged when:
 - 15.A The multi-purpose buzzer operates.

Note: Regenerative braking operates and limits the vehicle speed to no more than 1 to 3 mph (1.6 to 4.8 km/h).
16. Stop the vehicle.
17. Park the vehicle on a grade of 20% or less. Make sure that the park brake holds the vehicles position.
18. Slowly push the accelerator pedal. Increase the vehicle to maximum speed down a grade of 20% or less.
19. Make sure regenerative braking engages at the maximum programmed speed and limits the vehicle to its maximum programmed speed.
20. Slowly push the brake pedal. Stop the vehicle. Make sure regenerative braking disengages when the vehicle speed is below the maximum programmed top speed.

VEHICLE MOVEMENT

OVERVIEW

Operate the vehicle only after you read, understand, and know:

- The Driving Instructions
- Indicators
- Gauges

- Displays
- Controls

MOTOR START

Before motor start:

- Read and obey all safety decals and information located on the vehicle.
- Understand how to operate the vehicle correctly and safely.
- Understand the function of all vehicle controls, indicators, displays, and gauges.
- Make sure that all passengers are seated and use the hand holds or handrails. The operator must have both hands on the steering wheel.
- Front wheels are turned in the direction of travel.
- No obstructions are in the vehicle's path.
- Forward / Neutral / Reverse control (FNR) is set to N.
- The park brake is set.
- The accelerator pedal is not pushed.
- The vehicle is at a full stop.

To start the motor:

1. Put the key into the key switch.
2. Turn the key to ON.
3. Set the FNR to F or R.
4. Push the accelerator pedal to start the motor.

TURN OFF MOTOR

1. Release the accelerator pedal.
2. Stop the vehicle.
3. Push and hold the brake pedal.
4. Set the Forward / Neutral / Reverse control (FNR) to N.
5. Turn the key to OFF.
6. Engage the park brake to lock the wheels.
7. Remove the key. Keep the key in a safe area.

FORWARD MOVEMENT



FAILURE TO DECREASE THE VEHICLE SPEED IN BAD DRIVING CONDITIONS CAN CAUSE PROPERTY DAMAGE, SERIOUS PERSONAL INJURY, OR DEATH. DECREASE THE VEHICLE SPEED WHEN IN BAD DRIVING CONDITIONS SUCH AS WET GRASS OR ROUGH TERRAIN.

Before forward movement:

- Read and obey all safety decals and information located on the vehicle.
- Understand how to operate the vehicle correctly and safely.
- Understand the function of all vehicle controls, indicators, displays, and gauges.
- Make sure that all passengers are seated with seat belts fastened (if equipped) and use the hand holds or handrails. The operator must have both hands on the steering wheel.
- Make sure that the front wheels are turned in the direction of travel.
- Make sure that there are no obstructions in the vehicles path.
- The key switch is set to ON.
- The vehicle is at a full stop.

To move the vehicle forward:

1. Set the Forward / Neutral / Reverse control (FNR) to F.
2. Disengage the park brake.
3. Slowly push the accelerator pedal.

REVERSE MOVEMENT



WARNING

FAILURE TO DECREASE THE VEHICLE SPEED WHEN IN REVERSE CAN CAUSE PROPERTY DAMAGE, SERIOUS PERSONAL INJURY, OR DEATH. DECREASE THE VEHICLE SPEED WHEN IN REVERSE AND PREVENT SUDDEN STOPS.

Before reverse movement:

- Read and obey all safety decals and information located on the vehicle.
- Understand how to operate the vehicle correctly and safely.
- Understand the function of all vehicle controls, indicators, displays, and gauges.
- Make sure that all passengers are seated with seat belts fastened (if equipped) and use the hand holds or handrails. The operator must have both hands on the steering wheel.
- Make sure that the front wheels are turned in the direction of travel.
- Make sure that there are no obstructions are in the vehicles path.
- The key switch is set to ON.
- The vehicle is at a full stop.

To move the vehicle in reverse:

1. Set the Forward / Neutral / Reverse control (FNR) to R. Make sure that the multi-purpose buzzer operates.
2. Disengage the park brake.
3. Slowly push the accelerator pedal.

SLOW OR STOP THE VEHICLE

1. Release the accelerator pedal.

2. Push the brake pedal.

PARK THE VEHICLE

1. Stop the vehicle.
2. Engage the park brake to prevent vehicle movement.
3. Set the Forward / Neutral / Reverse control (FNR) to N.
4. Turn the key to OFF.
5. Remove the key. Keep the key in a safe area.

DRIVING CONDITIONS

UNPAVED SURFACES

Precautions for operation on unpaved or unimproved surfaces:

- Decrease vehicle speed.
- Use extreme caution.

UPHILL SLOPE



VEHICLE ROLL-OVER CAN CAUSE SERIOUS PERSONAL INJURY OR DEATH. PREVENT STOPPING ON A HILL WHEN TOWING OR WITH A LOADED VEHICLE. IF A VEHICLE WITH A LOAD IS STOPPED ON A HILL, PREVENT SUDDEN STARTS, ROLLING BACKWARD, AND SUDDEN STOPS.

DO NOT USE THE ACCELERATOR PEDAL TO HOLD THE VEHICLE POSITION ON A SLOPE. WHEN STOPPED ON A SLOPE, USE THE BRAKE PEDAL TO HOLD THE VEHICLE POSITION.

TO PREVENT ROLL-OVER, OPERATE THE VEHICLE SLOWLY STRAIGHT UP AND DOWN SLOPES. DO NOT OPERATE THE VEHICLE ON SLOPES THAT ARE MORE THAN A 20% GRADE.

VEHICLE ROLLBACK WHEN STARTING ON AN INCLINE CAN CAUSE PROPERTY DAMAGE, SERIOUS PERSONAL INJURY, OR DEATH. USE THE BRAKE PEDAL TO HOLD THE VEHICLE UNTIL THE DRIVETRAIN IS FULLY ENGAGED.

Precautions when on an uphill slope:

- Prevent driving on slopes that exceed 20% grade.
- Always examine the terrain carefully before driving on a slope. Do not drive on a slope with slippery or loose surfaces.
- Keep your feet on the floorboard.
- Drive in a straight line on the slope.
- Prevent driving at an offset angle. An offset angle will cause the vehicle to lean sharply to one side.
- Continue at a stable rate of speed. Do not accelerate quickly.

- Do not stop a vehicle with a load on a slope. If a vehicle with a load must stop on a slope, prevent backwards movement or sudden starts or stops.
- Do not go over the top of a hill at high speed. Obstacles, sharp drop-offs, other vehicles, or persons could be on the other side of the hill.

SIDE HILL SLOPE

 **WARNING**

TO PREVENT ROLL-OVER, PROPERTY DAMAGE, AND SERIOUS PERSONAL INJURY, OPERATE THE VEHICLE SLOWLY ON A SLOPE.

VEHICLE ROLLBACK WHEN STARTING ON AN INCLINE CAN CAUSE PROPERTY DAMAGE, SERIOUS PERSONAL INJURY, OR DEATH. USE THE BRAKE PEDAL TO HOLD THE VEHICLE UNTIL THE DRIVETRAIN IS FULLY ENGAGED.

Vehicle operation on a side hill slope is not recommended.

Precautions if driving on a side hill slope is unavoidable:

- Prevent driving on slopes that exceed 10% grade.
- Decrease vehicle speed.
- Use extreme caution.
- Always examine the terrain carefully before driving on a slope. Do not drive on a slope with slippery or loose surfaces.
- Keep your feet on the floorboard.
- Continue at a stable rate of speed. Do not accelerate quickly.

DOWNHILL SLOPE

 **WARNING**

VEHICLE ROLL-OVER CAN CAUSE SERIOUS PERSONAL INJURY OR DEATH. PREVENT STOPPING ON A HILL WHEN TOWING OR WITH A LOADED VEHICLE. IF A VEHICLE WITH A LOAD IS STOPPED ON A HILL, PREVENT SUDDEN STARTS, ROLLING BACKWARD, AND SUDDEN STOPS.

TO PREVENT ROLL-OVER, OPERATE THE VEHICLE SLOWLY STRAIGHT UP AND DOWN SLOPES. DO NOT OPERATE THE VEHICLE ON SLOPES THAT ARE MORE THAN A 20% GRADE.

USE THE BRAKE PEDAL TO CONTROL THE VEHICLE SPEED WHEN DRIVING DOWN A SLOPE.

THE OPERATOR MUST CONTROL THE VEHICLE SPEED WHEN GOING DOWN A SLOPE.

VEHICLE ROLLBACK WHEN STARTING ON AN INCLINE CAN CAUSE PROPERTY DAMAGE, SERIOUS PERSONAL INJURY, OR DEATH. USE THE BRAKE PEDAL TO HOLD THE VEHICLE UNTIL THE DRIVETRAIN IS FULLY ENGAGED.

Precautions when on a downhill slope:

- Prevent driving on slopes that exceed 20% grade.
- Always examine the terrain carefully before driving on a slope. Do not drive on a slope with slippery or loose surfaces.

- Keep the heavy end of the vehicle uphill.
- Keep your feet on the floorboard.
- Drive in a straight line on the slope.
- Prevent driving at an offset angle. An offset angle will cause the vehicle to lean sharply to one side.
- Continue at a stable rate of speed. Do not accelerate quickly.
- Decrease the vehicle speed.
- Push the brake pedal gradually to slow the vehicle.

OVER OBSTACLES

Driving over obstacles is not recommended and should be avoided.

Precautions if driving over obstacles is unavoidable:

- Always examine the terrain for obstacles before driving in a new area.
- Look forward and learn to read the terrain. Be constantly alert for hazards.
- Drive slowly and use caution when operating on unfamiliar terrain. Not all obstacles are immediately visible.
- Do not drive over large obstacles such as large rocks and fallen trees.

BELOW OBSTACLES



DO NOT OPERATE THE VEHICLE BELOW OBJECTS WITH A HEIGHT THAT IS LESS THAN THE HEIGHT OF THE VEHICLE.

Driving below obstacles is not recommended.

Precautions if operation below obstacles is unavoidable:

- Always examine the terrain for obstacles before driving in a new area.
- Look forward and learn to read the terrain. Be constantly alert for low hanging obstacles such as tree limbs.
- Drive slowly and use caution when operating on unfamiliar terrain. Not all obstacles are immediately visible.

NIGHT TIME



OPERATING THE VEHICLE AT NIGHT WITHOUT THE CORRECT EQUIPMENT CAN CAUSE PROPERTY DAMAGE, SERIOUS PERSONAL INJURY, OR DEATH. TO OPERATE THE VEHICLE AT NIGHT, THE VEHICLE MUST HAVE HEADLIGHTS, TAILLIGHTS, AND REFLECTORS.

Vehicle operation at night is not recommended. When driving at night is unavoidable, the vehicle must have:

- Headlights
- Taillights
- Reflectors

Precautions if driving at night is unavoidable:

- Always have headlights on.
- Always examine the terrain for obstacles before driving in a new area.
- Look forward and learn to read the terrain. Be constantly alert for hazards.
- Drive slowly and use caution when operating on unfamiliar terrain. Not all obstacles are immediately visible.

THROUGH WATER



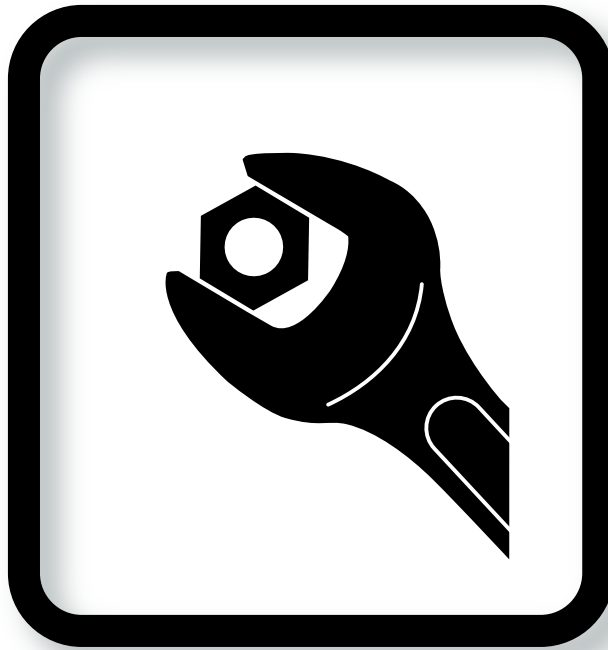
DRIVING THROUGH WATER CAN DECREASE BRAKE PERFORMANCE. AFTER DRIVING THROUGH WATER, LIGHTLY PUSH THE BRAKE PEDAL TO CHECK THE BRAKE PERFORMANCE. IF THE VEHICLE SPEED DOES NOT DECREASE AT A NORMAL RATE, CONTINUE TO PUSH THE BRAKE PEDAL UNTIL THE BRAKE PERFORMANCE IS BACK TO NORMAL.

Vehicle operation through water is not recommended and should be avoided.

Precautions when driving through water is unavoidable:

- Decrease the vehicle speed.
- Use extreme caution.
- Do not drive through water that is more than 3 inches (7.62 cm) deep.

(Page intentionally left blank.)



8

VEHICLE MAINTENANCE

⚠ DANGER

A WHEEL OR TIRE THAT HAS DAMAGE CAN CAUSE PROPERTY DAMAGE, SERIOUS PERSONAL INJURY, OR DEATH. DO NOT TRY TO REPAIR A WHEEL OR TIRE. SPEAK WITH YOUR LOCAL DEALER OR DISTRIBUTOR FOR REPAIRS.

⚠ WARNING

UNINTENDED VEHICLE OPERATION CAN CAUSE SERIOUS PERSONAL INJURY OR DEATH. BEFORE LEAVING THE VEHICLE OR DURING VEHICLE MAINTENANCE, DISABLE THE VEHICLE.

ONLY TRAINED TECHNICIANS SHOULD SERVICE OR REPAIR THE VEHICLE. ANYONE DOING EVEN SIMPLE REPAIRS OR SERVICE SHOULD HAVE KNOWLEDGE AND EXPERIENCE IN ELECTRICAL AND MECHANICAL REPAIR. THE APPROPRIATE INSTRUCTIONS MUST BE USED WHEN PERFORMING MAINTENANCE, SERVICE, OR ACCESSORY INSTALLATION.

FAILURE TO CORRECTLY MAINTAIN THE VEHICLE AND MAKE NECESSARY REPAIRS CAN DECREASE VEHICLE PERFORMANCE, CAUSE A FIRE, PROPERTY DAMAGE, SERIOUS PERSONAL INJURY, OR DEATH. IF PROBLEMS ARE FOUND DURING SCHEDULED INSPECTION OR SERVICE, OPERATE THE VEHICLE ONLY WHEN REPAIRS ARE MADE.

DO NOT WORK ON THE VEHICLE POWERTRAIN WHEN THE VEHICLE IS LOADED.

ELECTRICAL SHORTS CAN CAUSE A FIRE, ELECTRICAL SHOCK, SERIOUS PERSONAL INJURY, OR DEATH. PREVENT CONTACT BETWEEN POSITIVE VOLTAGE AND THE GROUND CIRCUIT. USE INSULATED TOOLS.

DO NOT WEAR LOOSE CLOTHING OR JEWELRY SUCH AS RINGS, WATCHES, CHAINS, ETC., WHEN SERVICING THE VEHICLE OR BATTERY CHARGER.

LIFT ONLY ONE END OF THE VEHICLE AT A TIME. USE A SUITABLE LIFTING DEVICE WITH 1000 LB (454 KG) MINIMUM LIFTING CAPACITY. DO NOT USE THE LIFTING DEVICE TO HOLD THE VEHICLE IN THE LIFTED POSITION. USE APPROVED JACK STANDS OF PROPER WEIGHT CAPACITY TO SUPPORT THE VEHICLE AND CHOCK THE WHEELS THAT REMAIN ON THE FLOOR.

IF WIRES ARE REMOVED OR REPLACED, MAKE SURE THAT THE WIRING AND WIRE HARNESS ARE CORRECTLY ROUTED AND ATTACHED. FAILURE TO CORRECTLY ROUTE AND ATTACH THE WIRING COULD RESULT IN VEHICLE MALFUNCTION, PROPERTY DAMAGE, SERIOUS PERSONAL INJURY, OR DEATH.

⚠ CAUTION

WEAR SAFETY GLASSES OR APPROVED EYE PROTECTION WHEN YOU DO THE SERVICING OF THE VEHICLE. WEAR RUBBER GLOVES WHEN NEAR THE BATTERY.

DISABLE THE VEHICLE

⚠ WARNING

UNINTENDED VEHICLE OPERATION CAN CAUSE SERIOUS PERSONAL INJURY OR DEATH. BEFORE LEAVING THE VEHICLE OR DURING VEHICLE MAINTENANCE, DISABLE THE VEHICLE.

1. Park the vehicle on a solid level surface.
2. Engage the park brake to prevent vehicle movement.
3. Turn the key to OFF.
4. Remove the key.
5. Set the Forward / Neutral / Reverse control (FNR) to N.
6. Put the chocks against the wheels.

VEHICLE CLEANING

CLEANING THE WINDSHIELD

Use a soft towel and water to clean the windshield. Use mild soap as necessary. Do not use a household window cleaner.

CLEANING THE VEHICLE EXTERIOR

NOTICE

MOISTURE CAN CAUSE ELECTRICAL COMPONENT DAMAGE. DO NOT USE A PRESSURE WASHER OR STEAM CLEANER TO CLEAN THE VEHICLE.

Use only commercially available automotive cleaners with a sponge or soft cloth for normal cleaning. A garden hose at normal residential water pressure is sufficient.

Use a commercially available aluminum cleaner paste and fine grade (No. 00) steel wool to remove oxidation or discoloration from aluminum.

Use non-abrasive wax products. Fertilizers, tars, asphalt, creosote, paint, or chewing gum should be removed immediately to prevent possible stains.

Discard the waste water correctly.

CLEANING THE VEHICLE INTERIOR

NOTICE

MOISTURE CAN CAUSE ELECTRICAL COMPONENT DAMAGE. DO NOT USE A PRESSURE WASHER OR STEAM CLEANER TO CLEAN THE VEHICLE.

The seats of the vehicle will last longer with proper cleaning. Use a solution of 10% liquid soap and warm water applied with a soft cloth. Use a soft bristle brush to remove embedded dirt.

Discard the waste water correctly.

MAINTENANCE SCHEDULE

MAINTENANCE SCHEDULE OVERVIEW

A preventive maintenance program with regular maintenance can prevent excessive vehicle downtime and repair costs. Use these items to keep the vehicle in proper working condition.

- Daily Pre-Operation Safety Checklist
- Vehicle Performance Inspection
- Maintenance Service Schedule

If a vehicle is found to be in bad operational condition, remove it from operation. Removal from operation will prevent more damage to the vehicle and prevent the possible injury because of dangerous conditions.

Speak with your dealer or distributor for maintenance and repairs.

MAINTENANCE SERVICE SCHEDULE

Note: The Maintenance Service Schedule must be done more frequently on vehicles that are constantly subjected to heavy use or severe operating conditions.

INTERVAL OR HOURS (WHICHEVER COMES FIRST)	DESCRIPTION
Daily	Do the Daily Pre-Operational Safety Check. Do the Daily Vehicle Performance Inspection.
	Charge the battery.
	Examine the dynamic braking resistor. Clean as necessary.
Monthly	Do a tire pressure check. Adjust pressure if necessary.
	Clean the vehicle.
6 months / 50 hours	Use WD-40® to lubricate the battery charger receptacle.
	Have a trained technician: <ul style="list-style-type: none"> • examine and lubricate the brake system • examine the electrical system • examine the front wheel alignment • lubricate the front suspension
12 months / 100 hours	Have a trained technician examine the: <ul style="list-style-type: none"> • pedal components • transaxle fluid • safety decals

MAINTENANCE TASKS

CLEAN THE DYNAMIC BRAKING RESISTOR

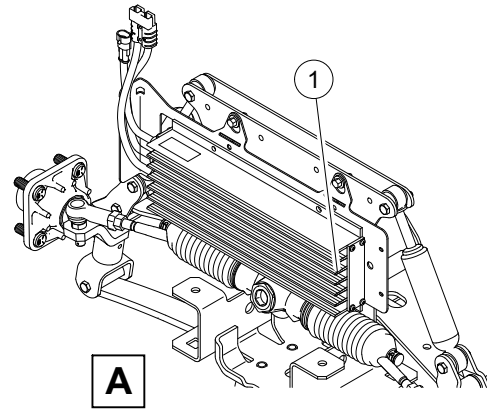
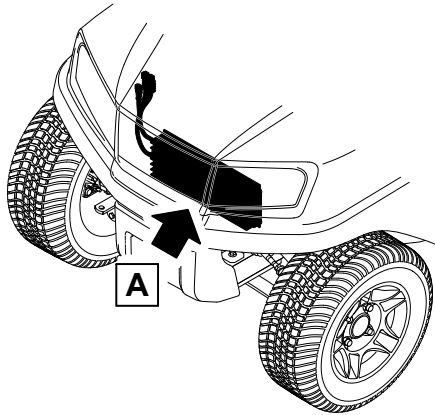


THE DYNAMIC BRAKING RESISTOR BECOMES HOT WHEN IT IS ON AND CAN CAUSE A FIRE, PROPERTY DAMAGE, OR SERIOUS PERSONAL INJURY. DO NOT TOUCH. BEFORE CLEANING THE DYNAMIC BRAKING RESISTOR, MAKE SURE THAT IT IS COOL.

NOTICE

CLEANING WITH THE INCORRECT TOOL CAN DAMAGE THE COATING ON THE DYNAMIC BRAKING RESISTOR. USE A NYLON BRUSH TO CLEAN THE DYNAMIC BRAKING RESISTOR.

1. Disable the vehicle.
2. Use a nylon brush to clean the fins (1) of the dynamic braking resistor.



LIFT THE VEHICLE

LIFT THE FRONT OF THE VEHICLE

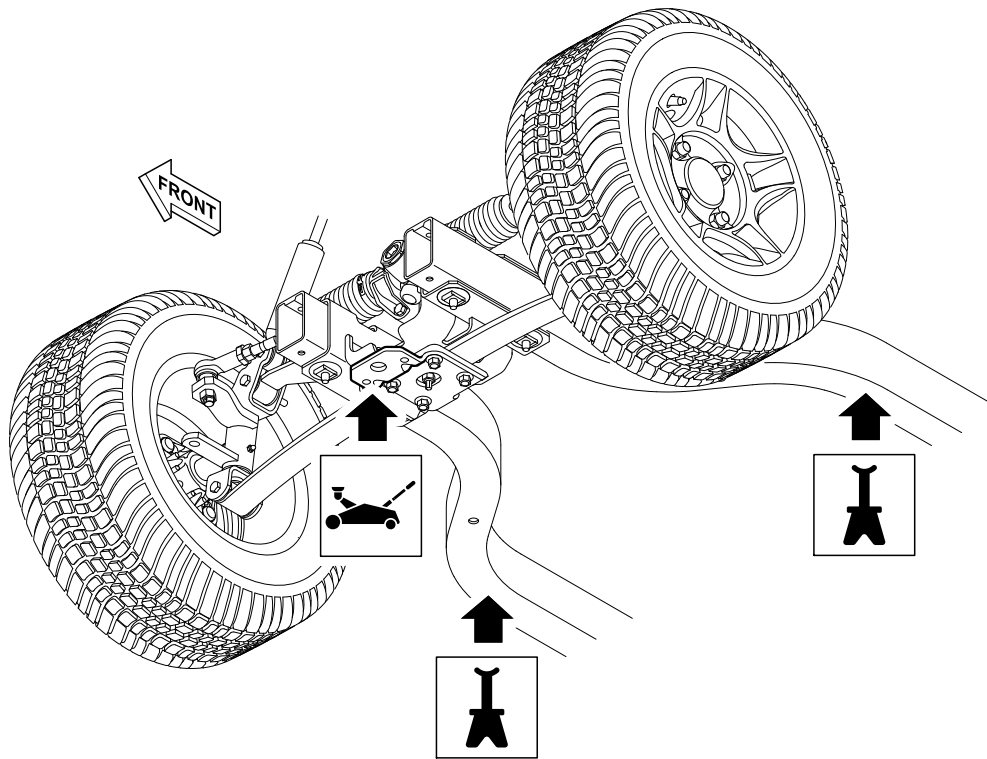
⚠ WARNING

LIFTING THE VEHICLE WITH CARGO CAN CAUSE PROPERTY DAMAGE, SERIOUS PERSONAL INJURY, OR DEATH. REMOVE ALL CARGO FROM THE CARGO BED BEFORE THE VEHICLE IS LIFTED.

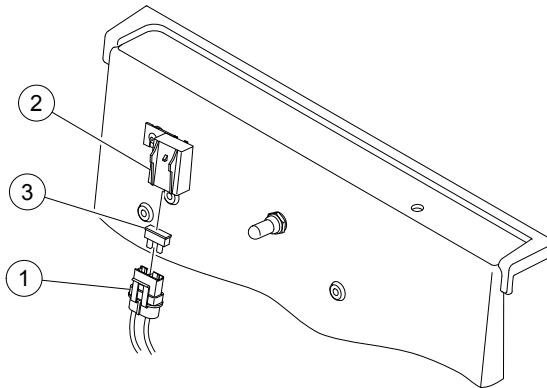
Before the vehicle is lifted:

- Disable the vehicle.
- Use a jack and jack stands rated for the vehicle.

To lift the front of the vehicle:



1. Remove the high voltage interlock fuse.
 - 1.A Disconnect the fuse holder (1) from the red cover (2).



- 1.B Remove the 10A fuse (3).
2. Place the jack in the center of the lift point.
3. Lift the front of the vehicle.
4. Put jack stands under the frame rails.
5. Lower the vehicle onto the jack stands.

G-130798-000027

LIFT THE REAR OF THE VEHICLE

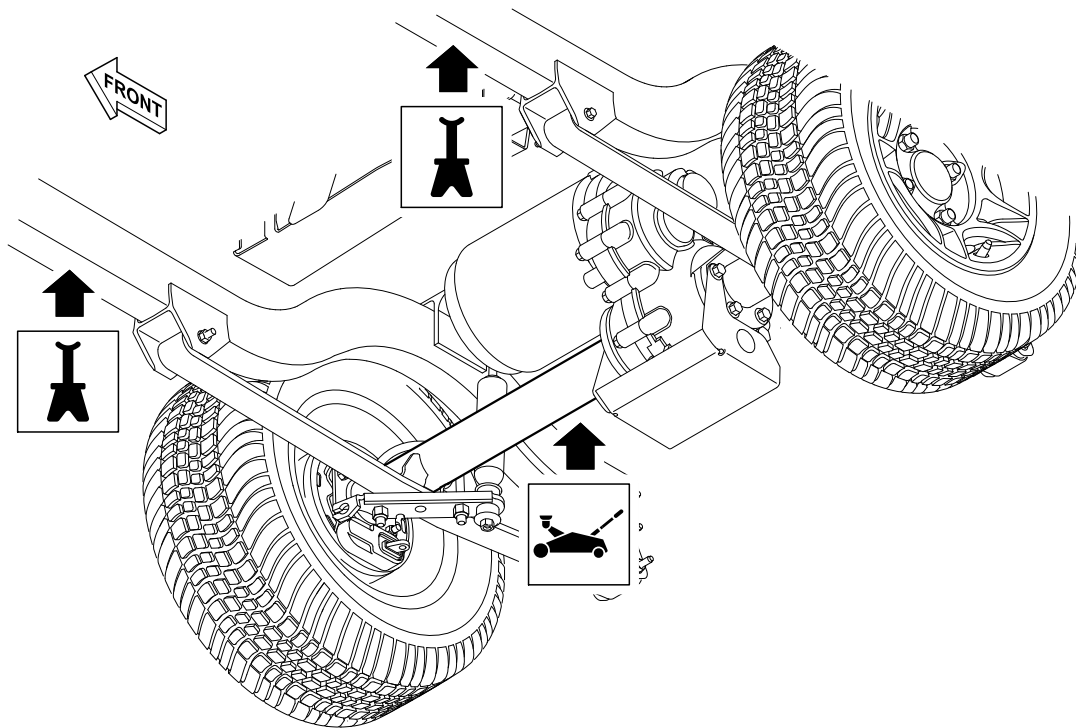
WARNING

LIFTING THE VEHICLE WITH CARGO CAN CAUSE PROPERTY DAMAGE, SERIOUS PERSONAL INJURY, OR DEATH. REMOVE ALL CARGO FROM THE CARGO BED BEFORE THE VEHICLE IS LIFTED.

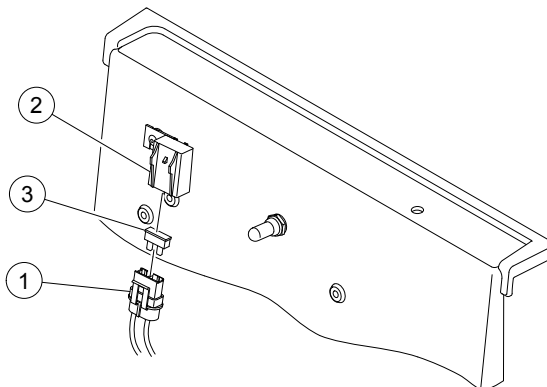
Before the vehicle is lifted:

- Disable the vehicle.
- Use a jack and jack stands rated for the vehicle.

To lift the rear of the vehicle:



1. Remove the high voltage interlock fuse.
 - 1.A Disconnect the fuse holder (1) from the red cover (2).



G-130798-000027

- 1.B Remove the 10A fuse (3).
2. Place the jack in the center of the lift point.
3. Lift the rear of the vehicle.
4. Put jack stands under the frame rails.
5. Lower the vehicle onto the jack stands.

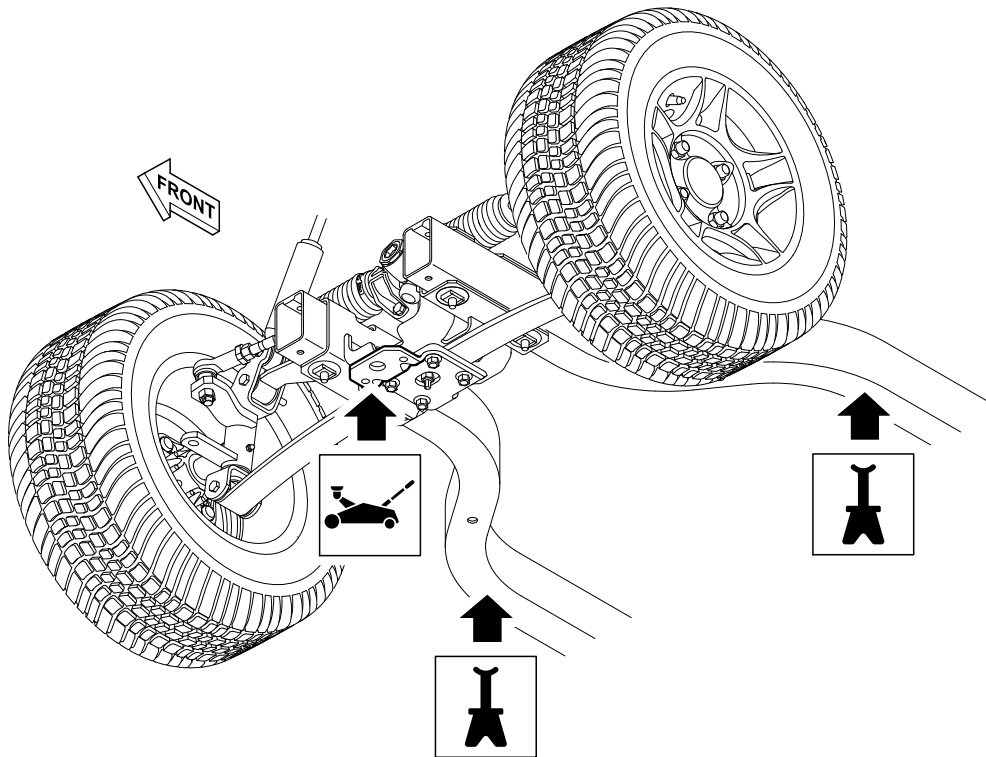
LOWER THE VEHICLE

LOWER THE FRONT OF THE VEHICLE

Before the front of the vehicle is lowered:

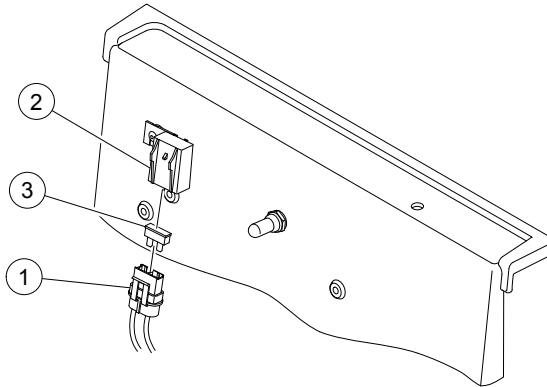
- Use a jack rated for the vehicle.

To lower the front of the vehicle:



1. Place the jack in the center of the lift point.
2. Lift the vehicle off of the jack stands.
3. Remove the jack stands.
4. Lower the vehicle.
5. Install the high voltage interlock fuse.

- 5.A Install the 10A fuse (3) into the fuse holder (1).



G-130798-000027

- 5.B Connect the fuse holder to the red cover (2).

Note: Removal of the high voltage interlock fuse will cause a fault code.

- 5.C Turn the key switch to ON, then OFF to clear the fault code.

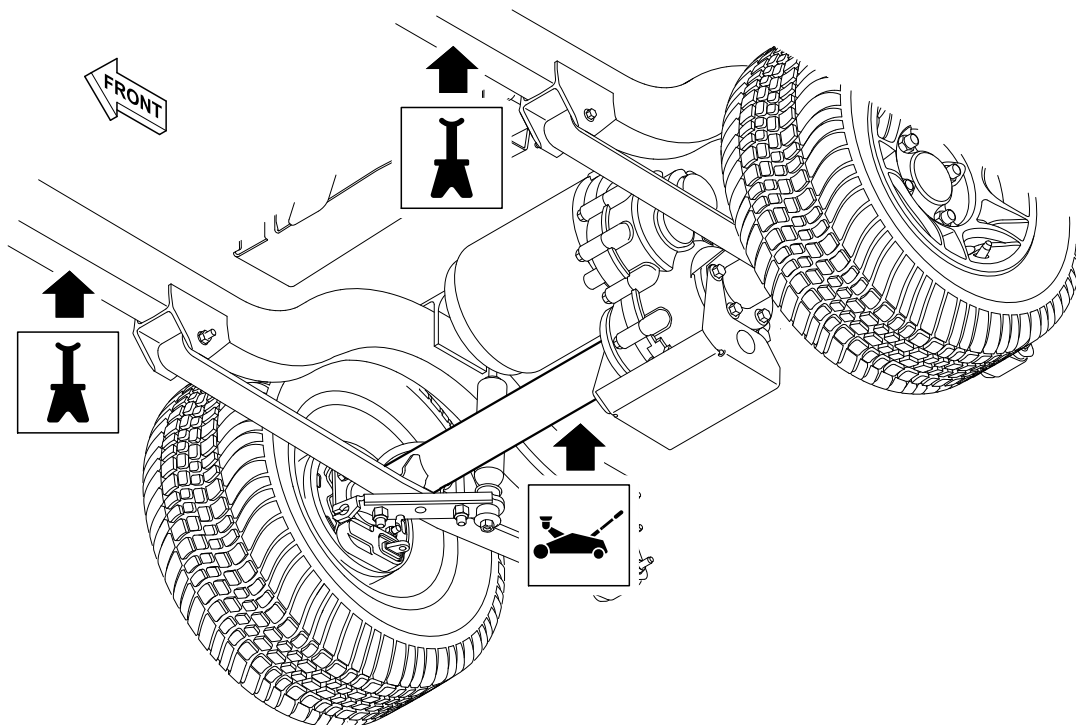
6. Set the Run/Tow-Stow switch to RUN.

LOWER THE REAR OF THE VEHICLE

Before the rear of the vehicle is lowered:

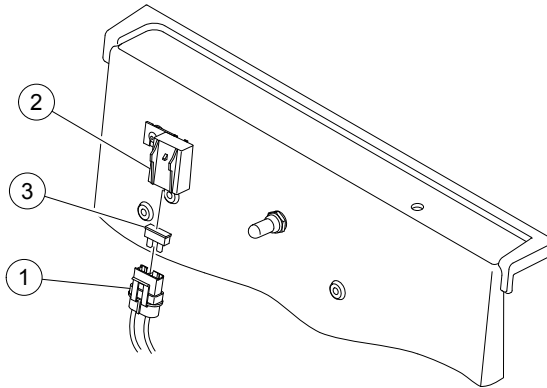
- Use a jack rated for the vehicle.

To lower the rear of the vehicle:



1. Place the jack in the center of the lift point.

2. Lift the vehicle off of the jack stands.
3. Remove the jack stands.
4. Lower the vehicle.
5. Install the high voltage interlock fuse.
 - 5.A Install the 10A fuse (3) into the fuse holder (1).



G-130798-000027

- 5.B Connect the fuse holder to the red cover (2).

Note: Removal of the high voltage interlock fuse will cause a fault code.
- 5.C Turn the key switch to ON, then OFF to clear the fault code.

6. Set the Run/Tow-Stow switch to RUN.

TIRE PRESSURE MEASUREMENT

Before the tire pressure measurement:

- Disable the vehicle.

To measure the tire pressure:

1. Remove the valve stem cap.
2. Use a pressure gauge to measure the tire pressure.
3. Adjust to meet the recommended tire pressure.

Note: Go to the approved wheel and tire assemblies matrix on <http://www.clubcar.com> for information regarding tire type, inflation pressure, and lug nut torque.

4. Install the valve stem cap.

WHEEL ASSEMBLY

WHEEL ASSEMBLY REMOVAL

Before the wheel assembly is removed:

- Disable the vehicle.

To remove the wheel assembly:

1. Remove the wheel cover.
2. Loosen the lug nuts.
3. Lift the vehicle to allow for removal of the wheel assembly.
4. Remove the lug nuts.
5. Remove the wheel assembly.

WHEEL ASSEMBLY INSTALLATION

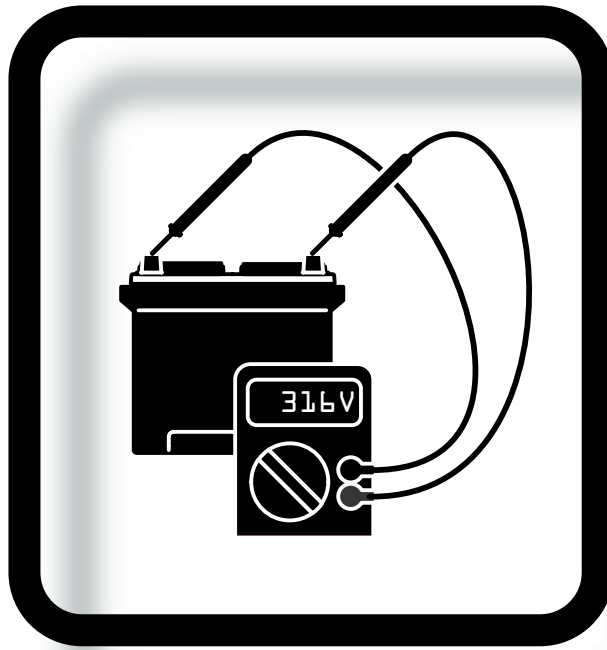
Before wheel assembly installation:

- Disable the vehicle.

To install the wheel assembly:

1. Lift the vehicle to allow for installation of the wheel assembly.
2. Align the wheel assembly onto the hub of the vehicle.
Note: Make sure that the valve stem points to the outer side of the vehicle.
Note: Make sure that the tire tread is in the correct direction of travel.
3. Tighten the lug nuts until they are hand-tight.
4. Lower the vehicle.
5. Tighten the lug nuts to the recommended torque specification.
Note: Go to the approved wheel and tire assemblies matrix on <http://www.clubcar.com> for information regarding tire type, inflation pressure, and lugnut torque.
6. Install the wheel cover.

(Page intentionally left blank.)



9

BATTERY MAINTENANCE

WARNING

ELECTRICAL SHORTS CAN CAUSE A FIRE, ELECTRICAL SHOCK, SERIOUS PERSONAL INJURY, OR DEATH. PREVENT CONTACT BETWEEN POSITIVE VOLTAGE AND THE GROUND CIRCUIT. USE INSULATED TOOLS.

NOTICE

INCORRECT STORAGE CAN CAUSE BATTERY DAMAGE, PERMANENT LOSS OF BATTERY CAPACITY, OR CAUSE THE BATTERY TO BE UNSERVICEABLE. A FULLY DISCHARGED BATTERY PUT IN STORAGE WILL MAKE THE BATTERY PERMANENTLY UNSERVICEABLE. PUT THE BATTERY ON CHARGE DURING EXTENDED STORAGE. DO NOT EXCEED THE STORAGE TEMPERATURE LIMITS. DO NOT PUT A FULLY DISCHARGED BATTERY IN STORAGE. INCORRECT STORAGE WILL VOID THE BATTERY WARRANTY.

BATTERY MAINTENANCE OVERVIEW

The battery has no water or maintenance intervals.

BATTERY CLEANING

Club Car does not recommend the use of a garden hose or pressure washer to clean the battery and battery bucket area. Use a soft cloth to clean the battery and battery bucket area.

BATTERY CHARGING

CHARGING WITH EXTERNAL CHARGER

DANGER

CHARGING THE BATTERIES WITH ACCESSORIES ON CAN CAUSE A FIRE AND SERIOUS PERSONAL INJURY. TURN OFF ALL ACCESSORIES BEFORE CHARGING THE BATTERIES.

WARNING

THE BATTERY CHARGER BECOMES HOT WHEN IT IS ON AND CAN CAUSE A FIRE, PROPERTY DAMAGE, OR SERIOUS PERSONAL INJURY. DO NOT COVER THE BATTERY CHARGER. DO NOT TOUCH. MAKE SURE THAT THE BATTERY CHARGER HAS ADEQUATE AIRFLOW. USE THE HANDLE. KEEP THE BATTERY CHARGER AWAY FROM CLOTHING AND FLAMMABLE MATERIAL.

LOOSE CORD CONNECTIONS CAN CAUSE A FIRE. MAKE SURE THAT ALL CORD CONNECTIONS AT THE RECEPTACLE ARE CLEAN AND TIGHT.

The recommended temperature range to charge the battery is from -4° F (-20° C) to 113° F (45° C). Lithium-ion batteries do not emit gases. Ventilation is not necessary.

To charge with an external charger:

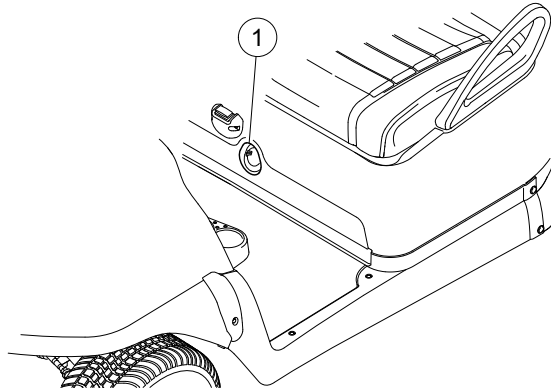
1. Disable the vehicle.
2. Turn off all accessories.
3. Set the Run/Tow-Stow switch to RUN.
4. Connect the AC cord to the charger.

5. Connect the AC cord to the power source.

NOTICE

INCORRECT REMOVAL AND INSTALLATION OF THE DC CORD CAN CAUSE DC CORD DAMAGE AND VEHICLE CHARGER RECEPTACLE DAMAGE. DO NOT TWIST, BEND, OR MOVE THE DC CORD PLUG SIDE TO SIDE. DO NOT PULL ON THE DC CORD. HOLD THE PLUG HANDLE AND PUSH THE PLUG STRAIGHT INTO THE VEHICLE CHARGER RECEPTACLE.

6. Connect the DC cord to the vehicle charger receptacle (1).



G-130096-000002

Note: The vehicle will start to charge in 10 seconds or less.

When the vehicle starts to charge:

- ON CHG will show on the dash display.
- The multi-purpose buzzer will operate.
- If equipped, the headlights will flash.

Note: When the battery is fully charged, CHARGD will show on the dash display.

DANGER

IF THE DC CORD IS REMOVED TOO FAST, ARCING AND BURNING CAN CAUSE DAMAGE TO THE PLUG, RECEPTACLE, AND CAUSE THE BATTERIES TO EXPLODE. REMOVE THE DC CORD SLOW.

7. Before vehicle operation, disconnect the DC cord from the vehicle charger receptacle.

CHARGING WITH ONBOARD CHARGER

DANGER

CHARGING THE BATTERIES WITH ACCESSORIES ON CAN CAUSE A FIRE AND SERIOUS PERSONAL INJURY. TURN OFF ALL ACCESSORIES BEFORE CHARGING THE BATTERIES.

WARNING

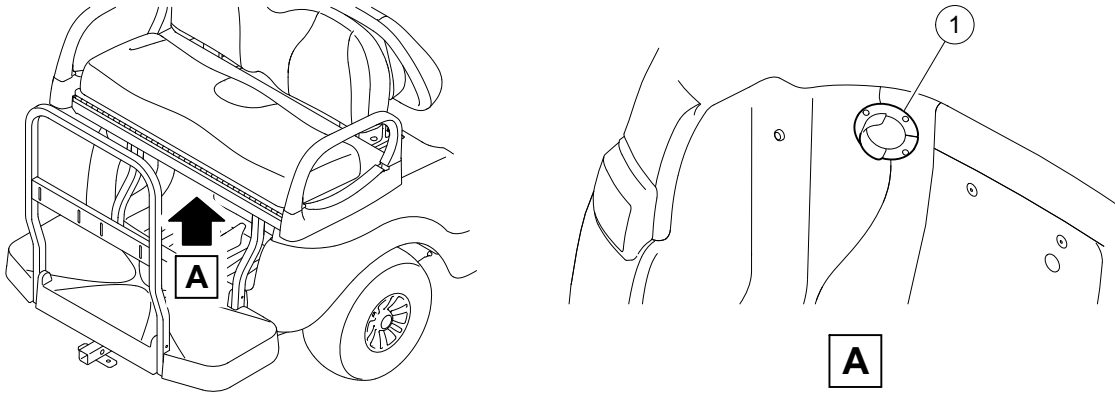
LOOSE CORD CONNECTIONS CAN CAUSE A FIRE. MAKE SURE THAT ALL CORD CONNECTIONS AT THE RECEPTACLE ARE CLEAN AND TIGHT.

The recommended temperature range to charge the battery is from -4°F (-20°C) to 113°F (45°C).

Lithium-ion batteries do not emit gases. Ventilation is not necessary.

To charge with an onboard charger:

1. Disable the vehicle.
2. Turn off all accessories.
3. Set the Run/Tow-Stow switch to RUN.
4. Connect the AC cord (1) to the power source.



Note: The vehicle will start to charge in 10 seconds or less.

When the vehicle starts to charge:

- ON CHG will show on the dash display.
- The multi-purpose buzzer will operate.
- If equipped, the headlights will flash.

Note: When the battery is fully charged, CHARGD will show on the dash display.

5. Before vehicle operation, disconnect and retract the AC cord.



10

TRANSPORT AND TOW

⚠ DANGER

DO NOT LET PASSENGERS RIDE IN THE VEHICLE OR TRAILER BEING TOWED.

⚠ WARNING

KEEP AWAY FROM THE AREA BETWEEN THE TOW VEHICLE AND THE TOWED VEHICLE OR TRAILER.

DO NOT TOW A CLUB CAR VEHICLE BEHIND A PASSENGER VEHICLE OR TRUCK ON A PUBLIC ROAD. ONLY TRANSPORT A CLUB CAR VEHICLE ON AN APPROVED TRAILER.

⚠ CAUTION

THE VEHICLE CAN FALL OFF THE TRAILER AND CAUSE PROPERTY DAMAGE AND SERIOUS PERSONAL INJURY. MAKE SURE THE VEHICLE IS CORRECTLY SECURED TO THE TRAILER.

BEFORE TRANSPORTING THE VEHICLE ON A TRAILER, REMOVE THE WINDSHIELD. SECURE THE SEAT BOTTOM.

WHEN A TRAILER IS USED ON A PUBLIC ROAD, THE TRAILER MUST MEET ALL FEDERAL, STATE, AND LOCAL REQUIREMENTS SUCH AS TAILLIGHTS AND BRAKE LIGHTS.

PREPARE THE VEHICLE TO BE TOWED

1. Turn the key to OFF.
2. Remove the key. Keep the key in a safe area.
3. Set the Forward / Neutral / Reverse control (FNR) to N.
4. Set the Run/Tow-Stow switch to TOW/STOW.

TOWING A TRAILER OR VEHICLE

⚠ CAUTION

USE EXTREME CAUTION WHEN TOWING A TRAILER OR VEHICLE. DO NOT MAKE SHARP TURNS WHEN TOWING A TRAILER OR VEHICLE. DO NOT TOW A TRAILER OR VEHICLE ON PUBLIC ROADS OR HIGHWAYS. DECREASE THE VEHICLE SPEED WHEN TOWING A TRAILER OR VEHICLE.

Use only a Club Car approved tow kit.

1. Prepare the vehicle to be towed.
2. Use a Club Car approved tow kit to tow the vehicle.
3. Tow the trailer or vehicle under 5 mph (8 km/h).

TOW THE VEHICLE WITH APPROVED TOW VEHICLE

⚠ CAUTION

USE EXTREME CAUTION WHEN TOWING THE VEHICLE WITH AN APPROVED TOW VEHICLE. DO NOT MAKE SHARP TURNS WHEN TOWING THE VEHICLE. DO NOT TOW THE VEHICLE ON PUBLIC ROADS OR HIGHWAYS. DECREASE THE APPROVED TOW VEHICLE SPEED WHEN TOWING THE VEHICLE.

Approved tow vehicle:

- Can tow up to five golf cars.
- Has braking capacity of GCVWR of the approved tow vehicle plus five towed vehicles.

Note: Gross Combination Vehicle Weight Rating (GCVWR) is the gross weight of the approved tow vehicle plus the gross weight of the vehicles towed.

1. Prepare the vehicle to be towed.
2. Use a Club Car approved tow kit to tow the vehicle.
3. Use an approved tow vehicle to tow the vehicle.
4. Tow the vehicle under 5 mph (8 km/h).

VEHICLE TRANSPORT PREPARATION

 **CAUTION**

USE EXTREME CAUTION WHEN TRANSPORTING THE VEHICLE ON A TRAILER. REFER TO THE TOW VEHICLE OPERATOR MANUAL.

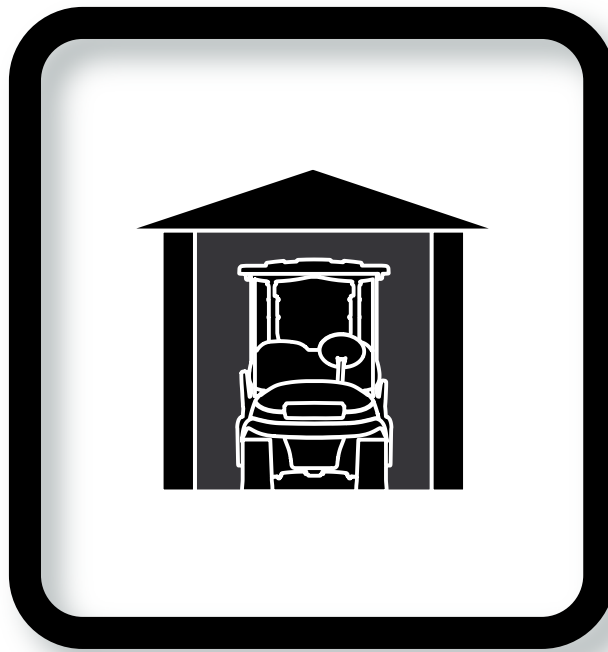
The vehicle is not designed to be towed at speeds over 5 mph. If movement over long distances or on public roads is necessary, transport the vehicle on a trailer. Use a trailer with appropriate load rating.

1. Set the park brake.
2. Set the Forward / Neutral / Reverse control (FNR) to N.
3. Turn the key to OFF.
4. Remove the key. Keep the key in a safe area.
5. Set the Run/Tow-Stow switch to TOW/STOW.
6. Remove all cargo from the vehicle.
7. Remove the windshield from the vehicle.
8. Secure all doors, access panels, seat bottoms, and windshield.
9. Examine the vehicle for loose parts. Tighten as necessary.
10. Secure the vehicle to the trailer.

VEHICLE TRANSPORT RECOVERY

1. Make sure that the trailer is correctly configured to remove the vehicle from the trailer safely.
2. Remove all materials used to secure the vehicle to the trailer.
3. Examine the vehicle for loose parts. Tighten as necessary.
4. Install the windshield.

(Page intentionally left blank.)



11

EXTENDED STORAGE

WARNING

UNINTENDED VEHICLE OPERATION CAN CAUSE SERIOUS PERSONAL INJURY OR DEATH. BEFORE LEAVING THE VEHICLE OR DURING VEHICLE MAINTENANCE, DISABLE THE VEHICLE.

CAUTION

EXTENDED STORAGE OF THE VEHICLE WITH THE RUN/TOW-STOW SWITCH SET TO RUN AND THE BATTERY CHARGER CONNECTED WILL DAMAGE BATTERIES AND REDUCE BATTERY PERFORMANCE AND LIFE.

NOTICE

INCORRECT STORAGE CAN CAUSE BATTERY DAMAGE, PERMANENT LOSS OF BATTERY CAPACITY, OR CAUSE THE BATTERY TO BE UNSERVICEABLE. A FULLY DISCHARGED BATTERY PUT IN STORAGE WILL MAKE THE BATTERY PERMANENTLY UNSERVICEABLE. PUT THE BATTERY ON CHARGE DURING EXTENDED STORAGE. DO NOT EXCEED THE STORAGE TEMPERATURE LIMITS. DO NOT PUT A FULLY DISCHARGED BATTERY IN STORAGE. INCORRECT STORAGE WILL VOID THE BATTERY WARRANTY.

EXTENDED STORAGE PREPARATION

The recommended extended storage temperature range is from -4°F (-20°C) to 113°F (45°C).

The recommended state of charge (SOC) for lithium-ion battery storage is 75% or lower.

Keep the battery charger connected during extended storage to maximize the life of the battery.

To prepare your vehicle for extended storage:

1. Turn off all electronic accessories.
2. Set the Forward / Neutral / Reverse control (FNR) to N.
3. Turn the key to OFF.
4. Remove the key. Keep the key in a safe area.
5. Put chocks against the wheels.
Note: Do not engage the park brake.
6. Remove all cargo and personal items.

NOTICE

INCORRECT STORAGE CAN CAUSE BATTERY DAMAGE, PERMANENT LOSS OF BATTERY CAPACITY, OR CAUSE THE BATTERY TO BE UNSERVICEABLE. IN EXTENDED STORAGE, DO NOT REMOVE THE HIGH VOLTAGE INTERLOCK FUSE (HVIL) WITH THE BATTERY CHARGER CONNECTED TO AC POWER AND THE VEHICLE. THE BATTERY WILL NOT CHARGE. THE BATTERY WILL CONTINUE TO DISCHARGE. INCORRECT STORAGE WILL VOID THE BATTERY WARRANTY.

7. Disconnect the battery charger.
8. Make sure that the high voltage interlock fuse (HVIL) is installed.
9. Set the Run/Tow-Stow switch to TOW/STOW.
10. Keep the vehicle in a cool and dry area.

11. Adjust pressure in each tire to the recommended tire pressure.
Note: Go to the approved wheel and tire assemblies matrix on <http://www.clubcar.com> for information regarding tire type, inflation pressure, and lugnut torque.
12. Clean the vehicle.
13. Connect the battery charger to the vehicle.
14. *If the battery charger cannot be connected or AC power will be unavailable during extended storage:*
 - 14.A Keep the Run/Tow-Stow switch set to TOW/STOW during extended storage.
 - 14.B Connect the battery charger to the vehicle.
 - 14.C Charge the vehicle until CHARGD appears on the dash display.
Note: The displayed % charge may be less than 100% when fully charged in TOW/STOW.
 - 14.D Disconnect the battery charger from the vehicle.
 - 14.E *If extended storage exceeds six months, do step 14 every six months or earlier.*

RETURN TO SERVICE FROM EXTENDED STORAGE

1. Set the Forward / Neutral / Reverse control (FNR) to N.
2. Fully charge the battery.
3. Adjust the pressure in each tire to the recommended tire pressure.
Note: Go to the approved wheel and tire assemblies matrix on <http://www.clubcar.com> for information regarding tire type, inflation pressure, and lugnut torque.
4. Have a trained technician lubricate the vehicle.
5. Do a daily pre-operation safety checklist.
6. Do a vehicle performance inspection.

(Page intentionally left blank.)



12

WARRANTIES

LIMITED WARRANTY**WARRANTY**

Club Car, LLC ("Club Car") hereby warrants to the original purchaser or lessee, as those terms are defined herein, and subject to the provisions, limitations and exclusions in this limited warranty, that its new vehicle or new component purchased from Club Car or an Authorized Dealer or Distributor shall be free from defects in material and workmanship under normal use and service for the periods stated below, subject to the provisions, limitations and exclusions in this limited warranty.

This limited warranty covers material, workmanship and repair labor cost as to those items specifically listed below for the periods specified. Such repair labor shall be performed only by Club Car, its Authorized Dealers or Distributors, or a service agency approved by Club Car. For repairs made by qualified technicians other than Club Car's factory technicians or an Authorized Dealer or Distributor, Club Car will provide only the replacement parts or components.

In addition to the initial owner of the vehicle, the six year, lithium battery coverage described in this Club Car Onward HP Li-Ion warranty is transferable at no cost to one subsequent person who assumes ownership of the vehicle within the 6 year battery warranty term.

WARRANTY TIMEFRAME

ITEM	SUB-ITEMS	COVERAGE
VEHICLE MAINFRAME	Not applicable	2 years
SUSPENSION	Steering gearbox, steering column, shocks, and leaf springs	2 years
ELECTRIC POWERTRAIN	Electric motor, transaxle, and MCOR	2 years
LITHIUM-ION BATTERY	Lithium-ion battery	Earlier of: (i) 6 years or (ii) 2.8 megawatt hours (MWh)
MAJOR ELECTRONICS	Solid state speed controller and battery charger	2 years
OTHER ELECTRONICS	VCM and DBR	2 years
PEDAL GROUP	Pedal group mechanical assembly, brake cluster assemblies, brake cables, and accelerator pedal position sensor (APPS)	2 years
SEATS	Seat bottom, seat back, and armrests	2 years
BODY GROUP	Beauty panels and front/rear underbody	2 years

ALL REMAINING COMPONENTS	Solenoid, limit switches, voltage regulator, F&R switch, and options and accessories supplied by Club Car, including components not specified otherwise	2 years
NON-STANDARD ACCESSORIES	Any original Club Car manufactured equipment, accessories, and options purchased from Club Car and field installed by an authorized Club Car dealer and distributor, including: sound system, canopy, rear canopy supports, including components not specified otherwise.	1 year

EXCLUSIONS

Excluded from any Club Car warranty is damage to a vehicle or component resulting from a cause other than a defect including poor maintenance, neglect, abuse, accident and collision, maintenance adjustments, unreasonable or unintended strain or use, improper installation of accessories, installation of parts or accessories that are not original equipment including Club Car approved or non-approved GPS systems, non-approved alteration, and acts of God. Also excluded from any Club Car warranty are all fuses, filters, decals (except safety decals), lubricants, routine wear items such as engine mounts, bed floor lining, mats, pads, spark plugs, light bulbs, brake pads, belts, brushes, solenoids, bushings, drive buttons, cosmetic deterioration, and items that deteriorate, fade or fail due to exposure or ordinary wear and tear.

The provisions of this limited warranty shall not apply to failure due to the following conditions:

- Batteries
 - Tampering with or opening of the battery case.
 - Intentional overcharging or undercharging of a vehicle.
 - Improper charging of a vehicle due to the use of a battery charger model not approved by Club Car for use with the vehicle.
 - Use of energy management systems that do not allow a minimum of 4 hours of charge time to assure proper charging.
 - Neglect, breakage, freezing, fire, explosion, wreckage, melted terminal posts, the addition of any chemical, or the operation of the battery in an uncharged condition; the installation of the batteries in reverse or recharging in reverse, breakage of containers, covers, or terminal post, or batteries used in applications for which they were not designed.
 - A battery damaged by a defective charger or batteries in vehicles that do not receive proper charging.
 - A vehicle not having an operational charger on a circuit that has the parameters specified in the vehicle operator’s manual (the number of operational chargers must equal the number of operational vehicles), or use of an unapproved algorithm.
 - Use of a discharger test or similar device. A discharge tester may cause permanent and irreparable damage to the battery and should not be used under any circumstance.
- Operation (including charging) outside the manufacturer’s stated allowable annual average temperature of less than 30 degrees Celsius. Lack of proper maintenance such as preventive maintenance checks, proper rotation of vehicles in a fleet application, maintaining proper tire pressure and alignment and tightening loose wire connections as outlined in the operator’s manual.
- Damages caused by improper installation of the component.

- Failed semiconductor parts such as diodes and fuses that are vulnerable to electrical overloads (including lightning) beyond the control of Club Car.
- Damaged charger AC and DC cord set with plug, which is a wear item and subject to user abuse.
- Improper extended storage.

Without limiting the generality of the foregoing in any way, and as part of its limited warranty exclusion, Club Car does not warrant that its vehicle or components such as batteries, computer, controller or electrical device are suitable for use in any application other than in its products. As in the use of any vehicle, batteries, computer, controller or electrical device, a prudent owner will read and study the operator's manual, the operator instructions and the warning labels; and will exercise due care in working on or around vehicles, batteries or electrical devices.

Transportation expenses for warranty services are also excluded from this warranty.

VOIDING OF WARRANTY

This and any other warranty shall be void if the vehicle or component is damaged, involved in an accident, abused or used in an unintended manner or shows indications that it has been altered in any way, including, but not limited to, modification of the speed governor, braking system, steering, transaxle, or other operating systems of the car to cause it to perform outside club car specifications. The warranty is likewise void if the vehicle shows indications that reasonable or necessary maintenance as outlined in the operator's manual and maintenance and service manual was not performed at the time and in the manner specified in such manuals.

SOLE REMEDY

Club Car's liability under this limited warranty or in any action whether based upon warranty, contract, negligence, strict product liability or otherwise, shall be the repair or replacement, at Club Car's option, of the vehicle or component thereof that Club Car deems to be defective. Replacement shall mean furnishing, during the applicable limited warranty period, a new vehicle or factory-reconditioned vehicle or component thereof that is identical or reasonably equivalent to the warranted product or component at no cost to the purchaser. Repair shall mean remedying a defect in the vehicle or component thereof at no cost to the purchaser during the applicable limited warranty period. Club Car reserves the right to test and recharge any component returned for adjustment. If Club Car elects to repair the vehicle or component, it may provide factory-reconditioned parts or components. All parts and components replaced under warranty shall become the property of Club Car.

DISCLAIMER

This limited warranty is exclusive. Club Car makes no other warranty of any kind, expressed or implied. Any implied warranties of merchantability or fitness for a particular purpose are hereby disclaimed by Club Car and excluded from this warranty. The Purchaser and Club Car expressly agree that the sole remedy of the replacement or repair of the defective vehicle or component thereof is the sole remedy of the Purchaser. Club Car makes no other representation or warranty of any kind, and no representative, employee, distributor or dealer of Club Car has the authority to make or imply any representation, promise or agreement, which in any way varies the terms of this warranty.

In the event that another pre-printed warranty document, certificate or both offered by or through Club Car at the time of sale of this vehicle (each an "Additional Warranty Document") is deemed to conflict with the limitations or exclusions contained herein, the limitations and exclusions contained herein shall continue to apply to both this limited warranty statement and, to the maximum extent permitted by law, to each Additional Warranty Document.

NO CONSEQUENTIAL DAMAGES

In no event shall Club Car be liable for any incidental or consequential damages including, but not limited to, loss related to property other than the vehicle, loss of use, loss of time, inconvenience, or any other economic loss.

Some states allow neither limitation on the duration of an implied warranty nor exclusions or limitation of incidental or consequential damages. Therefore, the above limitations or exclusions may not apply to you. This warranty gives you specific legal rights, and you may also have other rights, which vary from state to state.

HOW TO MAKE A WARRANTY CLAIM

To make a warranty claim under this limited warranty, you must present the vehicle or defective component with evidence of proof of purchase date and number of amp hours (if applicable) to an authorized Club Car dealer.

For warranty-related communication, contact:

E-mail

cci_warrantyadministration@clubcar.com

Postal Service

Club Car, LLC
Attention: Warranty Services
4125 Washington Rd.
Evans, Georgia 30809
United States Of America

Publication Part Number TPCC01DM00EN019

Edition Code E



Club Car, LLC
P.O. Box 204658
Augusta, GA 30917-4658
USA

Web www.clubcar.com
Phone 1 706 258 2225
1 800 ClubCar
Fax 1 706 863 5858