

# ASSEMBLING INSTRUCTION

1 X1PC



2 X1PC



3 X1PC



A X4PCS



B X5PCS



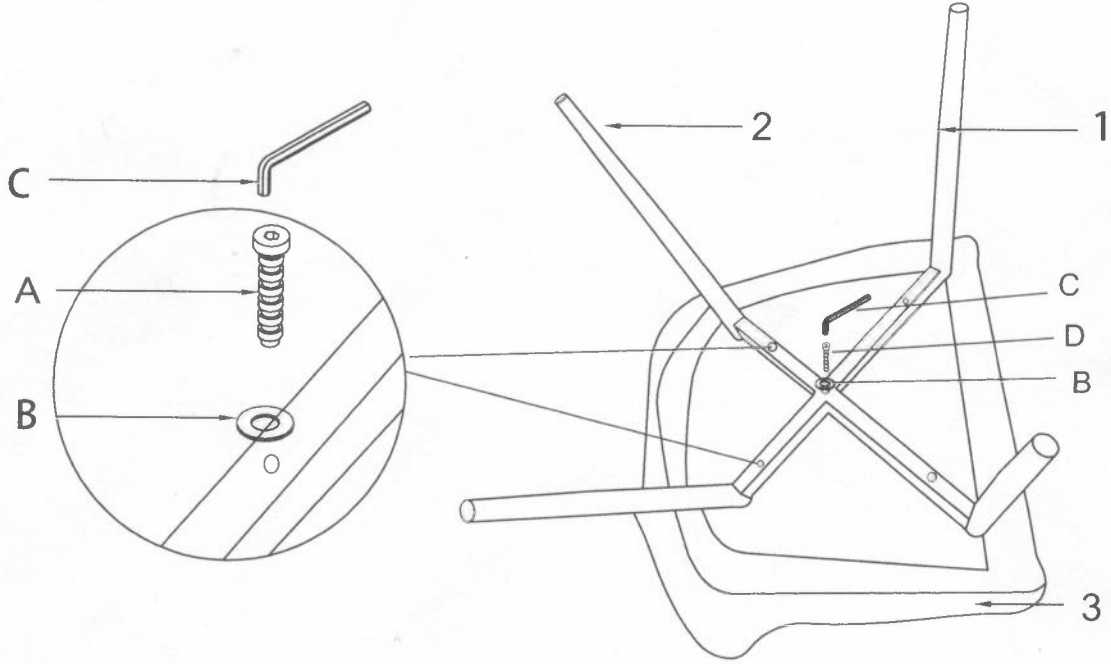
C X1PC



DX1PCS



1



2

