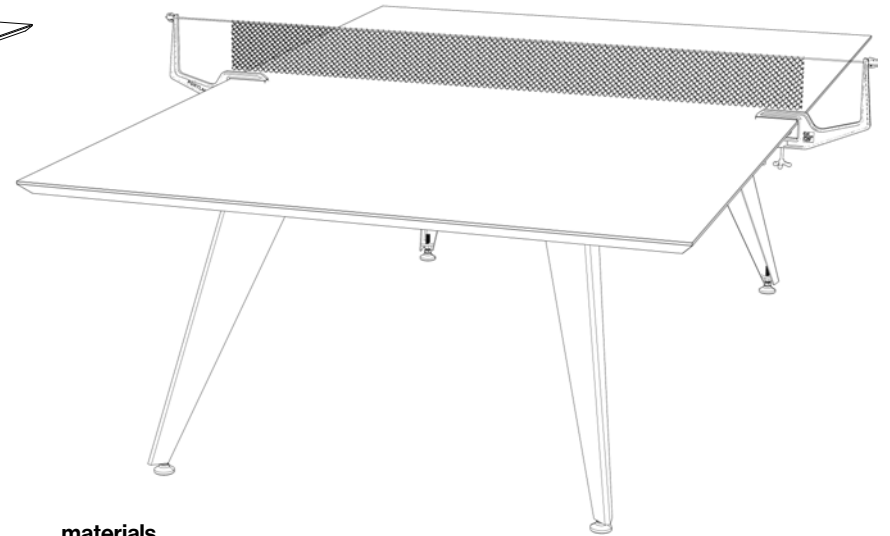
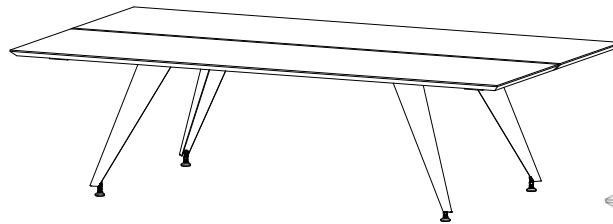


ping pong

CONFERENCE AND GAME TABLE



dimensions

60" W x 29-30" H x 108" L

materials

Hardwood or Birch Plywood
Powdercoated Steel

Designed by Spencer Staley
Made in Portland, Oregon

Add On:
Cast Aluminum Clamps
Steel Net