

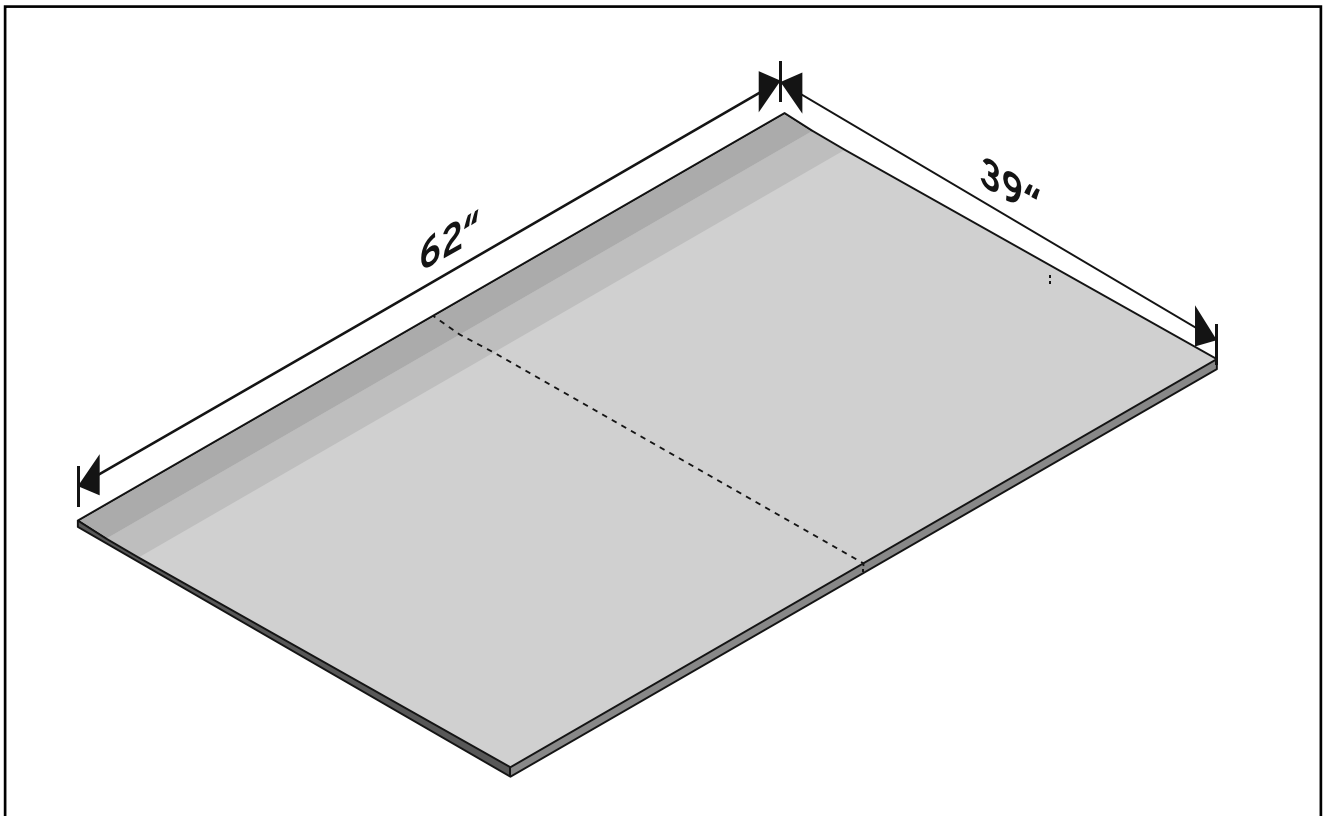
RAPID

RECESS

Lowering Plywood floors for Curbless Showers

Shower Pan-V Model#RRSPT2CSVAR

- Tub to curbless shower conversion tilable shower pan for **use with** *Schluter-KERDI-LINE-VARIO drain at the back wall installation
- Pre-sloped with integrated sheet waterproofing membrane



Features:

- Lightweight - 4.5 lbs
- High compressive strength foam - 145 psi
- 100% post-consumer recycled PET plastic core
- Waterproof with factory applied *Schluter-KERDI waterproofing membrane
- Site sizable to fit existing opening
- ADA compliant

Uses:

For curbless/flush entry shower installation on plywood subfloor with RAPID RECESS Bracket Kit-T15 (model # RRT2CS) and *Schluter-KERDI-LINE-VARIO flange kit (model # KLVR2FLK)

*DISCLAIMER: SCHLUTER, KERDI and KERDI-LINE are trademarks of Schluter-Systems. RAPID RECESS is not affiliated with Schluter-Systems. RAPID RECESS products are not manufactured, distributed, warranted or endorsed by Schluter-Systems.



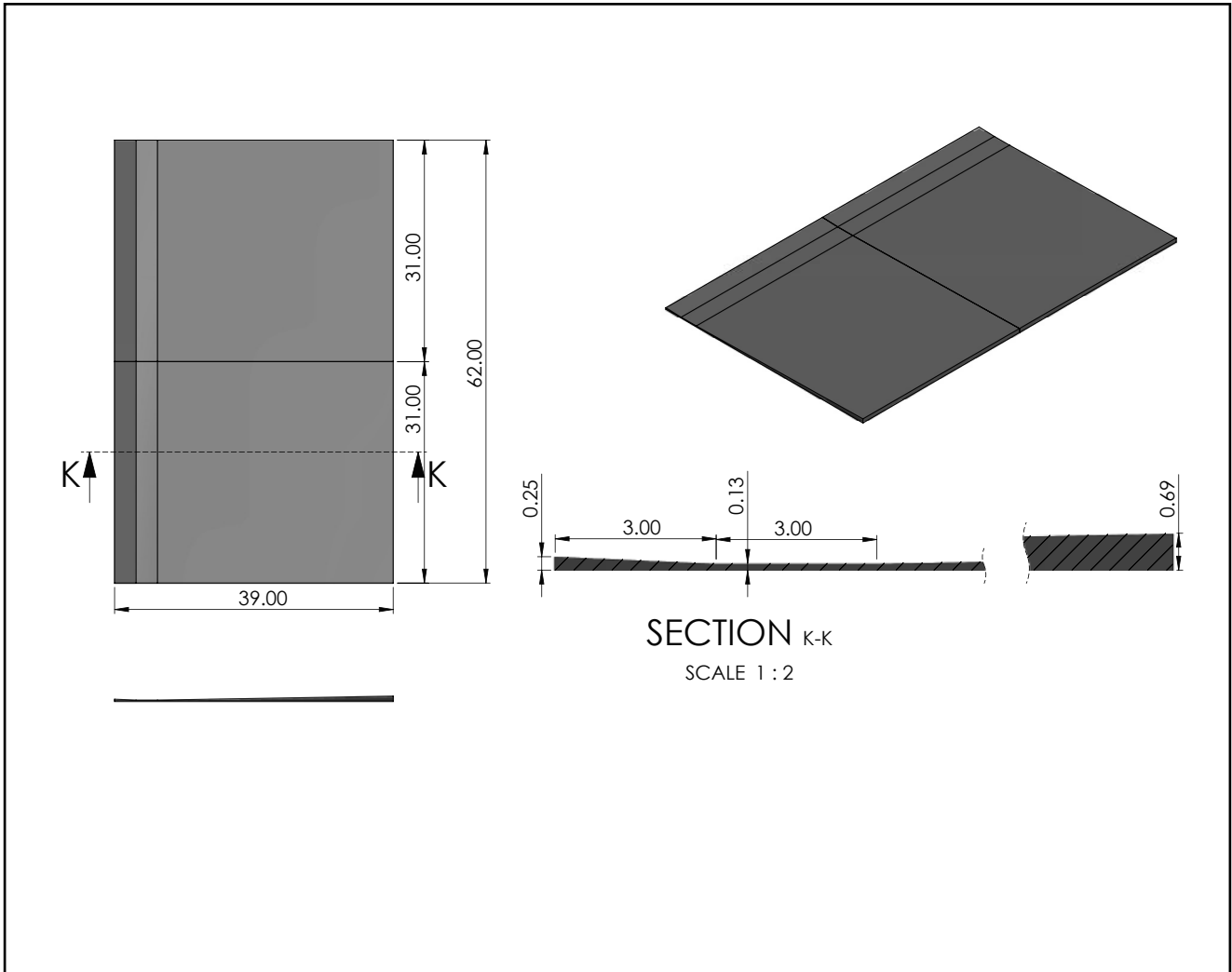
Rapid Recess 970.852.0505 | P.O. Box 2107 Silverthorne, CO 80498 | rapidrecess.com

RAPID

RECESS

Lowering Plywood floors for Curbless Showers

Shower Pan-V Model#RRSPT2CSVAR



*DISCLAIMER: SCHLUTER, KERDI and KERDI-LINE are trademarks of Schluter-Systems. RAPID RECESS is not affiliated with Schluter-Systems. RAPID RECESS products are not manufactured, distributed, warranted or endorsed by Schluter-Systems.



Rapid Recess 970.852.0505 | P.O. Box 2107 Silverthorne, CO 80498 | rapidrecess.com