

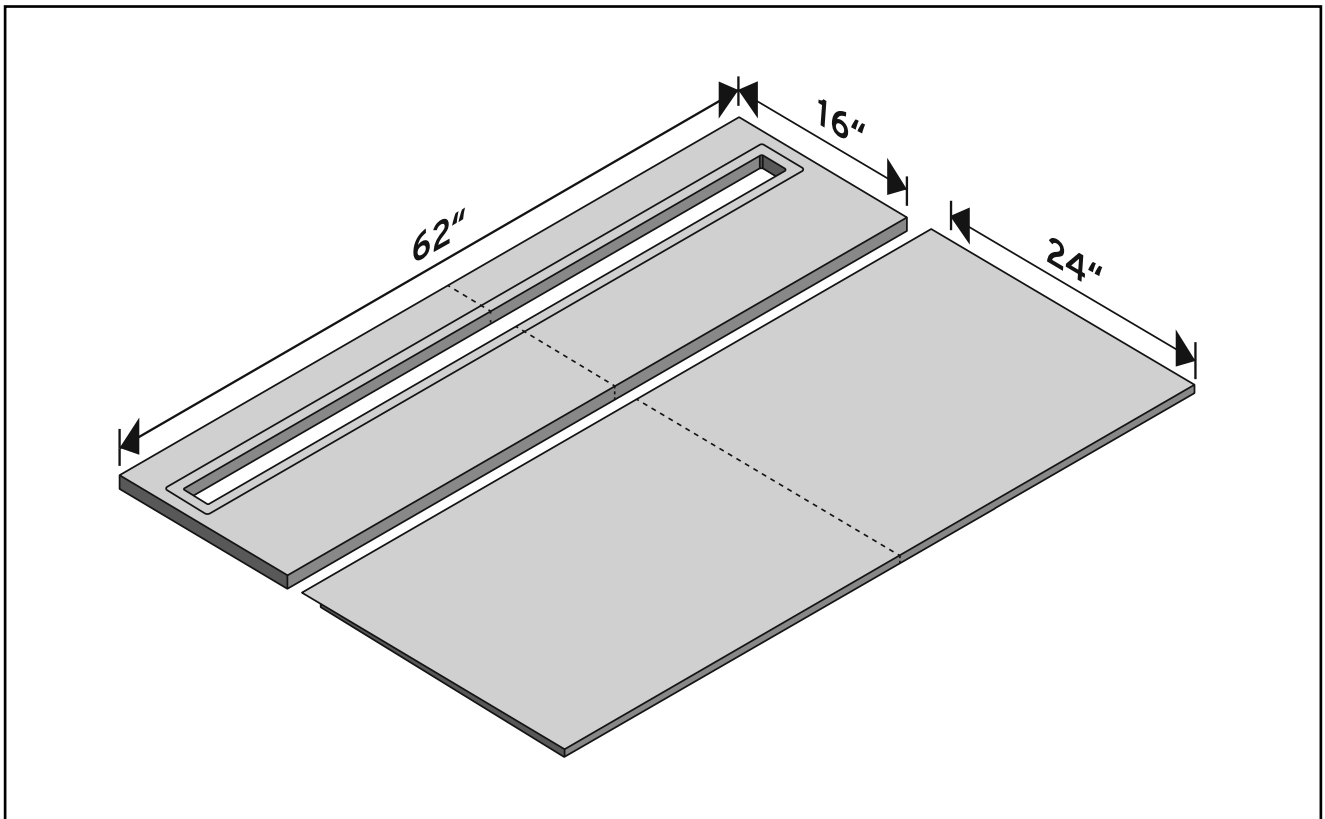
RAPID

RECESS

Lowering Plywood floors for Curbless Showers

Shower Pan-K Model#RRSPT2CSK

- Tub to curbless shower conversion tilable shower pan for **use with** *Schluter-KERDI-LINE drain at the back wall installation
- Pre-sloped with integrated sheet waterproofing membrane
- Used only for installations when floor joists are running parallel to shower entry



Features:

- Lightweight - 8 lbs.
- High compressive strength foam - 145 psi
- 100% post-consumer recycled PET plastic core
- Waterproof with factory applied *Schluter-KERDI waterproofing membrane
- Site sizable to fit existing opening
- ADA compliant

Uses:

For curbless/flush entry shower installation on plywood subfloor with RAPID RECESS Bracket Kit-K15 - model #RRT2CSLDK and *Schluter-KERDI-LINE drain model #KL1V60E140

*DISCLAIMER: SCHLUTER, KERDI and KERDI-LINE are trademarks of Schluter-Systems. RAPID RECESS is not affiliated with Schluter-Systems. RAPID RECESS products are not manufactured, distributed, warranted or endorsed by Schluter-Systems.



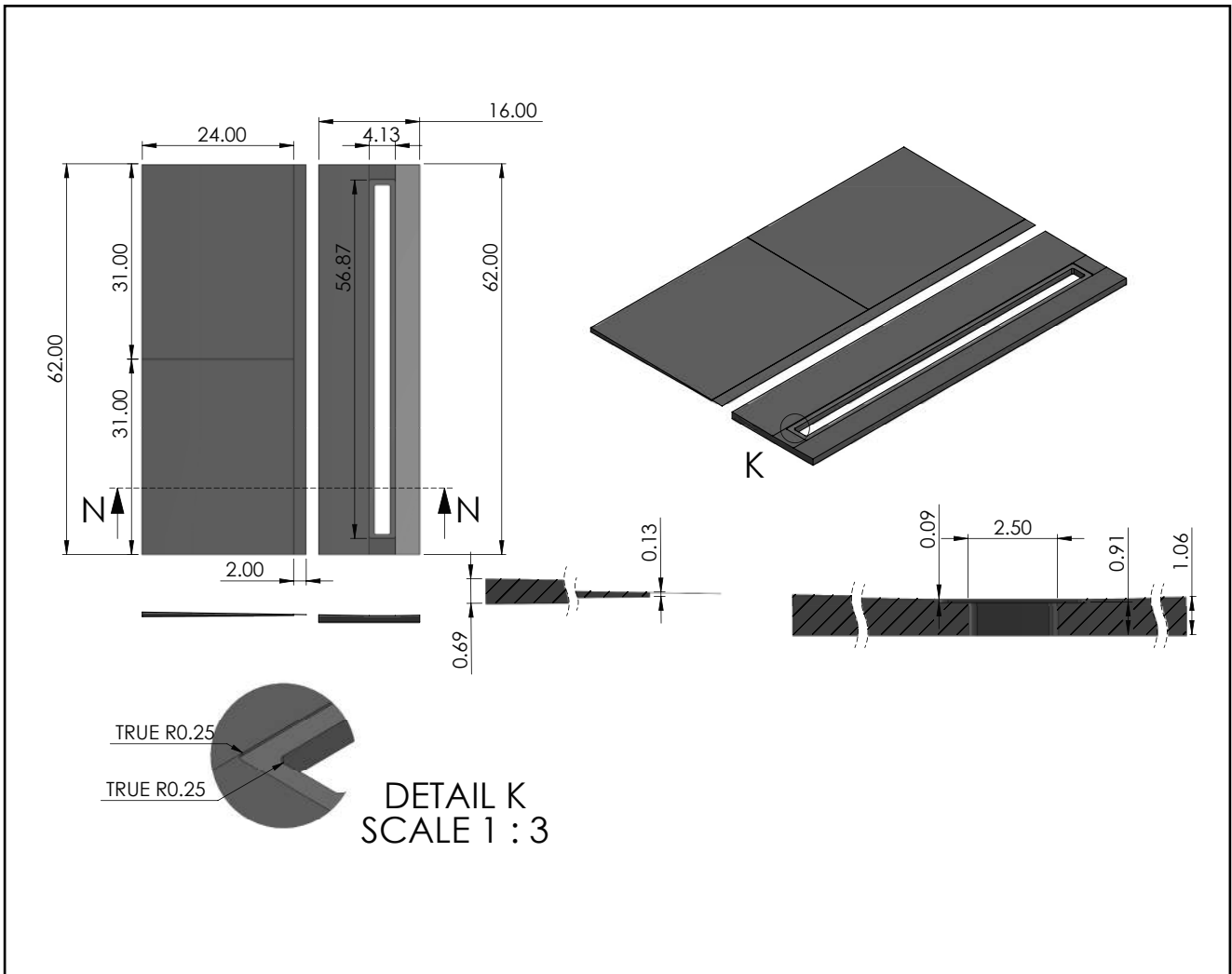
Rapid Recess 970.852.0505 | P.O. Box 2107 Silverthorne, CO 80498 | rapidrecess.com

RAPID

RECESS

Lowering Plywood floors for Curbless Showers

Shower Pan-K Model#RRSPT2CSK



*DISCLAIMER: SCHLUTER, KERDI and KERDI-LINE are trademarks of Schluter-Systems. RAPID RECESS is not affiliated with Schluter-Systems. RAPID RECESS products are not manufactured, distributed, warranted or endorsed by Schluter-Systems.



Rapid Reccess 970.852.0505 | P.O. Box 2107 Silverthorne, CO 80498 | rapidrecess.com