

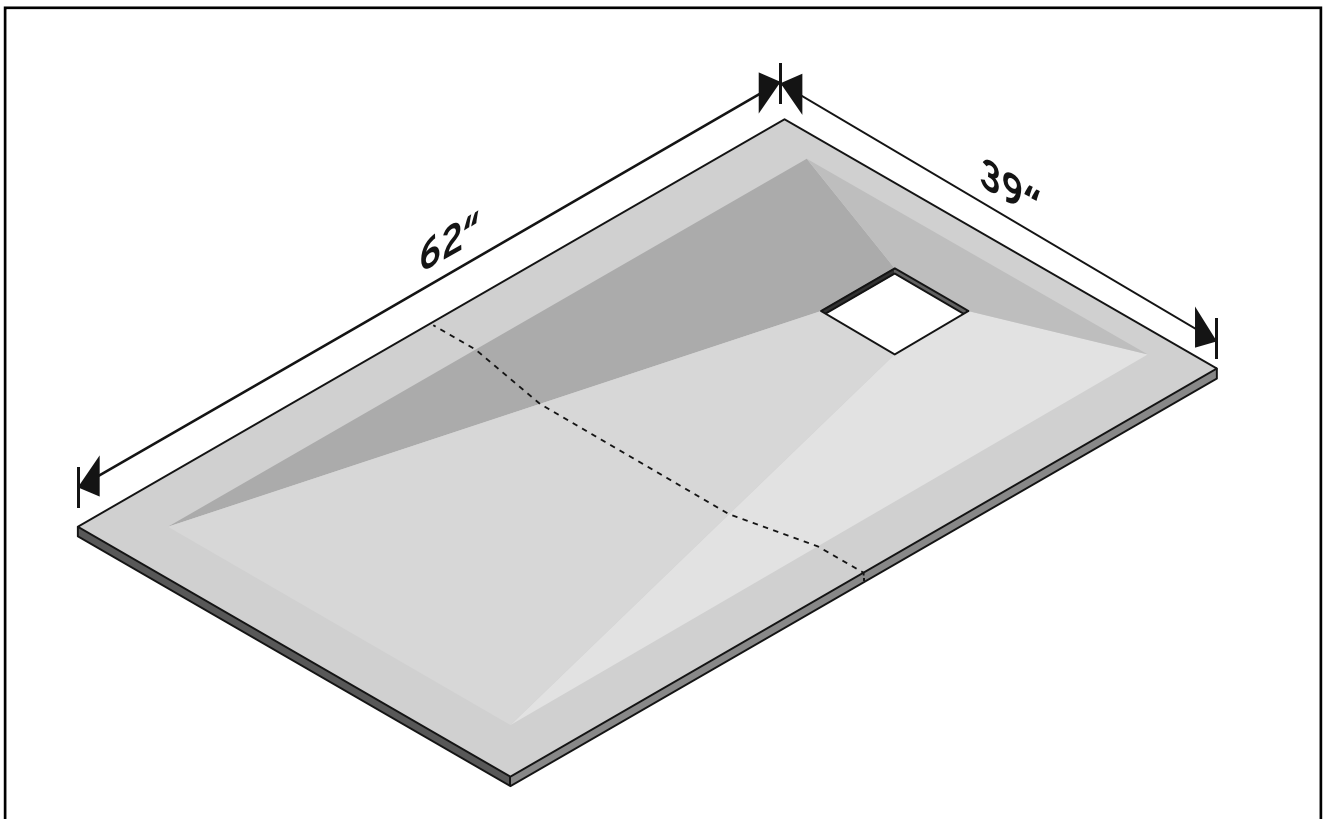
RAPID

RECESS

Lowering Plywood floors for Curbless Showers

Shower Pan-F Model#RRSPT2CSP

- Tub to curbless shower conversion tilable shower pan for **use with** the offset *Schluter-KERDI-DRAIN-F installation on a plywood subfloor
- Pre-sloped with integrated sheet waterproofing membrane



Features:

- Lightweight - 6.5 lbs.
- High compressive strength foam - 145 psi
- 100% post-consumer recycled PET plastic core
- Waterproof with factory applied *Schluter-KERDI waterproofing membrane
- Site sizable to fit existing opening
- ADA compliant

Uses:

For curbless/flush entry shower installation on plywood subfloor with RAPID RECESS Bracket Kit-T15 model #RRT2CS and *Schluter-KERDI-DRAIN-F-model #KDF2FL.

*DISCLAIMER: SCHLUTER, KERDI and KERDI-LINE are trademarks of Schluter-Systems. RAPID RECESS is not affiliated with Schluter-Systems. RAPID RECESS products are not manufactured, distributed, warranted or endorsed by Schluter-Systems.



Rapid Recess 970.852.0505 | P.O. Box 2107 Silverthorne, CO 80498 | rapidrecess.com

