

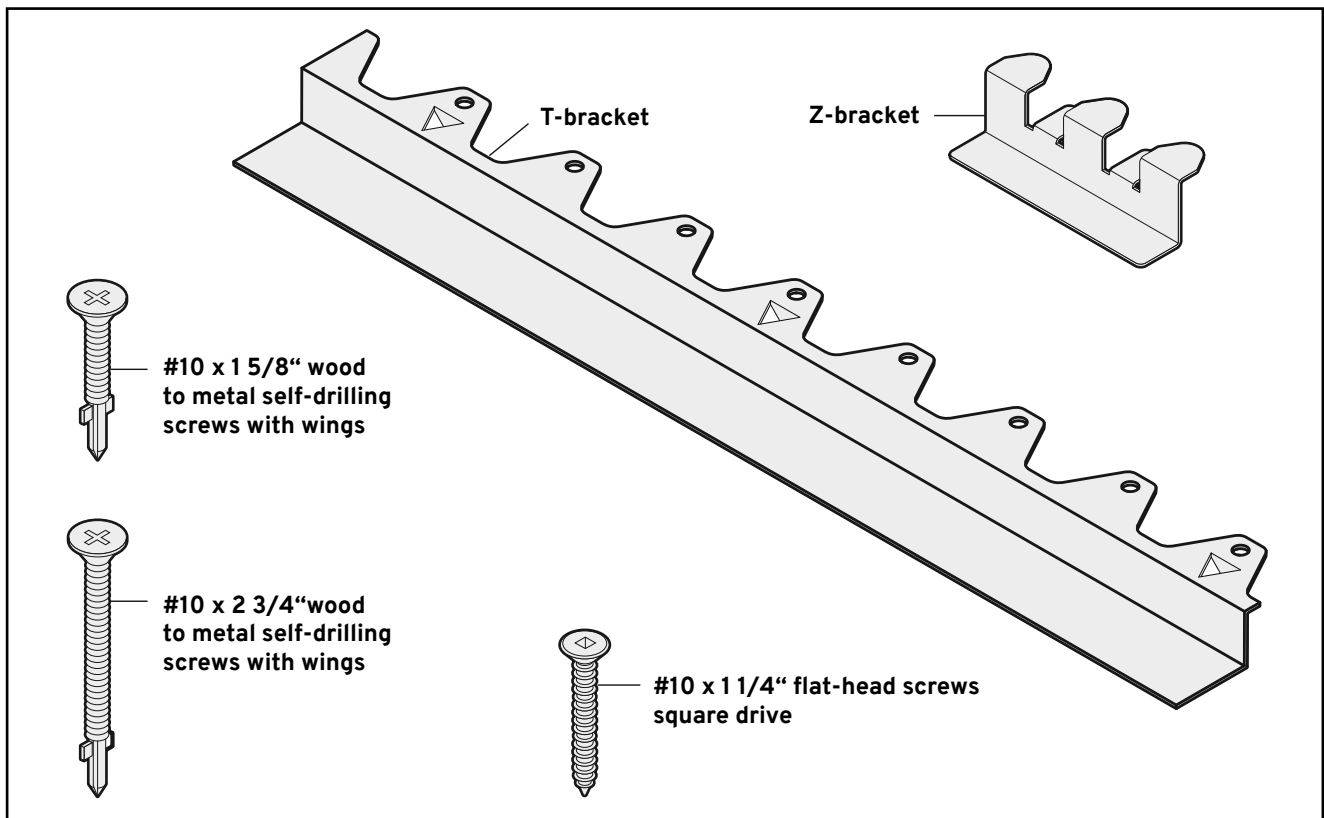
RAPID

RECESS

Lowering Plywood floors for Curbless Showers

Bracket Kit-T15 Model#RRT2CS

- Metal brackets for lowering plywood floors for curbless shower pan
- Made of 16 gauge galvanized steel
- Up to 15 square foot recess (standard tub replacement)



Installation Kit Includes

- T bracket 11 7/8 " long main bracket fastened to the top of floor joist (x16)
- Z bracket - 5" long side bracket used for wall to recess and main floor to recess transitions (x20)
- #10 1 5/8" wood to metal self-drilling phillips screws with wings (x80)
- #10 2 3/4" wood to metal self-drilling screws with wings (x40)
- #10 1 1/4" flat-head screw square drive (x60)

Used

With RAPID RECESS Shower Pan-V and RAPID RECESS Shower Pan-F

Testing

All RR kits and accessories have undergone thorough testing passed Robinson Test C627 for floor assemblies

*DISCLAIMER: SCHLUTER, KERDI and KERDI-LINE are trademarks of Schluter-Systems. RAPID RECESS is not affiliated with Schluter-Systems. RAPID RECESS products are not manufactured, distributed, warranted or endorsed by Schluter-Systems.



Rapid Recess 970.852.0505 | P.O. Box 2107 Silverthorne, CO 80498 | rapidrecess.com

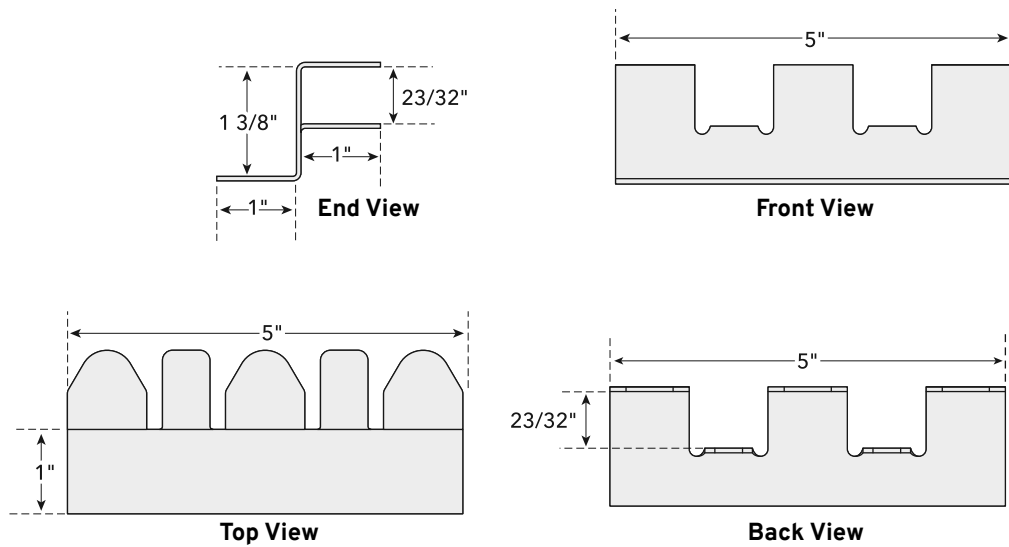
RAPID

RECESS

Lowering Plywood floors for Curbless Showers

Dimensions (Z-bracket)

All measurements +/- 1/32"



Dimensions (T-bracket)

All measurements +/- 1/32"

