

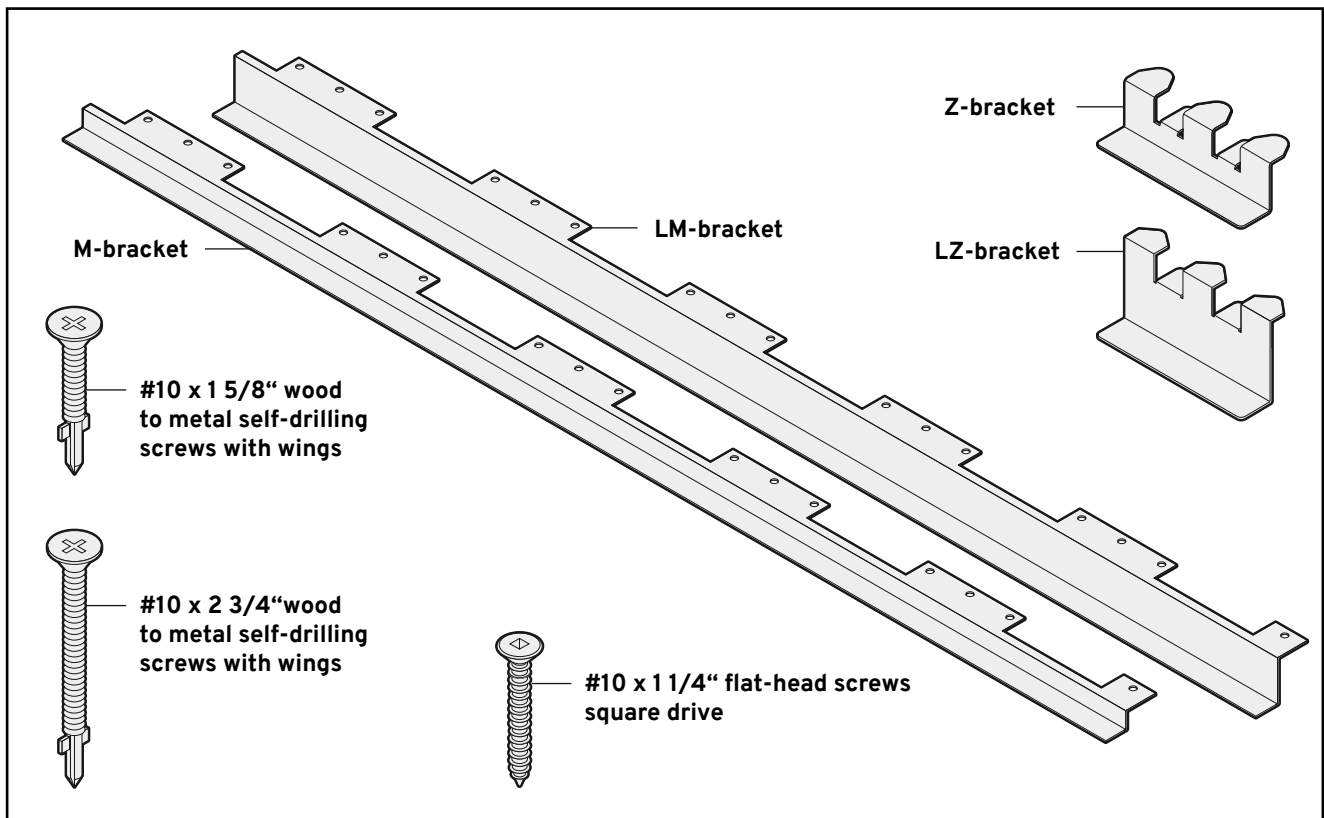
# RAPID

# RECESS

Lowering Plywood floors for Curbless Showers

## Bracket Kit-K15 Model#RRT2CSLDK

- Metal brackets for lowering plywood floors for curbless shower pan
- Made of 16 gauge galvanized steel
- Up to 15 square foot recess (standard tub replacement)



### Installation Kit Includes

- M bracket - 47 3/8" long main bracket fastened to the top of floor joists (x3)
- Z bracket - 5" long side bracket used for wall to recess and main floor to recess transitions (x18)
- LM bracket - 47 3/8" long main bracket fastened to the top of the last floor joist (x1)
- LZ bracket - 5" long side bracket used for wall to recess (x9)
- #10 2 3/4" wood to metal self-drilling screws with wings (x40)
- #10 1 5/8" wood to metal self-drilling screws with wings (80)

### Used

With RAPID RECESS Shower Pan-K model#RRSPT2CSK

### Testing

All RR kits and accessories have undergone thorough testing passed Robinson Test C627 for floor assemblies

\*DISCLAIMER: SCHLUTER, KERDI and KERDI-LINE are trademarks of Schluter-Systems. RAPID RECESS is not affiliated with Schluter-Systems. RAPID RECESS products are not manufactured, distributed, warranted or endorsed by Schluter-Systems.



Rapid Recess 970.852.0505 | P.O. Box 2107 Silverthorne, CO 80498 | rapidrecess.com

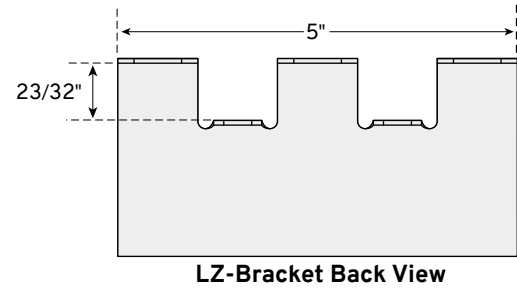
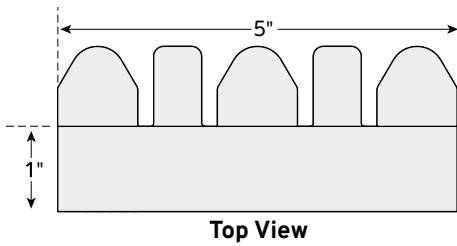
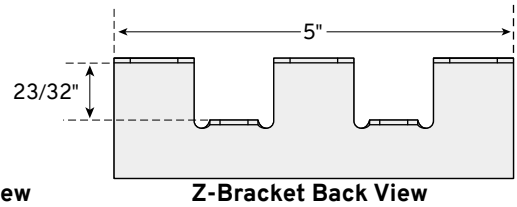
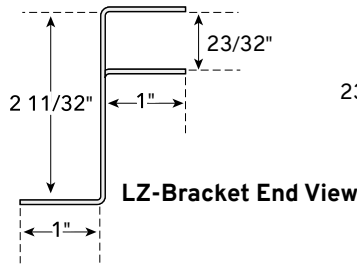
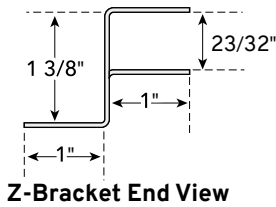
# RAPID

# RECESS

Lowering Plywood floors for Curbless Showers

### Dimensions (Z-bracket and LZ-bracket)

All measurements +/- 1/32"



All measurements +/- 1/32"

