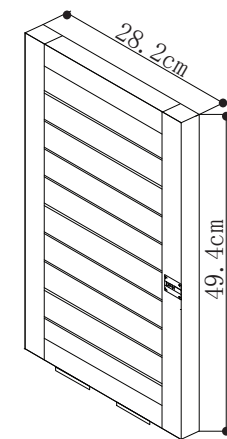
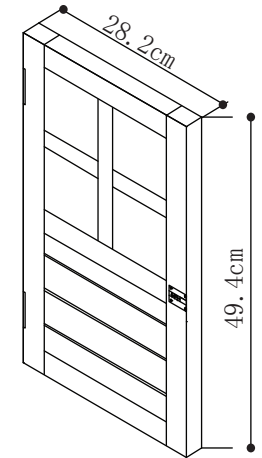
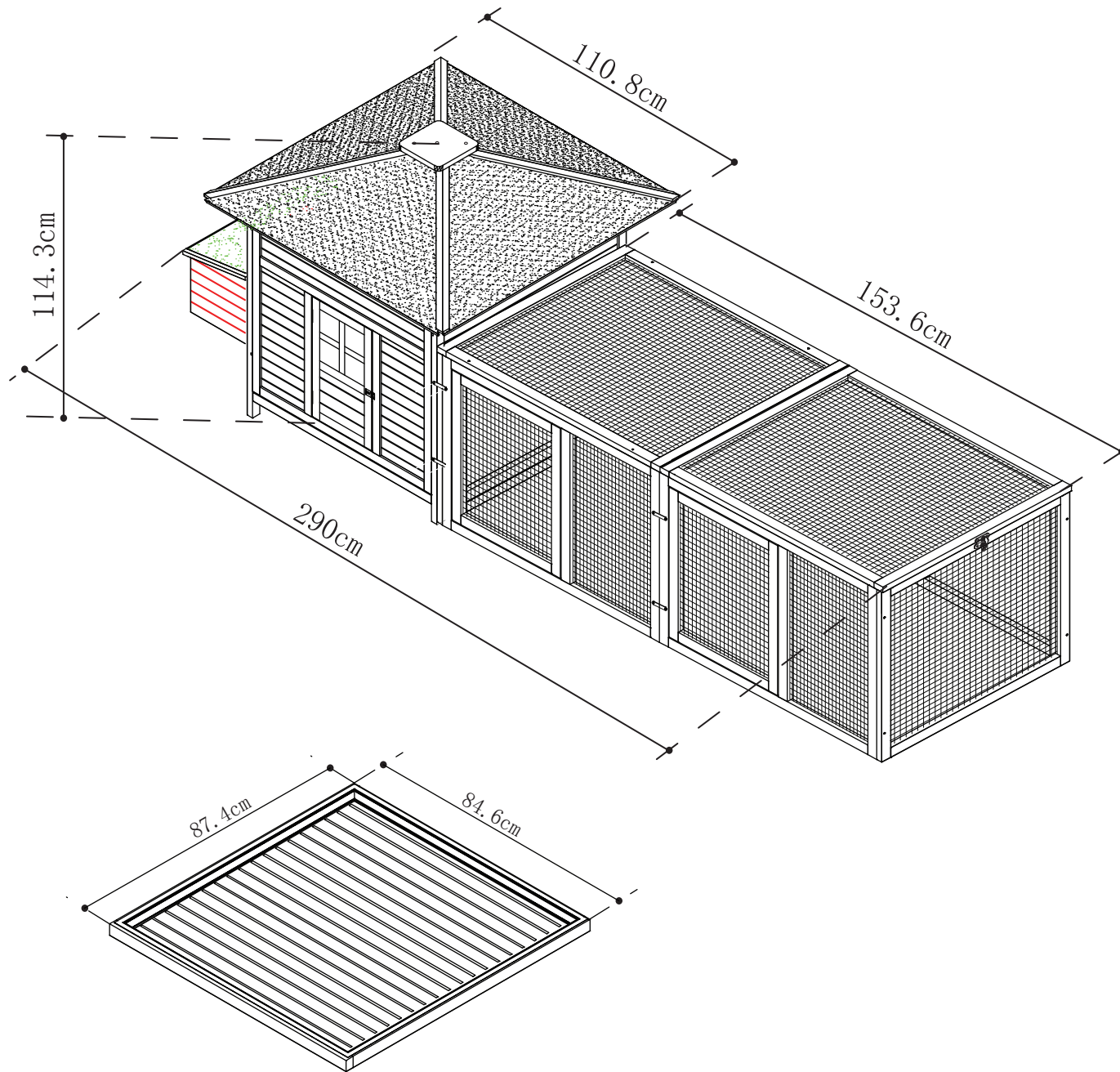


114cm

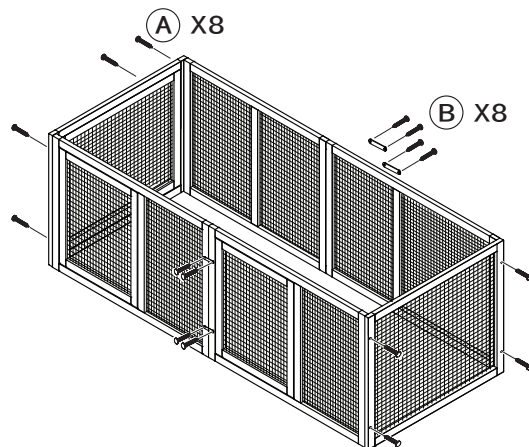
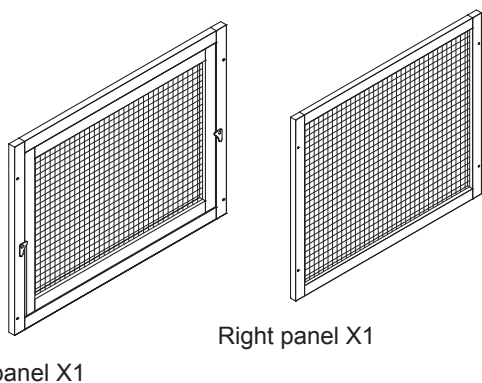
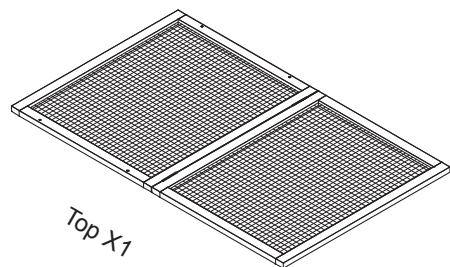
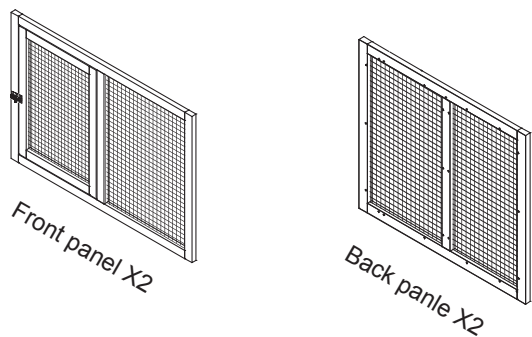
110cm

290cm

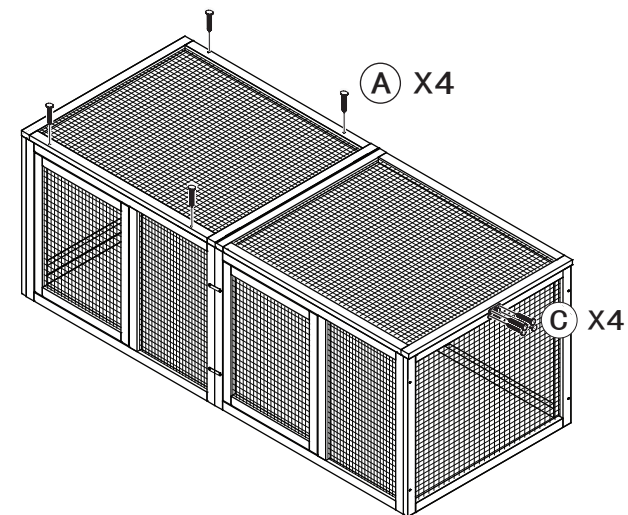


2890

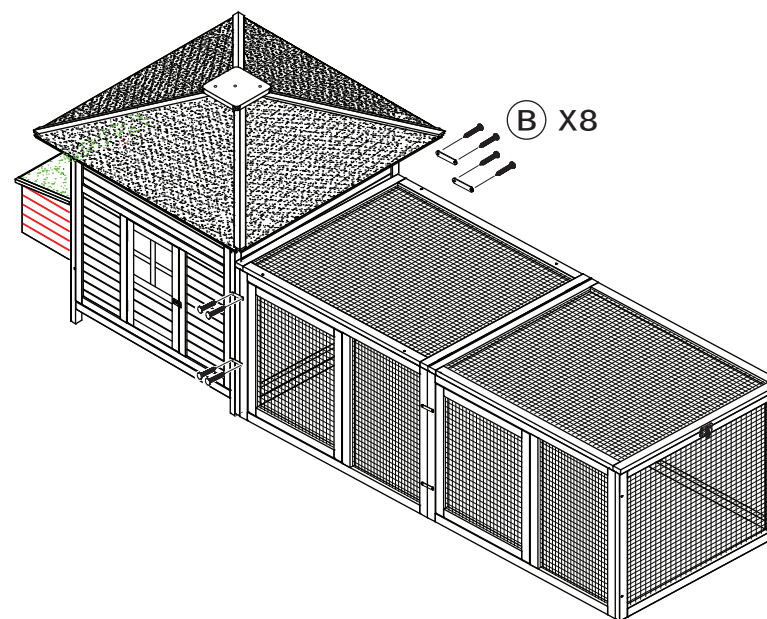
2890 Chicken House Assembly Instruction



Connect the front panel and back with metal connecting with screws B respectively, Then assemble the side panels and front & back panels with screws A.

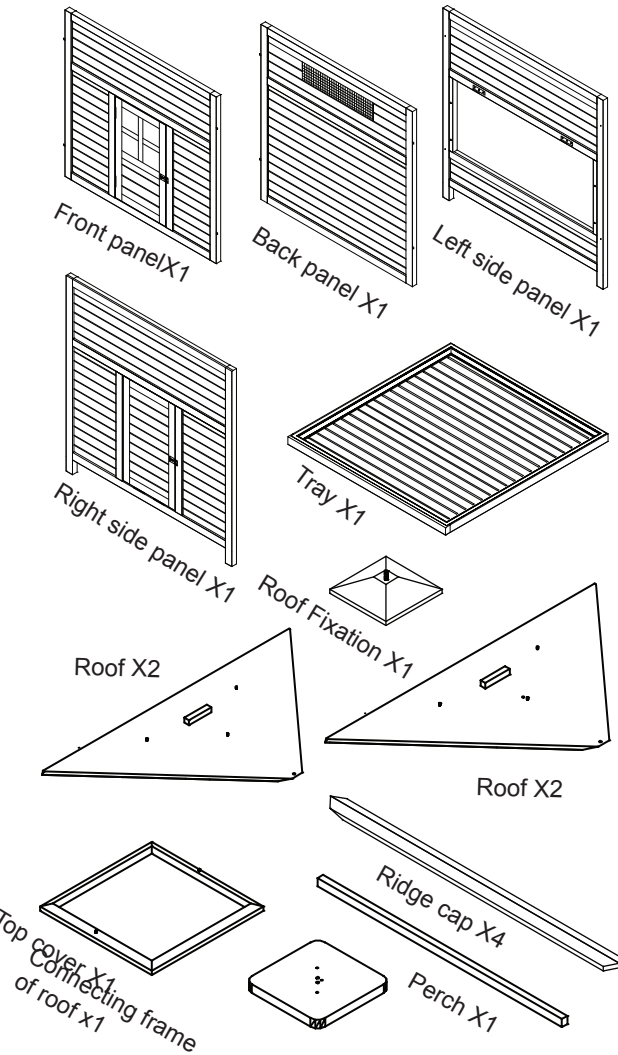









Fix the top with screws A. Then fix the metal hook with screws C.



Combine run and the chicken house by metal connecting with screws B. Finish.

2890 Chicken House Assembly Instruction



- | | | |
|--|--|---|
| (A)  $\phi 3.5 \times 45$ 8+1 | (D)  $\phi 3.5 \times 40$ 3+1 |  |
| (B)  $\phi 3.5 \times 35$ 16+1 | (E)  M6 $\times 55$ 4+1 | |
| (C)  $\phi 3.0 \times 20$ 24+1 | (F)  M6 $\times 60$ 4+1 | |

1 Assemble the side panels and front & back panels with screws A.

2 Put in the tray and perch as per picture shows.

3 Fix roof to the connecting frame and fixation with screws B.

4 Fix ridge cap on the roof with screws C, Then fix the top cover on the roof with screws D.

5 Assemble the side panels of nest box and front & back panels with bolt-nut F.

6 Fix nest box to the chicken house with bolt-nut E.