

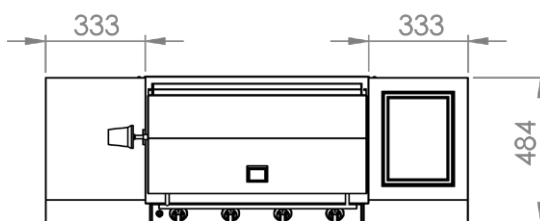
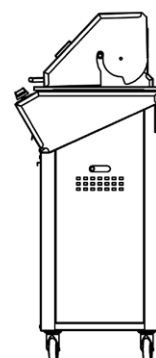
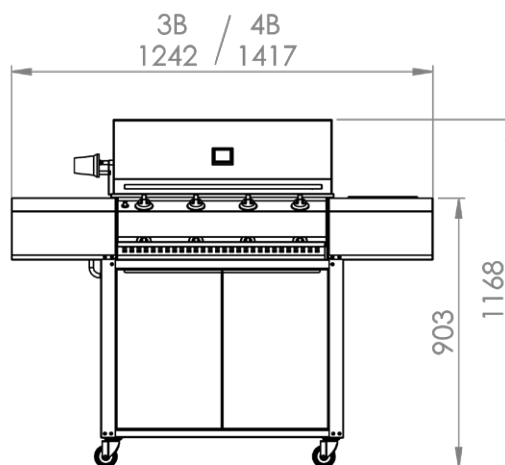


# Sizzler Mobile

- ACCESSORIES & UPGRADES -

The **Sizzler Mobile Braai** is a free standing Gas braai upgrade, capable of being wheeled around your Entertainment area, when you have little available space for a built-In option.

\*Available in 3&4-Burner sizes only



SAFETY, STYLE & QUALITY THAT LASTS

**CHAD-O-CHEF**  
Lifestyle products

Since 1983



# Sizzler Mobile

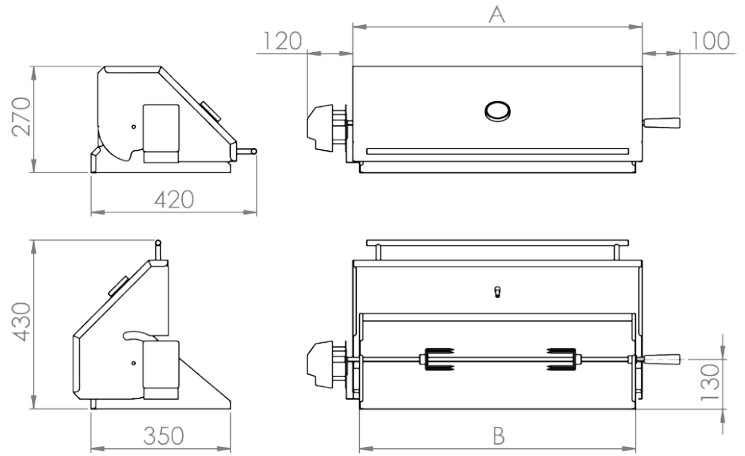
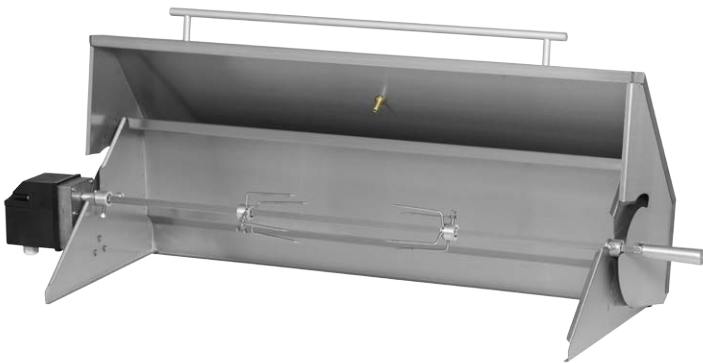
## - ACCESSORIES & UPGRADES -

### ROTISSERIE & DOME

Add the perfect Spit-Braai accessory to convert your Chad-O-Chef Braai into the ultimate flame grilled Spit-Braai experience.

The Rotisserie & Dome add extra cooking options like Roasts, Bakes and even Pizza's!

Combined, The Rotisserie & Dome's High-torque motor keeps your roast turning, whilst the Thermometer gives you peace of mind, leaving you with ample time to concentrate on your guests.

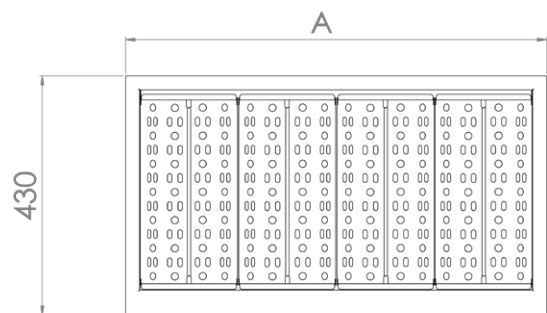


MODEL	SIZE (A)	SIZE (B)
3B	575	525
4B	750	700
5B	975	925
6B	1150	1100

### SIZZLER HYBRID ATTACHMENT

A first of its kind in South Africa, the Chad-O-Chef - Sizzler Hybrid has been designed as a modular upgrade for your new or existing Chad-O-Chef Sizzler gas braai. The removable Ember Baskets work with Gas, Wood or Charcoal! This allows you to convert your Sizzler Gas Braai into a Hybrid braai and customise it further with our extensive range of extras.

\*Only available in a 3&4-Burner option



MODEL	SIZE (A)
3B	575
4B	750

### STIR FRY PANS



Small - 350x350mm  
( 3 Burner + )



Med. - 525x350mm  
( 4 Burner + )



Lar. - 700x350mm  
( 5 Burner + )



**CHAD-O ENGINEERING**  
**T:** 011 668 1910/1 | **F:** 086 612 5431  
 retail@chad-o-chef.co.za | www.chad-o-chef.co.za

