



Hob Grill

- DROP-IN BRAAI -

*The vent-plate & Extractor Hood in the image is not included (Braai Only)

Our streamlined Hob Grill adds a sleek, minimalistic design appeal to your entertainment area, opening up a world of flavour to your braaiing experience.

The Hob Grill is dropped into your counter top. A hinged stainless steel cover cleanly hides your grill away when you're done enjoying that great steakhouse taste.

The Hob Grill comes equipped with a flame failure valve for safe use in indoor kitchens.

*For Indoor use please also see our Extractor Systems

- Available in 3, 4 & 6 Burner Sizes
- LP Gas / Natural Gas Options
- Inland grade / Coastal Grade Stainless Steel
- Various Accessories available



SAFETY, STYLE & QUALITY THAT LASTS

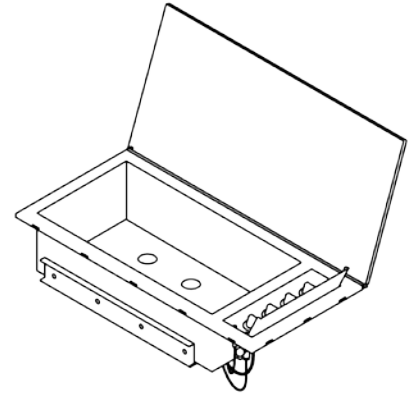
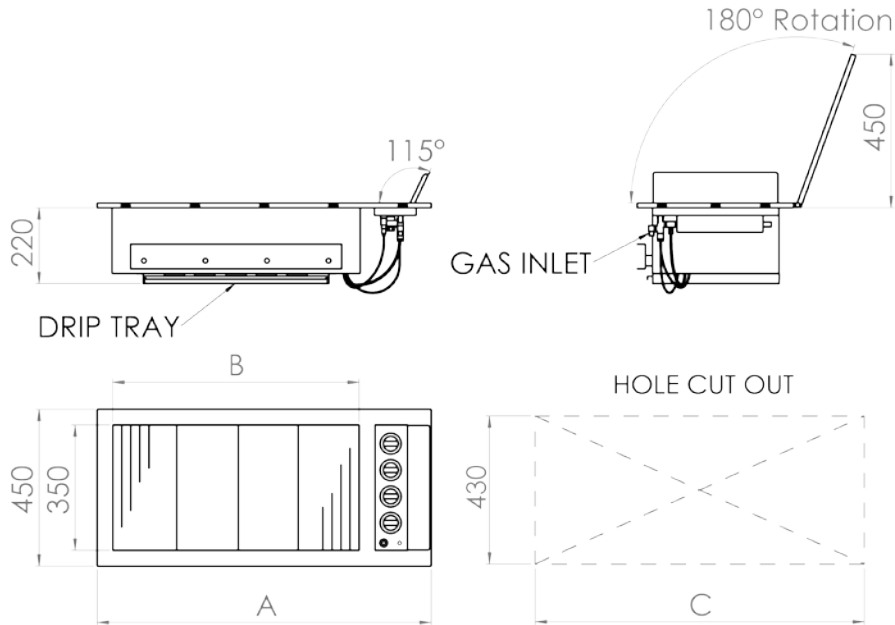
CHAD-O-CHEF
Lifestyle products

Since 1983



Hob Grill

- DROP-IN BRAAI -



MODEL	SIZE (A)	SIZE (B)	SIZE (C)
3B	775	525	725
4B	950	700	900
6B	1550	525 (x2)	1500



INSTALLATION INSTRUCTIONS

The Hob Grill is designed to be dropped into a counter top, with the appropriate amount of crossflow ventilation designed into the cabinetry, and a door to access the drip tray.

The counter top and cabinetry housing the Hob Grill should be lined with fire retardant materials (e.g. ceramic blanket or vermiculite).

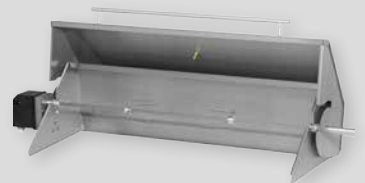
Take care to ensure your permanent Gas Installation is fitted with Copper Piping for a minimum of 1 meter leading to the inlet of the Hob Grill.

*Please ensure you use a certified Gas Installer.

ACCESSORIES



Extractor System



Rotisserie & Dome



Stir Fry Pan

