



Let the flames begin...



INTRODUCTION



Multibraai started making gas and charcoal braais in 1977. This Pretoria based company created the concept of the V shaped braai grid, which drains a lot of the fat from the cooking away from the flames of the grill; thereby minimizing burning of harder to cook foods such as chicken flatties and wors.

They coupled this with an H shaped burner that gives better distribution of heat and when required a hotter heat; as well as a thick stainless steel chassis for the braai that ensures both strength and durability.

For over 30 years their gas braais have been sought after by serious braaiers in SA and across our borders. They enjoy the unique cooking abilities of these products, coupled with the longevity of this brand, which keeps them operating well, when other makes have fallen by the wayside.

From their gas braai base they expanded into and became masters of extraction systems to fit over braais.



Firefox, another Pretoria based company, has been making wood & charcoal braais and open wood fires since 1998. The unique moulded frame on their units has given them a distinctive look much sought after by developers and private clients. In 2006 they commenced making the Infiniti Fires range of trend setting flue-less gas fires, charcoal and gas braais and closed combustion wood stoves.

In December 2013 Firefox and Multibraai merged their operations under one roof, looking to blend the strengths of the two companies into a powerful national manufacturer and distributor of fireplaces, braais and extraction systems.

We invite you to look through our brochures to see the largest range of South African made fireplaces, braais and extraction systems available from one manufacturer. We feel confident you will find a product to enhance your home.



Firefox 700 Contractors - Charcoal

BUILT IN CHARCOAL BRAAIS



FIREFOX 700 CONTRACTORS CHARCOAL

NEW SIMPLE SLEEK ELEGANT

This braai is a new addition to the range. It embodies a simplistic mild steel Braai Box with a 50mm flat steel frame around the unit and a simple charcoal tray and stainless steel grill.

As with all our built in braais it incorporates a light fitting, so that you can see what you are cooking after dusk.



FIREFOX ECONOMY & DELUXE BUILT IN BRAAIS CHARCOAL



Firefox make a range of 5 built in braais, ranging from 700mm up to 1500mm for the serious braaier. They come as standard in mild steel with the moulded frame that has been synonymous with the brand for many years.

The Economy range features a charcoal tray, stainless steel grill, poker tool and built in light fitting. You have the option of fitting doors later should you require.

The Deluxe range has in addition to the Economy units a charcoal starter, upper and lower door, potjie hook, mild steel warming tray and separate ash tray.

The lower door is able to operate as a table to hold your braai meat, spices etc.

The charcoal starter is great at getting charcoal/wood ready to braai much quicker than starting it in the charcoal tray; and enables you to continuously feed charcoal into the braai if you are catering for larger numbers. No stopping the braai whilst charcoal is re-kindled.

OPTIONS

The Deluxe Braai Box and inners are available, made completely in grade 304 Stainless Steel, c/w an 80mm flat frame. Brilliant for coastal applications or for where the client wants greater durability or enhanced looks.

It is also available with the Braai Box made in mild steel and the frame and doors made in Stainless Steel. Great for that visual effect or enhanced durability.



FIREFOX SPIT BRAAI CHARCOAL



Firefox make a built in mild steel Spit Braai capable of doing small roasts, up to a sheep on a spit.

Based on their 1200mm and 1500mm Deluxe Braais with in addition a motor box, 220v electrical motor and spit. The motor is capable of handling carcass weights up to 25kg.

OPTIONS

As with the Deluxe Charcoal Braais both the Spit & Combo Braais are available made completely in grade 304 Stainless Steel or with the combination of the Mild Steel Braai Box c/w Stainless Steel Doors and Frame.

See page 8 for door details.

BUILT IN COMBO BRAAIS MULTIBRAAI COMBO BRAAI CHARCOAL & GAS



Multibraai make a built in 1200mm or 1500mm wide combination braai. These incorporate their No.1 gas grill, allowing easy cooking for those nights that you do not have time to light a charcoal braai; as well as a charcoal cooking section for that enhanced charcoal taste and atmosphere.

They are available as standard in black mild steel c/w an 80mm flat frame, upper and lower doors and built in light.



1200 Combo Braai in 304 Stainless Steel c/w Moulded Trim



BUILT IN DUAL BRAAIS

MULTIBRAAI DUAL BRAAI

CHOICE OF CHARCOAL OR GAS

This unit is new to our range and has the concept that the mild steel Braai Box will equally well take a gas grill or charcoal option. This practice is rare in South Africa in that a lot of manufacturers make one Braai Box that takes a gas unit and a same outer size but internally different Braai Box for the charcoal.

The benefits to the developer/builder are that the Braai Box can be built in as standard on a development, and the choice of cooking method be chosen by the new home owner when they purchase.

For the existing home owner it does offer the versatility of being able to swap easily from charcoal to gas or vice versa if the need arises.

Our unit comes with a single front door that opens and slides back into the Braai Box under the grill. This creates a very stable table on which to stand your meat platter and sundries, and allows you to adjust the depth of the table to suit your requirements.



The gas grill for this option has easily removable Stainless Steel grids with circular bars. These are sized to enable easy cleaning in a normal kitchen sink.

OPTIONS

Choice of gas or charcoal cooking.

This Braai Box and inners (charcoal braai) is available in grade 304 Stainless Steel, c/w 80mm flat frame.



Infiniti Fires Gas Braai c/w Deluxe
Stainless Steel Doors & Frame

Light & Rotisserie switches
built into the frame.



INFINITI FIRES DUAL BRAAI CHOICE OF CHARCOAL OR GAS

In the design of this unit, the designers set out to make the most consumer friendly built in braai on the market. The concept was to have a built in Braai Box that could equally well be used for gas or charcoal cooking, to which different frame/door options could be attached.

Unique on the market are the electrical switches built into the Deluxe Frames to operate the built in light and rotisserie motor. A considerable improvement on those models needing light/plug points built into the wall next to the braai.

The vegetable/warming drawer and the ash removal drawer are in catering quality stainless steel. Stunning to keep your cooked food warm and then carry through to the table.

The doors on the optional frames are hinged to open outwards. Much easier to open and close than dual upper and lower doors. There is a compartment on the one door to hold your spices and hooks on the other to hold your utensils.



A work surface can be simply slid out from the base of the braai. This gives you a work space that is much more stable than braais with lower doors held up by chains. It also enables the user to decide how far they want the work surface to extend.

Great on saving strain on your back leaning into the braai.

OPTIONS

Choice of gas or charcoal cooking.

Standard with 40mm black frame or the optional Deluxe Frame and Doors in Black or Stainless Steel.

Optional spit and rotisserie motor.

The gas option utilises a Chad o Chef 5 burner gas grill.



GAS BRAAIS

MULTIBRAAI BUILT IN BRAAI GAS

These built in Braai Boxes are available in black mild steel c/w an 80mm flat steel trim. The Braai Boxes have an upper and lower door, the latter can be supported on 2 chains to give a working table in front of the braai. They are designed to take the legendary Multibraai No.2 or No.3 gas grill. These units have all the inherent advantages of the Multibraai gas grills in terms of heat output, low fat cooking and longevity of unit.

MULTIBRAAI BUILT IN SPIT BRAAI GAS

The 1200 Multibraai Built In Gas Braai can be supplied as a Spit Braai, with a motor capable of handling a carcass weight of 25kg.

The unique H burners used in the Multibraai gas grills provide up to 8kw of heat each, giving the No.3 gas grill an impressive 24kw of heat. This is capable of cooking a sheep in pretty much the same time that you would do it over a charcoal fire. No other open gas braai in South Africa can boast this feat.



MULTIBRAAI COUNTER TOP GRILL GAS

This gas grill is designed to be installed onto a level platform to support it. This can be a concrete platform outside, in a brick feature chimney; or more typically built in, so that the top of the grill is level with the counter top. This can create a stunning effect on covered patios.

The units are available as a traditional griller or with the added benefit of an oven under the unit. The ovens use the heat from the gas burners to keep plates & cooked food warm or with the removal of the drip tray can do some cooking. The unit is available in 3 different sizes.

OPTIONS

The Braai Box on both the gas braai and gas spit braai models can be supplied in grade 304 Stainless Steel c/w 80 mm flat frame.

See Pg 8 for Stainless Steel cupboard doors to close the space under the braai and create that stunning feature.

See Pg 10 & 11 for more details on accessories and features.



Stainless Steel Door c/w Flat Frame

MULTIBRAAI DROP IN GRILL GAS



These grills are designed to drop into a counter top, very much the same as you would a kitchen hob.

They provide a sleek and stylish option to the more traditional braai look.

Similar to the Counter Top Grills these Drop In grills are available as a traditional griller or with the optional oven built under.

OPTIONS

The unit is available in 3 sizes.

See Pg 8 for Stainless Steel cupboard doors to close the space under the braai and create that stunning feature.

See Page 10 & 11 for accessories and features.

CUPBOARD DOORS UNDER BUILT IN/COUNTER TOP/ DROP IN BRAAIS

Invariably when a built in Braai Box is built into brickwork, there is left a space under the braai that can be used to hold charcoal or a gas bottle to power the braai. These can look unsightly and not in keeping with the rest of your covered patio.

On the Counter Top and Drop In Gas Grilles there is a gap under the units that you may want to close and make the style of the doors match that of the grill.

We make a range of cupboard doors in mild steel or stainless steel that can be fitted to conceal the storage space and to enable the doors to match those on the Braai Box/Gas Grill, giving a very swish effect.

OPTIONAL STAINLESS STEEL FRAME & DOORS ON FIREFOX CHARCOAL BRAAIS

The Firefox range of Built In Charcoal and Spit Braais can be made with the doors and frame in Stainless Steel. This gives a more modernistic look and greater durability.



No.3



No.1

No.2



Spit with 4 Rotating Baskets

MULTIBRAAI TROLLEY BRAAIS GAS

Our trolley braais use our robust Counter Top Grills complete with ovens and are mounted on a sturdy trolley.

They are capable of using accessories such as our Stir Fry Pans, Rotisserie Baskets or the Roasting Dome, making them both a versatile cooker as well as a highly sought after braai.

A 9kg gas bottle will attach to the trolley making the unit easily moveable.

OPTIONS

The unit is available in 3 sizes.

See Page 10 & 11 for accessories and features.

MULTIBRAAI DRUM BRAAI GAS

This mobile gas cooker is ideal for the person who entertains a lot or for the professional caterer.

The unit comes standard with a 220v motor capable of handling 25kg in meat weight, and a stainless steel sheep spit c/w 3 meat brackets. The heavy duty gas burner is equipped with a flexible hose and regulator, enabling you to simply attach a 9kg gas bottle to the trolley, connect the regulator and be cooking.

OPTIONS

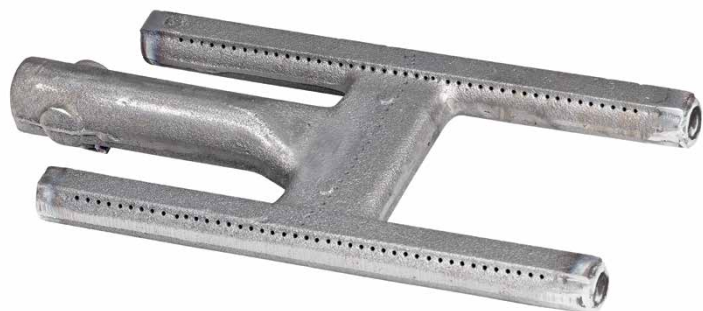
Unit with 50kg motor for heavier loads.

Spit Basket capable of taking chicken flatties, wors and lamb chops etc for easy rotisserie cooking.

Deep Basket enabling up to 20 whole chickens or equivalent size roasts to be rotisserie cooked.

Spit c/w 4 Rotating Baskets enabling up to 40 chickens or equivalent size roasts to be rotisserie cooked.

MULTIBRAAI GAS GRILL FEATURES & ACCESSORIES



H - BURNER

Our cast iron H burner gives an impressive 8kw maximum heat output, the most powerful on the South African Market. It is made out of thick cast iron giving it a tremendous life span. With the occasional service/clean these burners will last well in excess of 10 years.



V SHAPED GRILL & FAT CATCHER

This unique grill system enables you to drain 75% of the fat from the cooking meat into an easily removable fat catcher. This allows some of the fat to drop onto the hot stones and add that smokey flavour to the cooked meat. However the lesser amount of fat burning means a lot less flare up or flame onto the cooking meat and the less potential to burn the meat. Particularly important when cooking chicken or fatty meats.



STIR FRY PAN

Made in 4.5mm thick 3CR12 this pan is brilliant for being able to do breakfast, stir fries, fish or prawns on the grill.

Available in 2 sizes.

Comes with 4 egg rings on the small Stir Fry Pan & 8 on the large.



ROTISSERIE BASKET & CHICKEN SPIT

Chicken flatties and lamb chops can take a fair amount of cooking time on a braai and are prone to burning if care is not taken. Why not put these, along with your wors in our Rotisserie Basket and leave it slowly turning over your grill whilst you entertain your guests. Gives you hands free time on the cooking and ensures a well cooked meal. Note the Rotisserie Basket can be replaced with a stainless steel spit and skewers if you want to do a whole chicken or a small roast over the grill.



ROASTING DOME

Adding a Roasting Dome onto your gas grill will enable you to roast joints/whole chickens on the braai and get that delicious smokey flavour. Who wants to stand in the kitchen cooking a roast on one of our beautiful days when you can be doing this outdoors?

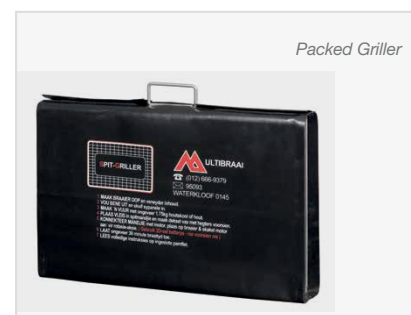
It can also function as a smoker to cook that trout you caught last weekend, or to smoke chickens and the like.



ROASTING DOME, CHICKEN SPIT & ROTISSERIE BASKET

If you take the combination of Roasting Dome, chicken spit / Rotisserie Basket, the meat being cooked will cook faster than on the normal open Chicken Spit set up. It will also stay a little juicier as the closed dome keeps in a little more of the moisture.

MULTIBRAAI PORTABLE SPIT GRILLER



This is a must for outdoor enthusiasts. A portable braai that carries in a briefcase size pack 545mm (W) by 350mm (H) by 85mm (D). It opens out into a braai c/w rotating Rotisserie Basket for easy cooking whilst fishing, on a picnic, or for that weekend away.

For added convenience why not take our charcoal starter that makes lighting charcoal child's play.

OPTIONS

Gas Dome to convert braai to gas. Convenient and ideal for those eco-sensitive areas where open fires are banned.



EXTRACTION SYSTEMS CANOPIES

Multibraai has for many years designed and made Canopies to go over gas braais.

Our extractor fan is the most powerful of those used for domestic applications and enables the Canopy height to be put at about 900mm above the top of the braai. Typically this means 1.8m above floor level and keeps the Canopy out of the way of most people's heads. Our new style standard Canopies are made out of brushed stainless steel c/w swivel lights, giving an excellent finish to your covered patio. Available in 1000mm, 1250mm or 1500mm wide.

They can be installed with either a vertical flueing system through the roof or a rear exit, where there is an external wall. The rear exit system is particularly neat, in that the fan is mounted in the external wall behind the canopy, with a louvre sitting on the external wall, through which the fumes/smoke exit. The only domestic system in SA where this can be done.

OPTIONS

If our standard Canopies will not work for your application we do custom design and manufacture to suit.



FILTER FRAME

Our Filter Frames are designed to be used where there is an existing brick chimney in which a gas grill is operating; but the smoke/fumes are not being drawn properly up the chimney.

An electrical fan is mounted to the top or rear of the chimney to draw the smoke up, and a custom made Filter Frame mounted in the brick chimney above the grill to catch the grease.

The Filter Frames have the same swivel lights and removable filters as our Canopies.





OPEN WOOD FIRES

FIREFOX BUILT IN FIREBOX WOOD

Our open steel fire boxes are designed to be built into a brick chimney. They have a convection heating system, through which cold air is drawn into the rear of the fire, warmed and brought back into the room as warm air.

They come in a choice of 3 sizes and are supplied as standard with a grate and pan and a poker tool to set the adjustable damper control.

They come as standard with the moulded frame for which Firefox has become so well known.

FIREFOX DAMPER UNITS

WOOD OR GAS



There is a call from people wanting to have an open fire that looks like a traditional brick fireplace. To build this type of fire to not smoke, involves some complexity in building a smoke shelf and chimney of the right proportions.

Our steel Damper units come in a range of sizes from 700mm to 1500mm wide. They have all the right sizes and proportions to collect the smoke and push it up the chimney.

They are built into the brick chimney directly above the fireplace opening, so that they are not visible from the room. This gives the effect of an open brick fireplace without the worry of going the more complex brickwork route.

In addition to the ease of installation, our Damper units have an adjustable chimney control designed to maximize heat from the fire. A considerable improvement over a normal brick fireplace.



FLUE-LESS GAS FIRES

The price of gas is currently influencing many people to re-consider how they heat by gas. Flued gas fires produce lots of Carbon Monoxide and Dioxide that needs to be vented up a chimney to be safe. In the process some 70% of the energy in the gas is wasted. Flue-less gas fires are designed to burn the gas with a minimal production of these gases, making them safe to use in open plan living areas.

Our flue-less gas fires all use the legendary Infiniti Fires Flame Dancer mechanism. These industry leading burners produce absolutely minimal quantities of Carbon Monoxide & Dioxide making them very safe to use. They have become the burner of choice by many specialist fireplace shops.

MULTIBRAAI GRATE GAS

Multibraai produces a loose Gas Grate designed to be used inside an existing brick chimney or steel firebox.

Simply close up the chimney opening, (a steel closure plate works well for this) and connect the grate to a gas supply for a high efficiency gas fire in your room.



MULTIBRAAI BUILT IN FIRE GAS

For those wanting a new steel firebox we offer our grate housed in a black mild steel firebox c/w a moulded steel trim. This changes the look of the fire to something bigger and more sophisticated.

MULTIBRAAI DROP IN GRATE GAS

The Multibraai Drop In unit is designed to be dropped into a non-combustible slab (granite, marble, concrete...) It comes with a Stainless Steel frame and white pebbles to create that modernistic look so popular today.

OPTIONS

The Gas Grate and Built in Gas Fires are available with heating capacities of 200m³ or 300m³. The Drop In Gas Fire will heat 400m³.

See rear page for technical and safety information.



INFINITI FIRES FLAME DANCER ABSTRACTS



A range of flue-less gas fires developed by Infiniti Fires using their high tech Flame Dancer grate.

The bodies of these gas fires were designed to be different to the norm currently produced in South Africa. With innovative thinking about minimising steel waste and maximising look and heating capacity.

In line with the great abstract architects and painters of the last century who dared to be different, these units are designed to be both functional and aesthetically pleasing in a minimalist way. We have named our units after some of these great achievers.

INFINITI FIRES PICASSO

The wall mounted Picasso unit, with it's sleek contours, making this a feature to be fitted onto a wall at the same height as a picture.

Designed to be retro-fitted after a wall is complete, by simply bolting it to the wall and connecting it to a gas supply. Ideal as a powerful heater in existing homes or newly built houses.



Infiniti Fires - Picasso



Infiniti Fires - Cezanne

INFINITI FIRES CORBUSIER



The single and double sided Corbusier have a space saving 310mm depth, making them very easy to build into internal brick walls, whilst giving a very stylish appearance.

INFINITI FIRES CEZANNE

The Cezanne units, designed to be freestanding units. An easy retro fit in existing homes.

OPTIONS

The Flame Dancer Abstract units are available with heating capacities of 200m³ or 300m³.

See rear page for technical and safety information.



FIREFOX FLUE FIRE SCREENS

There is currently huge growth in South Africa in the installation of high efficiency wood stoves. These remarkable units, with a pane of glass in front of the flames, produce much more heat than an open fire, are controllable in their heat output, and are environmentally friendly. See our Infiniti Fires brochure or log onto www.infinitifires.co.za for more information.

On some installations there is a need or want, to run a steel flue through an upstairs room above the fire. The flue if left exposed will generate about 2kw of heat, which will heat a room of about 20 square metres. However there is a risk of young fingers touching the hot flue or worse someone dropping flammable clothing or bedding next to the hot flue.

Our Flue Fire Screens are designed to enclose a 150mm diameter flue from floor level to 1.2m above, in a firescreen mesh. This will let the heat out from the flue and stop the potential fire risks.



Domestic Cage



Commercial Cage

FIREFOX GAS CAGES



The use of gas at homes is on the increase, as electricity supply and price has become questionable. If you have more than 100kg of gas on a domestic property the law requires that you have the gas in a lockable steel cage.

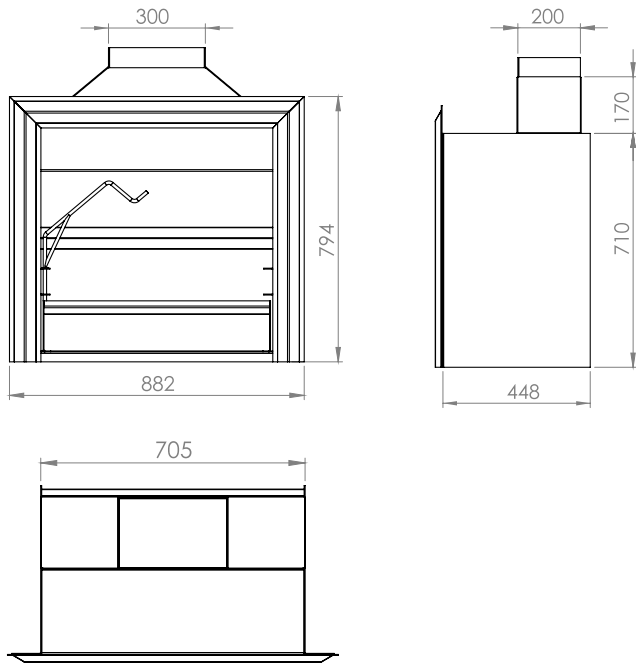
Even if you have less than 100kg, if you have children or staff likely to play with the bottles, you may want to put your gas in a cage to keep unwanted hands away from it. Much safer.

We supply a range of cages from 1 by 9kg bottle up to multiple 48kg bottles. These cages are designed to stand on a flat surface raised out of the way of storm water, typically on a concrete base. They are designed to be bolted to a rear brick wall.

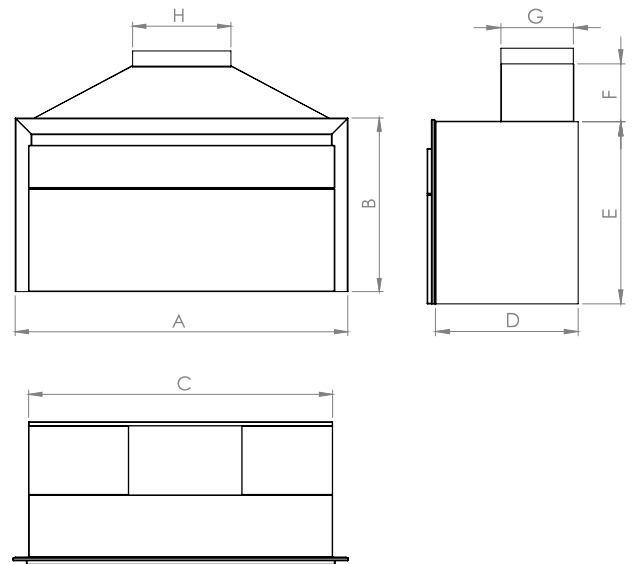
We offer 2 styles of cage, with our Domestic Cage geared for private homes, screening the bottles better; and our Commercial Cage designed for installations with greater than 100kg of gas or where public access to the cylinders is possible.

Our cages all comply with the revised SANS 10087-1 2013.

FIREFOX 700 CONTRACTORS

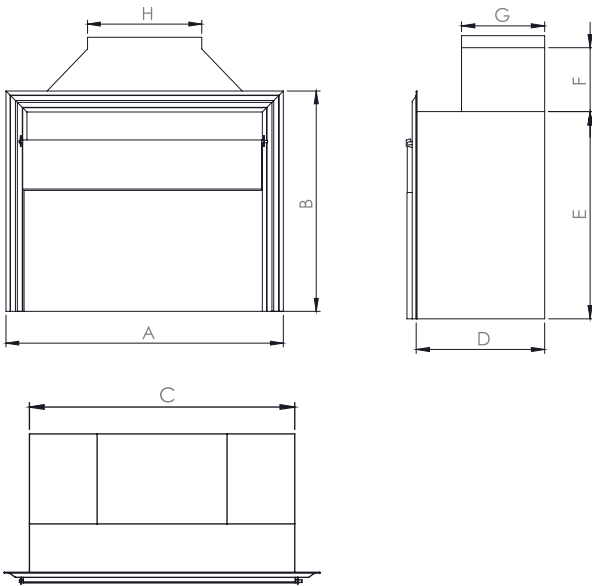


MULTIBRAAI COMBO BRAAI



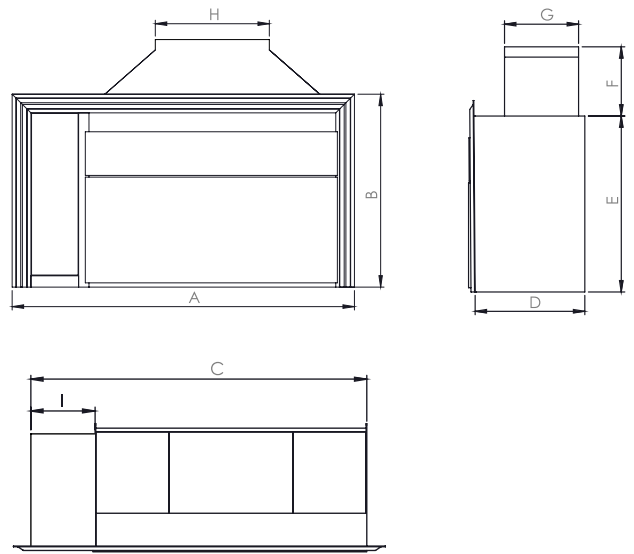
Product	a	b	c	d	e	f	g	h
1200 Combo Braai	1360	866	1205	670	855	272	350	500
1500 Combo Braai	1658	866	1505	670	855	272	350	500

FIREFOX BUILT IN BRAAI



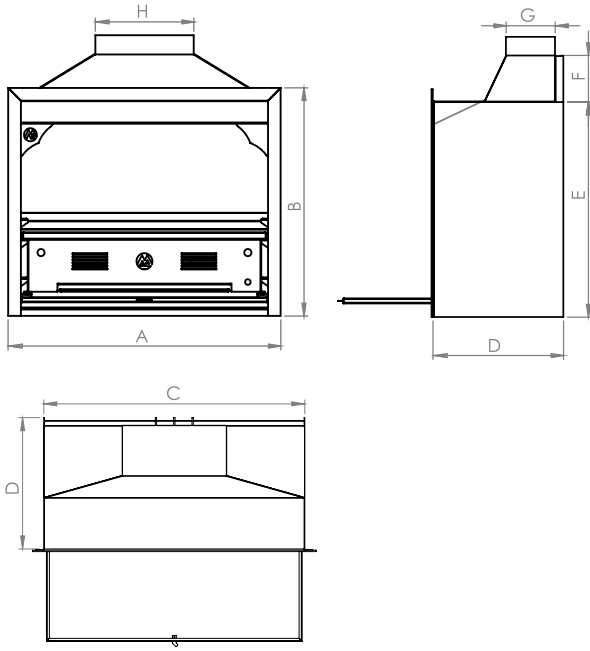
Product	a	b	c	d	e	f	g	h
700 Economy Braai	865	830	705	450	710	170	200	300
800 Economy Braai	965	930	805	530	860	310	200	400
1000 Economy Braai	1165	930	1005	530	860	310	200	400
1200 Economy Braai	1365	930	1205	530	860	310	350	500
Product	a	b	c	d	e	f	g	h
700 Deluxe Braai	865	830	705	450	710	170	200	300
800 Deluxe Braai	965	930	805	530	860	310	200	400
1000 Deluxe Braai	1165	930	1005	530	860	310	200	400
1200 Deluxe Braai	1365	930	1205	530	860	310	350	500
1500 Deluxe Braai	1665	930	1505	645	860	310	350	500

FIREFOX SPIT BRAAI



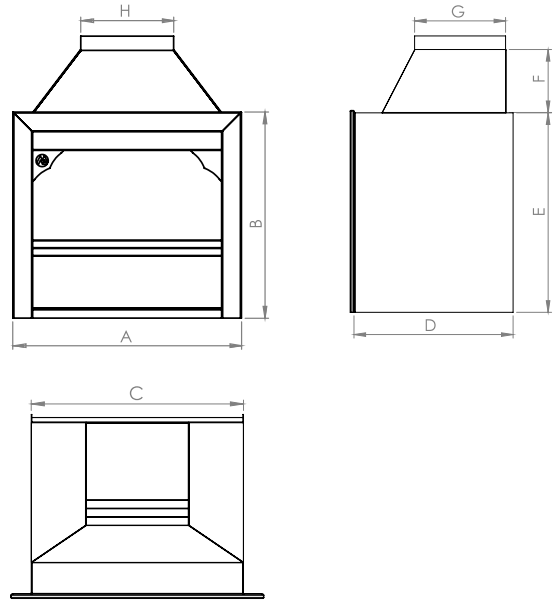
Product	a	b	c	d	e	f	g	h	i
1200 Build-in Braai	1650	930	1490	680	860	310	350	500	280
1500 Build-in Braai	1950	930	1790	680	860	310	350	500	280

MULTIBRAAI DUAL BRAAI



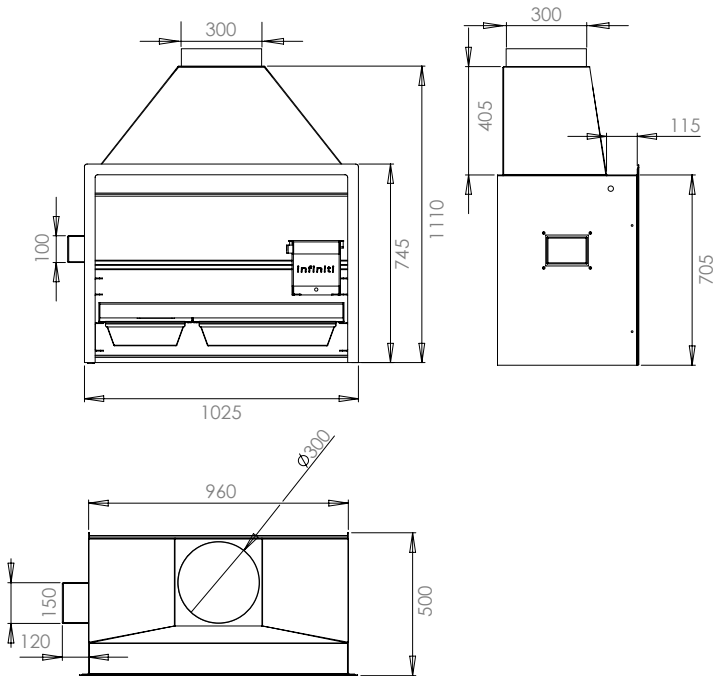
Product	a	b	c	d	e	f	g	h
Dual-Braai	1080	890	995	506	841	182	200	400

MULTIBRAAI BUILT IN GAS BRAAI



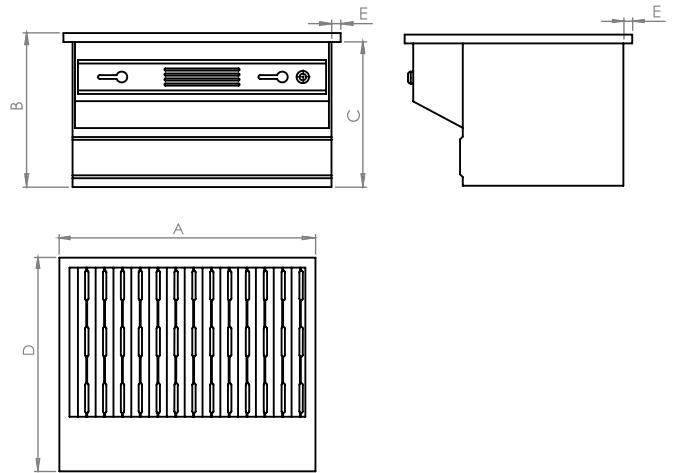
Product	a	b	c	d	e	f	g	h
800 Built-In Braai	945	865	785	680	860	270	370	370
1200 Built-In Braai	1295	865	1135	680	860	270	370	370

INFINITI DUAL BRAAI



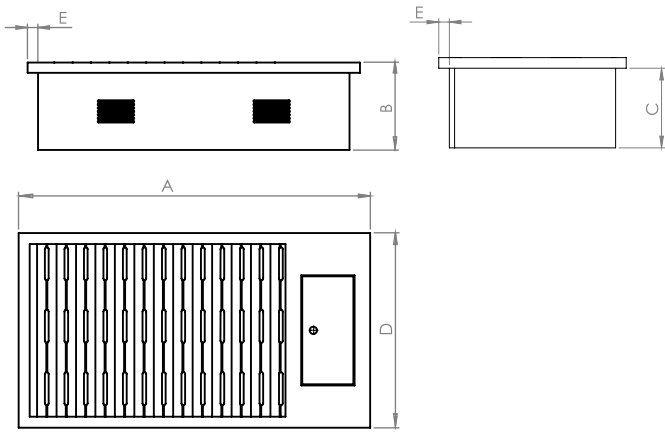
Optional Deluxe Frame Dimensions 1150mm (W) x 750mm (H)

MULTIBRAAI COUNTER TOP GAS GRILL



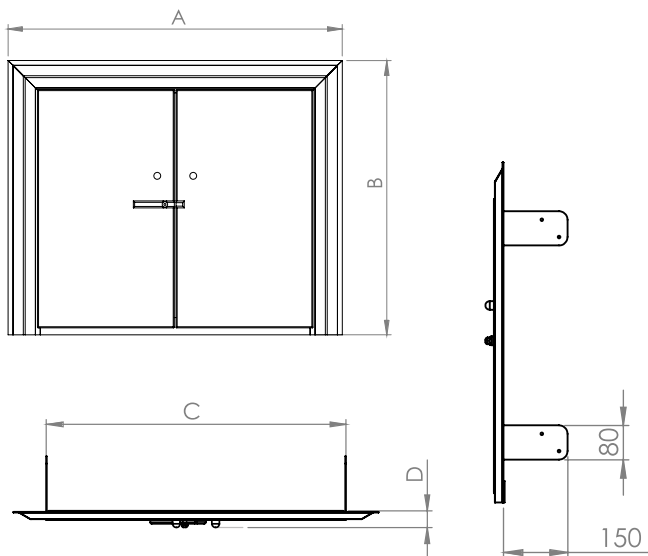
Product	a	b	c	d	e	Counter Cut Out Size
No 1 With Oven	500	430	400	500	30	470 x 470
No 2 With Oven	760	430	400	650	30	730 x 630
No 3 With Oven	1100	430	400	650	30	1070 x 630
No 0 No Oven	500	255	225	500	30	470 x 470
No 1 No Oven	500	255	225	650	30	470 x 630
No 2 No Oven	760	255	225	650	30	730 x 630
No 3 No Oven	1100	255	225	650	30	1070 x 630

MULTIBRAAI DROP IN GAS GRILL



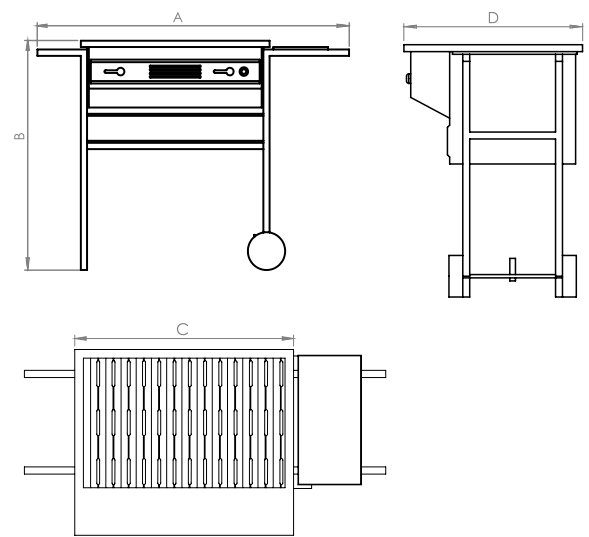
Product	a	b	c	d	e	Counter Cut Out Size
No 1 With Oven	700	430	400	525	30	670 x 495
No 2 With Oven	950	430	400	525	30	920 x 495
No 3 With Oven	1300	430	400	525	30	1170 x 495
No 1 No Oven	700	255	225	525	30	670 x 495
No 2 No Oven	950	255	225	525	30	920 x 495
No 3 No Oven	1300	255	225	525	30	1170 x 495

CUPBOARD DOORS UNDER BUILT IN / COUNTER TOP / DROP IN BRAAI



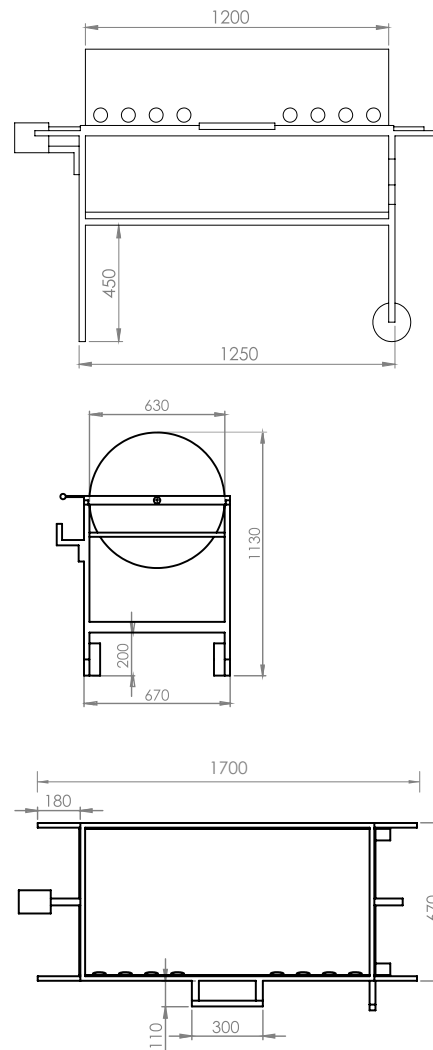
Product	a	b	c	d
800 Cupboard Doors	960	700	860	45
1000 Cupboard Doors	1160	700	1060	45
1200 Cupboard Doors	1360	700	1260	45
1500 Cupboard Doors	1660	700	1560	45
Counter Top Models				
No 2 No Oven	770	640	770	45
No 2 With Oven	770	500	770	45
No 3 No Oven	1120	640	1120	45
No 3 With Oven	1120	500	1120	45
Drop in Models				
No 2 No Oven	950	850	950	45
No 3 No Oven	1300	850	1300	45

MULTIBRAAI TROLLEY BRAAI



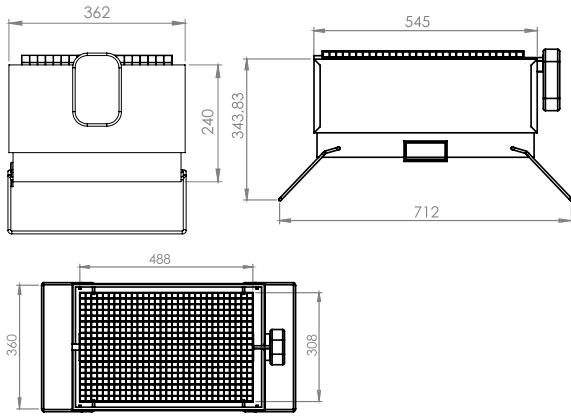
Product	a	b	c	d
No 1 Trolley Braai	980	850	500	650
No 2 Trolley Braai	1255	850	760	650
No 3 Trolley Braai	1740	850	1100	650

MULTIBRAAI DRUM BRAAI

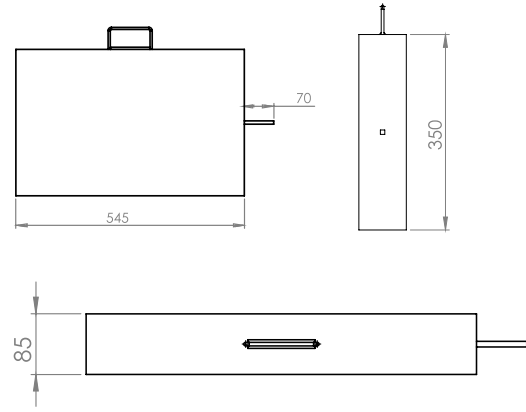


MULTIBRAAI PORTABLE SPIT GRILLER

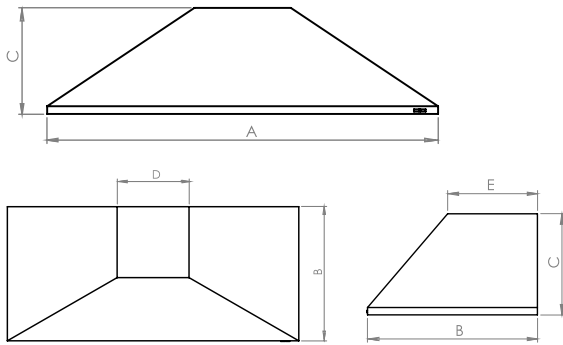
DIMENSIONS WHEN OPERATING



DIMENSIONS WHEN PACKED

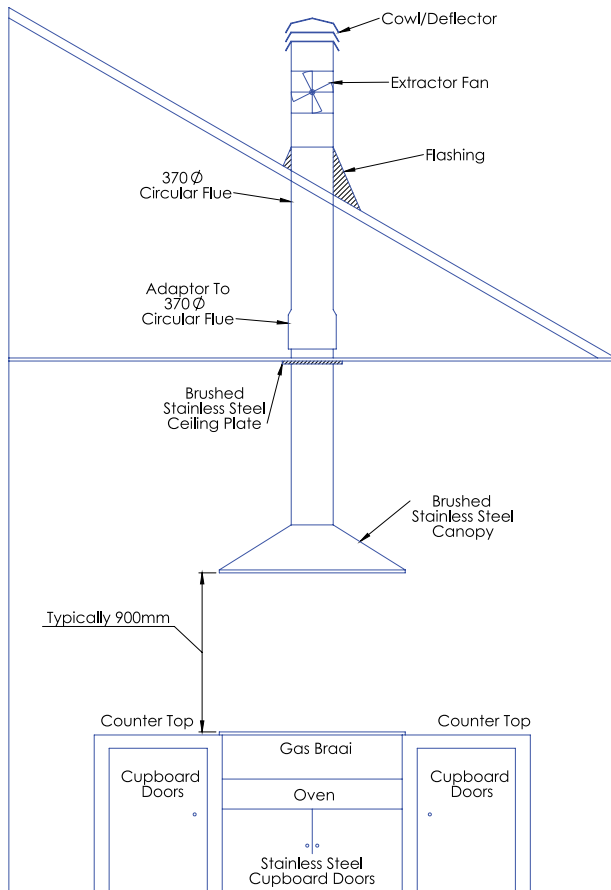


MULTIBRAAI CANOPIES

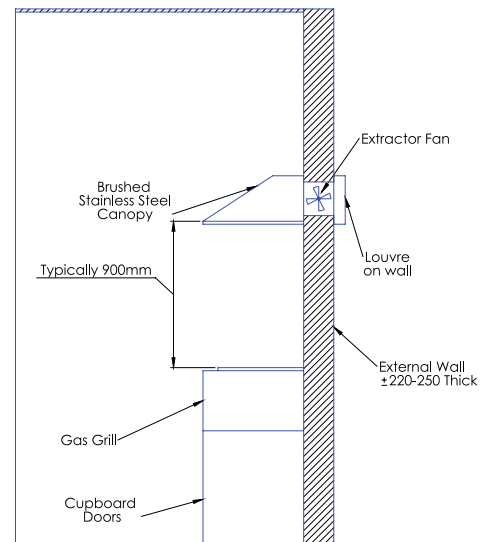


Product	a	b	c	d	e
1000 Canopy	1000	700	410	370	370
1250 Canopy	1250	700	410	370	370
1500 Canopy	1500	700	410	370	370

TYPICAL INSTALLATION TOP EXIT

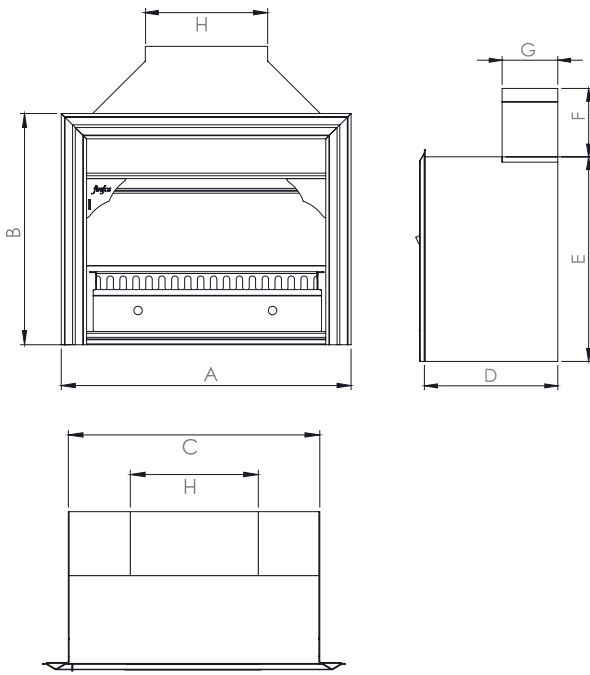


TYPICAL INSTALLATION REAR EXIT



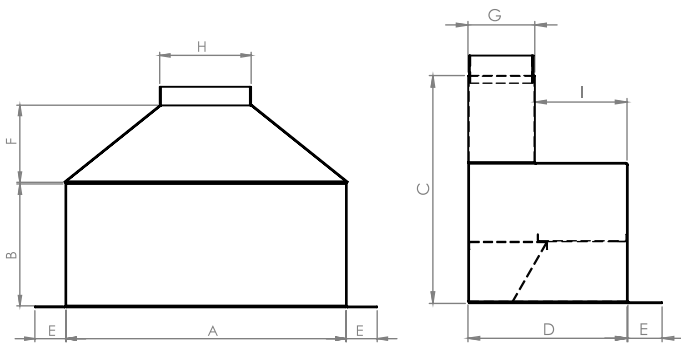
OPEN WOOD FIRES

FIREFOX BUILT IN FIREBOX



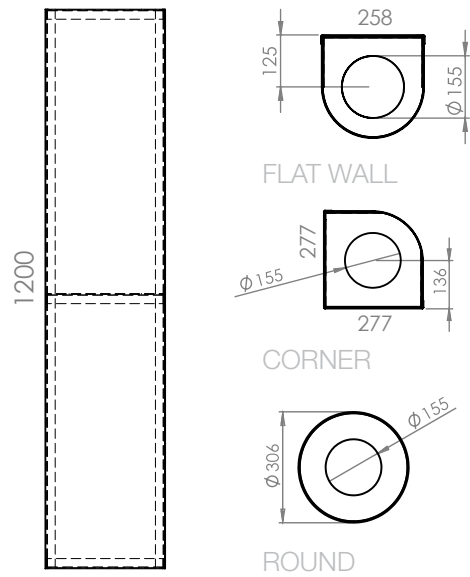
Product	a	b	c	d	e	f	g	h
700 Built-in Fireplace	860	775	705	490	750	300	200	300
800 Built-in Fireplace	960	775	805	490	750	300	200	400
1000 Built-in Fireplace	1160	775	1005	490	750	300	200	400

FIREFOX DAMPER UNITS

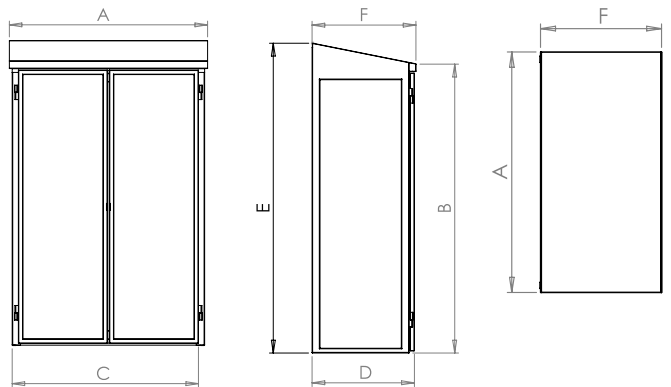


Product	a	b	c	d	e	f	g	h	i
700 Damper	750	400	600	405	100	200	200	200	210
850 Damper	900	400	650	455	100	250	200	300	265
1050 Damper	1100	400	700	505	100	300	200	400	310
1200 Damper	1250	400	700	505	100	300	350	500	155
1500 Damper	1550	400	700	505	100	300	350	500	160

FIREFOX FLUE FIRE SCREENS

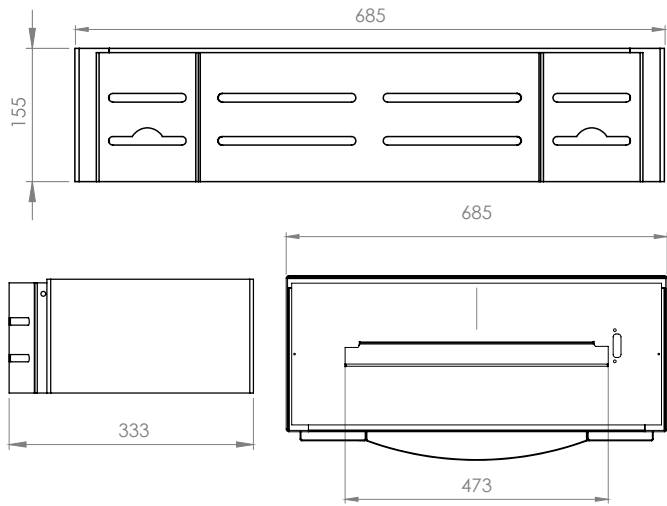


FIREFOX GAS CAGES

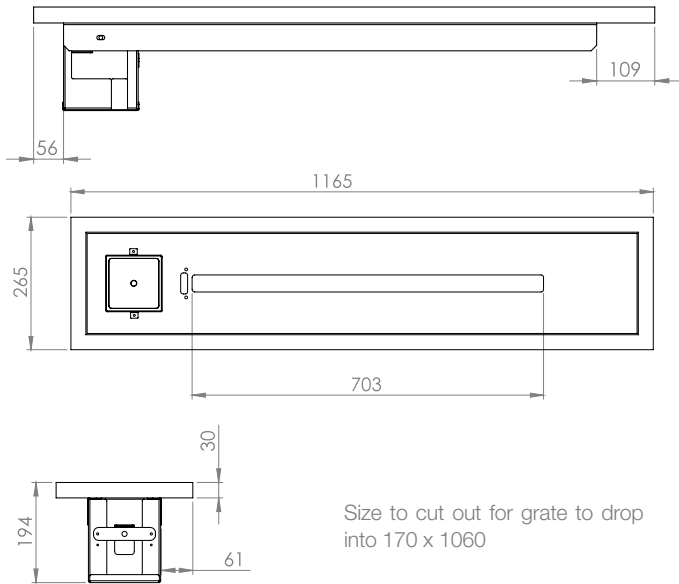


Product	a	b	c	d	e	f
9kg Gas Cylinder Cage Single	500	692	450	460	797	460
9kg Gas Cylinder Cage Double	1040	692	1010	460	797	460
19kg Gas Cylinder Cage Single	500	1090	450	477	1200	487
19kg Gas Cylinder Cage	1040	1090	1010	477	1200	487
48kg Gas Cylinder Cage Single	560	1495	525	530	1600	530
48kg Gas Cylinder Cage	1040	1495	1010	530	1600	530

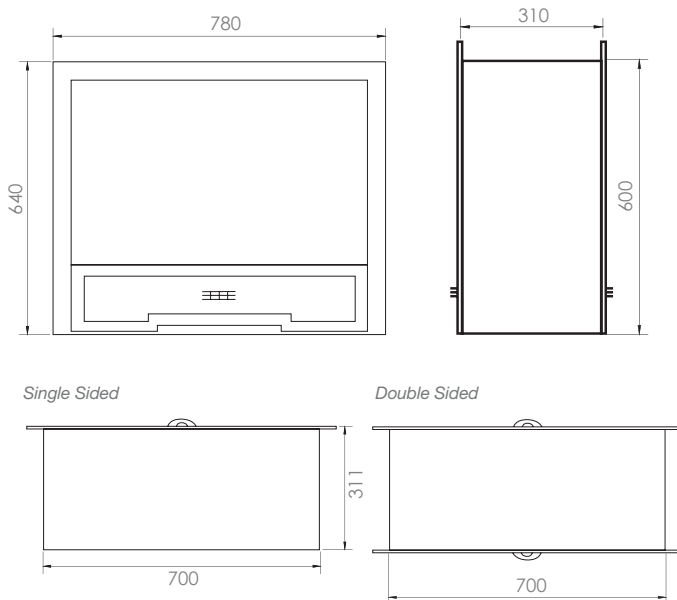
FLUELESS GAS FIRES
MULTIBRAAI GAS GRATE



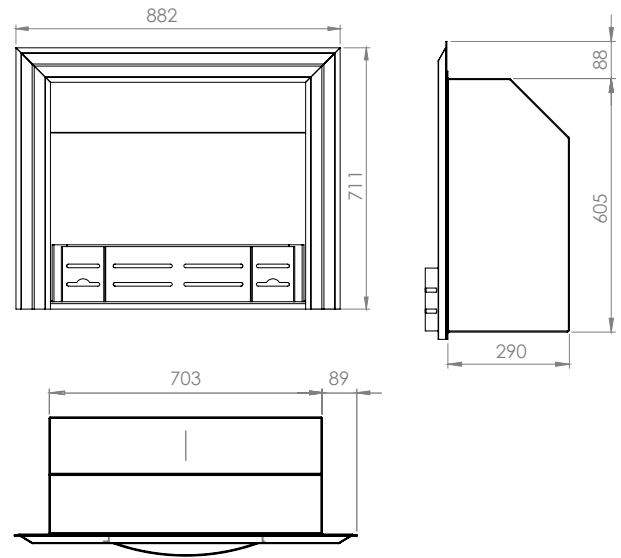
MULTIBRAAI DROP IN GAS GRATE



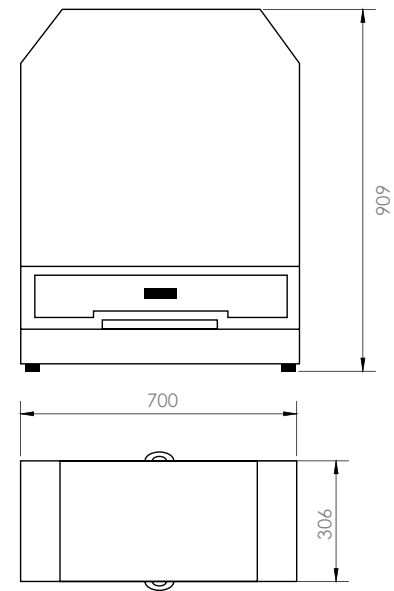
INFINITI FIRES CORBUSIER



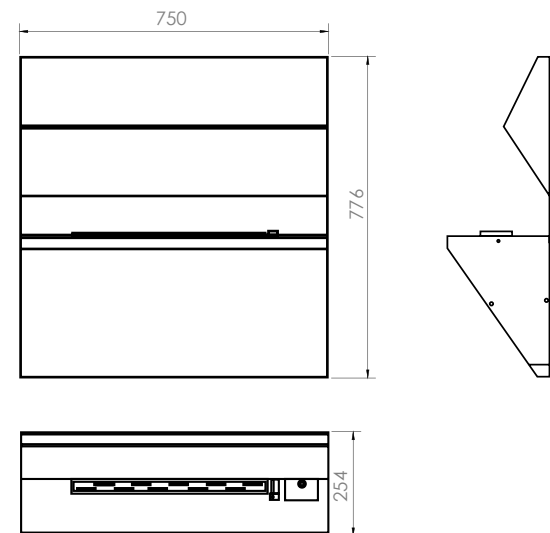
MULTIBRAAI BUILT IN GAS FIRE



INFINITI FIRES CEZANNE



INFINITI FIRES PICASSO



Unit	Heat Output	Heating Capacity	Gas Consumption		Legal Minimum Room Size	Cross Ventilation Required*
			g/hr			
	Kw	m³	Lo	Hi	m³	cm²
Flame Dancer 200 Grate	5 Kw	200	150	300	60	2 x 98
Flame Dancer 300 Grate	7 Kw	300	250	490	98	2 x 160
Multibraai Drop in Grate	10 Kw	400	450	740	148	2 x 240

* Cross Ventilation is required if your room is smaller than the legal requirement.

The Flame Dancer Abstracts, Multibraai Gas Grate and Multibraai Built in Gas Fire are available with either a FD200 Grate with 5kw output (suitable for smaller rooms) or a FD300 Grate with 7kw heat output for larger rooms.



SAFETY COMES FIRST

All our flue-less gas fires are equipped with flame failure devices. This ensures that the gas supply is automatically switched off should the pilot light cease burning. Our flue-less gas fires also have an oxygen depletion sensor which will switch off the fire if it detects a low level of oxygen in the room.

These safety devices make these units very safe to use. As flue-less gas fires consume oxygen and produce Carbon Monoxide/Dioxide, adequate air supply is essential to ensure peak performance from them. Please refer to the table detailing the minimum room size our flue-less appliances should be installed in. It is ideal that some ventilation occur, either in the form of air bricks or gaps around doors/windows, so that fresh air can be introduced and stale air removed. Chat to the salesman or gas installer you are using regarding the requirement for your application.

It is illegal to install any flue-less gas fire in a bedroom or bathroom. In the event you wish to install one of our fires in a bedroom or bathroom a flued gas fire must be used.

Our flue-less gas fires have recorded CO/CO2 ratios of approximately 4 to 25% of the maximum legal/safe limit set by the authorities of South Africa. These low figures put them at the forefront of technology in South Africa, which guarantees not only their safe usage but also virtually odourless operation, an essential component of a superior flue-less gas fire.

It is a legal requirement that all gas appliances be installed by a gas installer registered by SAQCC-Gas. Please verify that your installer is registered by asking to see his "drivers licence" style registration card.

WARRANTY

Firefox warrants the soundness of their steel fire and braai boxes and frames from defects in materials or workmanship for a period of 10 years from date of purchase.

Firefox warrants gas components in their gas fires or braais for a period of 3 years from date of purchase.

To validate the warranty the customer must produce proof of purchase so that the date can be verified.

The warranty does not cover rusting. The majority of our product is made of mild steel that will rust under corrosive conditions.

The warranty will not apply if;

- The customer cannot provide proof of purchase.
- The gas appliance has not been installed by a registered gas installer.
- The unit was not installed in accordance with the manufacturer's instruction book.
- The damage was caused by the unit operating outside of its normal working state.
- The gas units were not serviced in accordance with the recommended servicing.

If a claim arises under this warranty Firefox will at its sole discretion either repair or replace the affected unit.

As Firefox does not do the installation of these units they accept no responsibility for the installation thereof.

Firefox shall not be liable for any consequential damage arising out of the use of its units.

Firefox continues to develop and improve its product. It reserves the right to change specifications without prior notification.

Firefox (Pty) Ltd

104 Van Tonder Street, Sunderland Ridge, Centurion

P.O. BOX 86, Wierda Park, 0149

Telephone: (012) 666 9379

Fax: (012) 666 9100

Email: info@firefox.co.za | multibraai@mweb.co.za

Website: www.firefox.co.za | www.multibraai.co.za

