



ITG Maxogen Filter Guide

January 2020



JC62

Small
Cone

Rubber
Neck

Full
Cone

Large
Cone

Mega
Maxogen



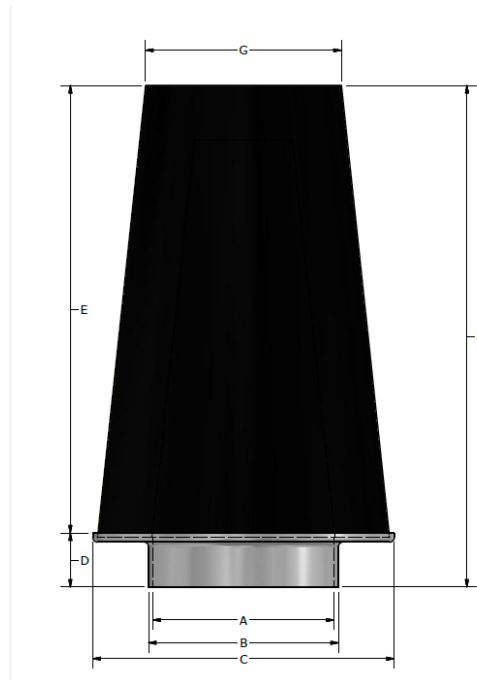
Part No.	Description
JC62	Filters sizes /60/70
JC60 Small Cone	Filters sizes /58C/60C/63C/67C/70C/73C/78C/84C
JC60 Rubber Neck	Filter sizes /70/76/80
	Filter sizes /89/102/114/127
JC60 Full Cone	Filters sizes /58FC/60FC/63FC/67FC/70FC/73FC/78FC/84FC
JC60 Large Cone	Filters sizes /80C/86C
	Filter sizes /93C/99C
	Filter sizes /114C/124C
JC60 MegaMaxogen	Filters sizes /80MM/86MM
	Filter sizes /93MM/99MM
	Filter sizes /114MM/124MM

Special Order Only	
JC60 Small Cylinder	Filters sizes /58/60/63/67/70/73/78/84
JC60 Large Cylinder	Filters sizes /80/86
	Filter sizes /93/99
	Filter sizes /114/124
	Filter sizes /149



JC62 Conical Filters

This much smaller filter is best suited to smaller capacity normally aspirated engines. These are typically used on Formula Student cars.



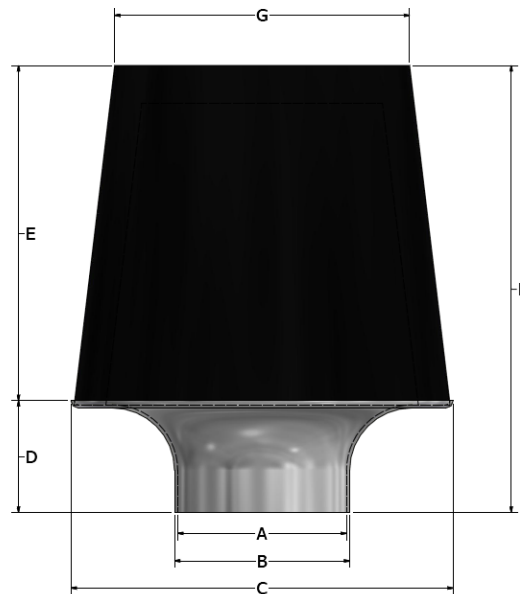
Part Number	A Neck ID	B Neck OD	C Spinning Diameter	D Spinning Height	E Foam Height	F Total Height	G Top Diameter
JC62/60	60	63	100	20	150	170	65
JC62/70	70	73	100	20	150	170	65

Website Link: <https://www.itgairfilters.com/product/jc62-jc62/>



JC60/XXC (Small Cone)

These JC60 filters are built onto our smaller 149mm diameter aluminium spinning. These filters use our small plastic filter support cage which is cut down to give a total foam height of 121mm.



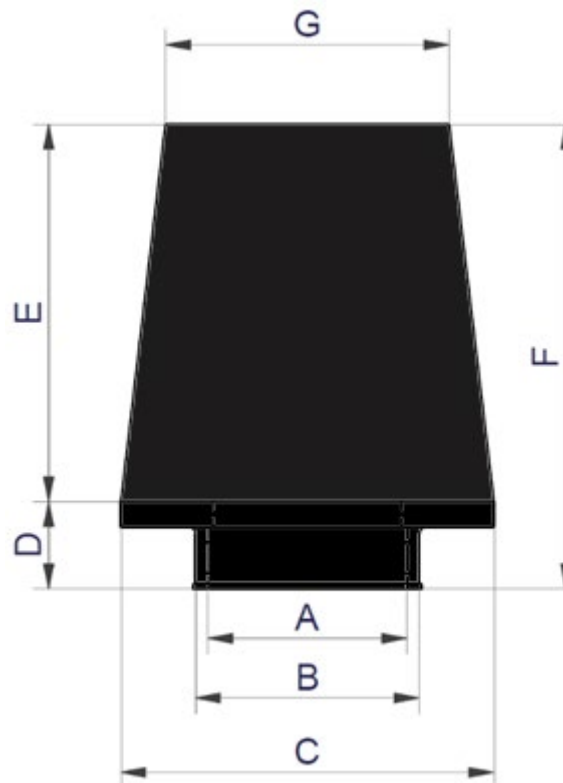
Part Number	A Neck ID	B Neck OD	C Spinning Diameter	D Spinning Height	E Foam Height	F Total Height	G Top Diameter
JC60/58C	58	61	149	30	121	151	114
JC60/60C	60	63	149	52	121	173	114
JC60/63C	63	66	149	52	121	173	114
JC60/67C	67	70	149	54	121	175	114
JC60/70C	70	73	149	54	121	175	114
JC60/73C	73	76	149	50	121	171	114
JC60/78C	78	81	149	44	121	165	114
JC60/84C	84	87	149	46	121	167	114

Website Link: <https://www.itgairfilters.com/product/jc60c-small-cone-jc60c/>



JC60RN/XX

Rubber Necked filters are a new addition to our product line-up for 2020. These JC60 conical filters are built onto two sizes of PU base. Smaller inlets use the smaller 150mm OD base, whereas the larger inlets utilise the 180mm OD base. These filters are designed to clamp directly onto hard intake pipework – eliminating the need for a silicone joiner section.



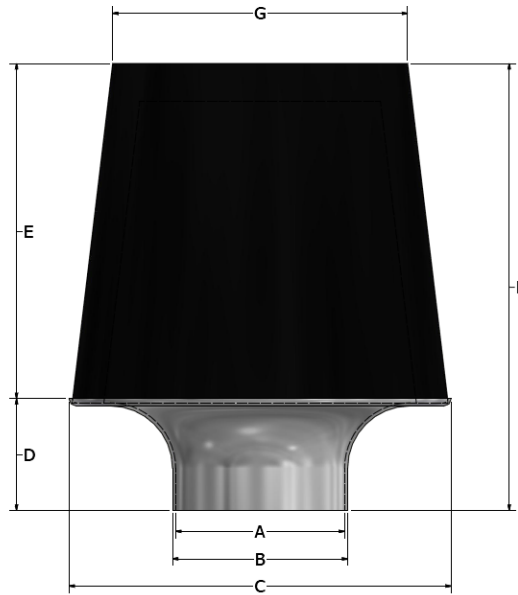
Part Number	A	B	C	D	E	F	G
	Neck ID	Neck OD	Spinning Diameter	Spinning Height	Foam Height	Total Height	Top Diameter
JC60RN/70	70	80	150	35	152	187	114
JC60RN/76	76	86	150	35	152	187	114
JC60RN/80	80	90	150	35	152	187	114
JC60RN/89	89	99	180	35	163	198	149
JC60RN/102	102	112	180	35	163	198	149
JC60RN/114	114	124	180	35	163	198	149
JC60RN/127	127	137	180	35	163	198	149

Website Link: <https://www.itgairfilters.com/product/jc60-rubber-neck-jc60rn/>



JC60/XXFC (Full Cone)

These JC60 filters are built onto our smaller 149mm diameter aluminium spinning. These filters use our small plastic filter support cage in 'full' and have a total foam height of 152mm.



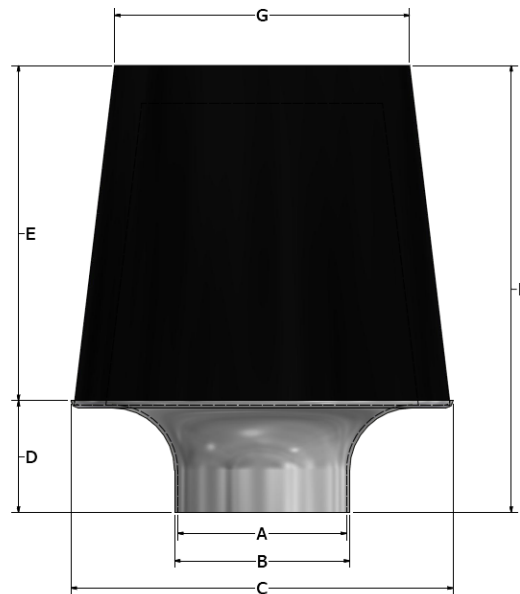
Part Number	A Neck ID	B Neck OD	C Spinning Diameter	D Spinning Height	E Foam Height	F Total Height	G Top Diameter
JC60/58FC	58	61	149	33	152	185	114
JC60/60FC	60	63	149	52	152	204	114
JC60/63FC	63	66	149	52	152	204	114
JC60/67FC	67	70	149	54	152	206	114
JC60/70FC	70	73	149	54	152	206	114
JC60/73FC	73	76	149	50	152	202	114
JC60/78FC	78	81	149	44	152	196	114
JC60/84FC	84	87	149	46	152	198	114

Website Link: <https://www.itgairfilters.com/product/jc60fc-full-cone-jc60fc/>



JC60/XXC (Large Cone)

These JC60 filters are built onto our larger 180mm diameter aluminium spinning. These filters use our large plastic filter support cage in and have a total foam height of 163mm.



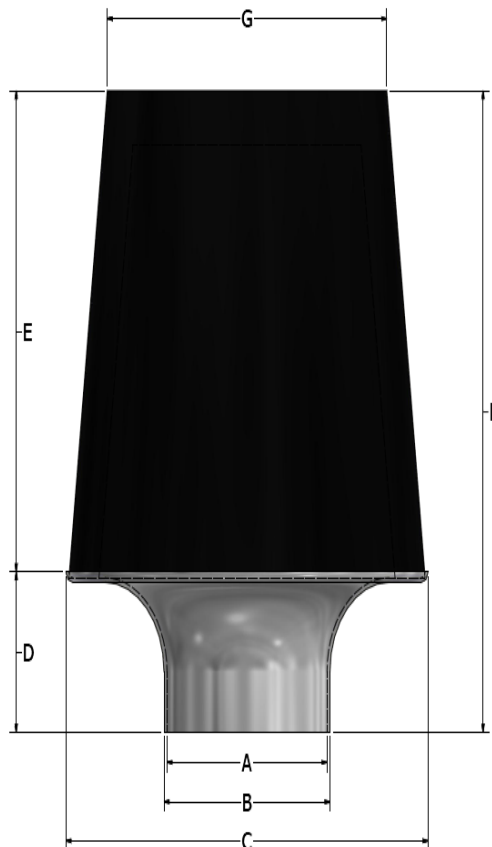
Part Number	A Neck ID	B Neck OD	C Spinning Diameter	D Spinning Height	E Foam Height	F Total Height	G Top Diameter
JC60/80C	80	83	180	55	163	218	149
JC60/86C	86	89	180	53	163	216	149
JC60/93C	93	96	180	50	163	213	149
JC60/99C	99	102	180	50	163	213	149
JC60/114C	114	117	180	45	163	208	149
JC60/124C	124	127	180	40	163	203	149

Website Link: <https://www.itgairfilters.com/product/jc60c-large-cone-jc60cl/>



JC60/XXMM (MEGA MAXOGEN)

The Mega Maxogen filters are a new addition to the ITG product range. These JC60 filters are built onto our larger 180mm diameter aluminium spinning and also use a reinforced internal plastic cage. These are designed for high power applications where the space is available.



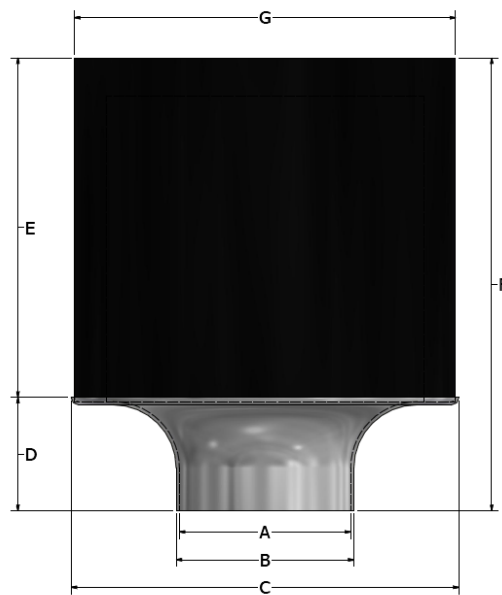
Part Number	A	B	C	D	E	F	G
	Neck ID	Neck OD	Spinning Diameter	Spinning Height	Foam Height	Total Height	Top Diameter
JC60/80MM	80	83	180	55	290	345	114
JC60/86MM	86	89	180	53	290	343	114
JC60/93MM	93	96	180	50	290	340	114
JC60/99MM	99	102	180	50	290	340	114
JC60/114MM	114	117	180	45	290	335	114
JC60/124MM	124	127	180	40	290	330	114

Website Link: <https://www.itgairfilters.com/product/jc60-mega-maxogen-jc60mm/>



JC60/XX (Straight Sided-Cylinder)-Special Order Only

These JC60 filters are reinforced with open pore internals. This allows the filters to be squashed down and manipulated to allow them to be fitted in spaces where there is restricted access. As they do not have a reinforced plastic cage these are not recommended for high power or turbo applications.



Part Number	A Neck ID	B Neck OD	C Spinning Diameter	D Spinning Height	E Foam Height	F Total Height	G Top Diameter
SMALL ALUMINIUM SPINNING							
JC60/58	58	61	149	33	123	156	149
JC60/60	60	63	149	52	123	175	149
JC60/63	63	66	149	52	123	175	149
JC60/67	67	70	149	54	143	197	149
JC60/70	70	73	149	54	143	197	149
JC60/73	73	76	149	50	143	193	149
JC60/78	78	81	149	44	143	187	149
JC60/84	84	87	149	46	168	214	180



LARGE ALUMINIUM SPINNING

JC60/80	80	83	180	55	168	223	180
JC60/86	86	89	180	53	168	222	180
JC60/93	93	96	180	50	168	118	180
JC60/99	99	102	180	50	168	118	180
JC60/114	114	117	180	45	168	113	180
JC60/124	124	127	180	40	168	108	180
JC60/149	149	152	203	44	168	112	203