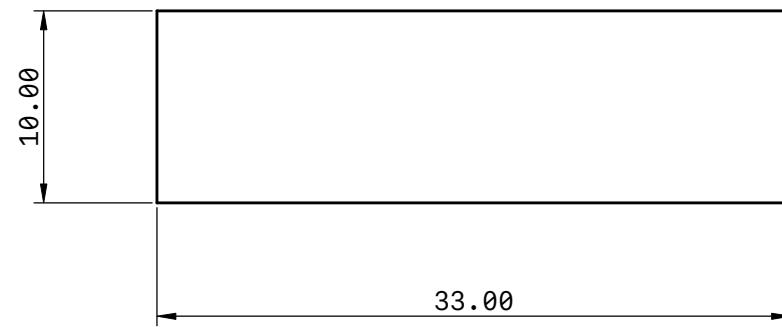
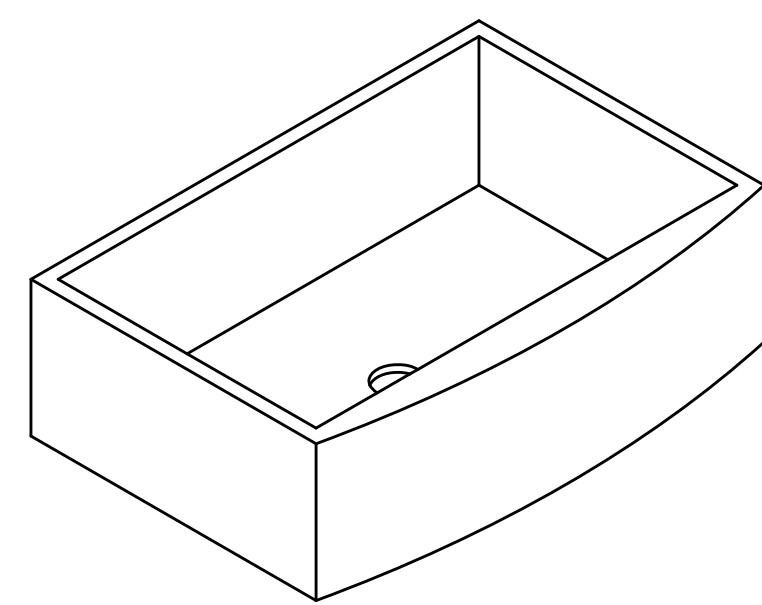
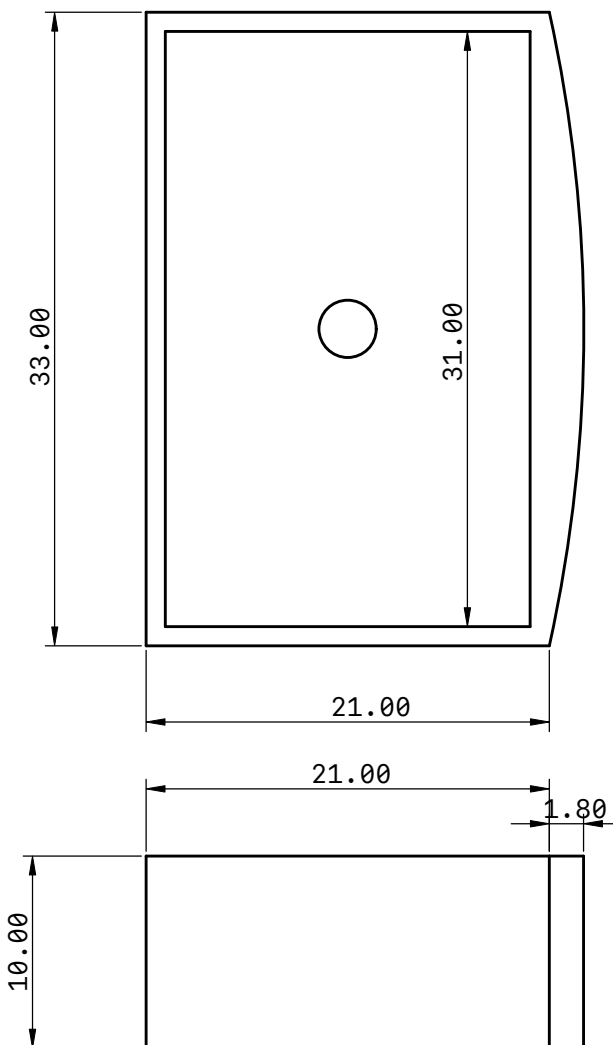
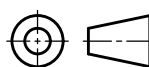


6 5 4 3 2 1

D
C
B
A



D
C
B
A

TITLE		
Body 84		
LAST UPDATED	UNITS	SHEET
08/16/22	in	1 / 1
THIRD ANGLE PROJECTION	SCALE	SIZE
	1:10	A

6 5 4 3 2 1