

6

5

4

3

2

1

D

D

C

C

B

B

A

A

6

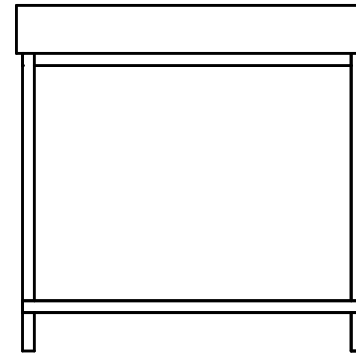
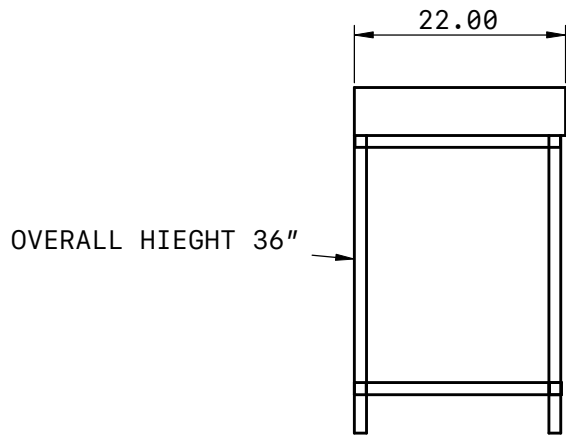
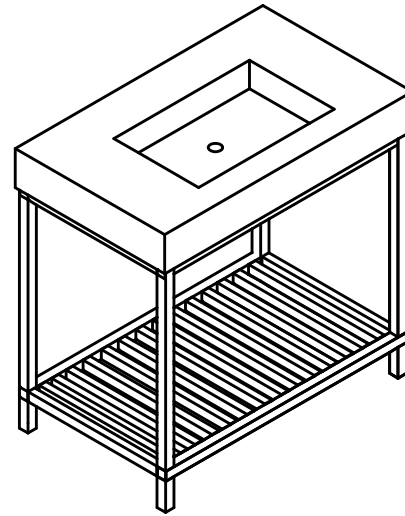
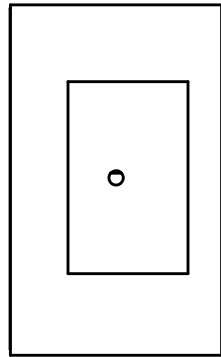
5

4

3

2

1

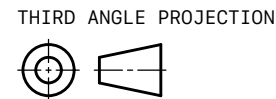


TITLE
36" SQUARE FREESTANDING...

LAST UPDATED
10/25/22

UNITS
in

SHEET
1 / 1



SCALE
1:20

SIZE
A