

6

5

4

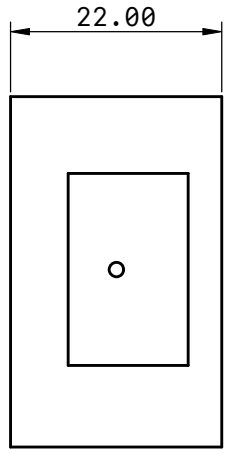
3

2

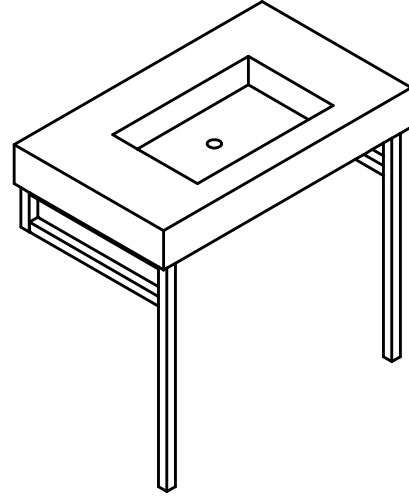
1

D

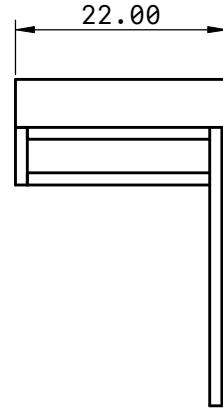
D



SCALE 1:20



SCALE 1:20

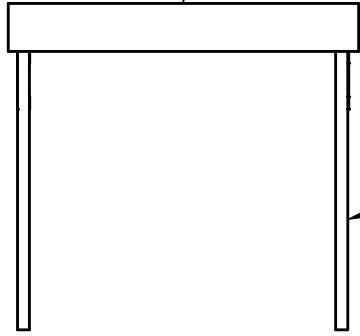


SCALE 1:20

C

C

36.00 width



SCALE 1:20

Overall Height 36.00

B

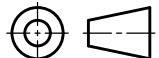
B

TITLE
Drawing

LAST UPDATED
10/26/22

UNITS
in

SHEET
1 / 1

THIRD ANGLE PROJECTION


SCALE
1:10

SIZE
A

A

A

6

5

4

3

2

1