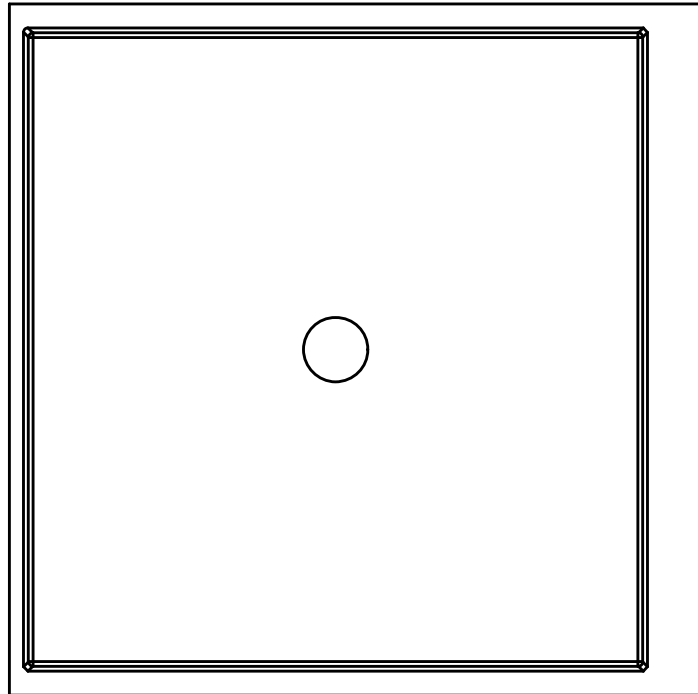


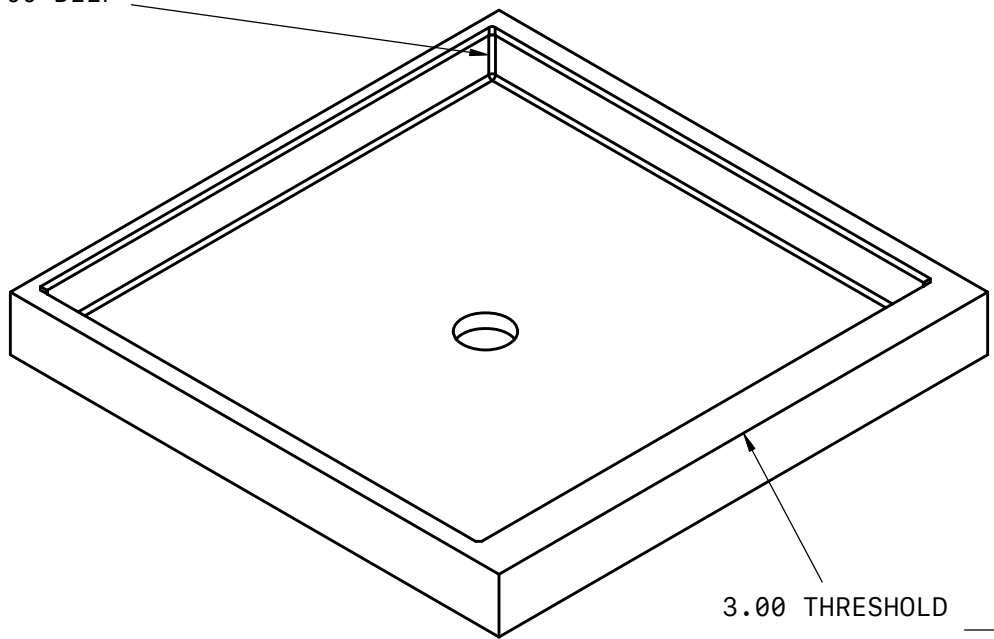
6 5 4 3 2 1

36.00

3.00 DEEP

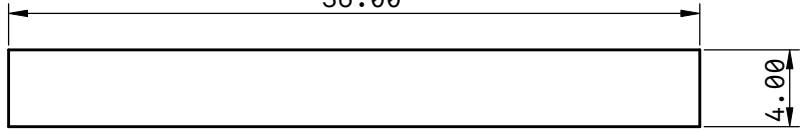


36.00

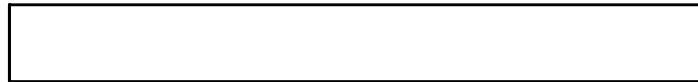


SCALE 1:10

36.00

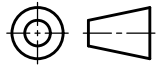


SCALE 1:10



SCALE 1:10

36.00

TITLE		
Body 100		
LAST UPDATED	UNITS	SHEET
08/19/22	in	1 / 1
THIRD ANGLE PROJECTION	SCALE	SIZE
	1:20	A

6 5 4 3 2 1