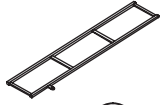


## 106347 CABINET DELANO WITH STAIRS

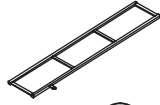
### PARTS

2x



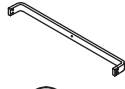
(A)

2x



(B)

6x



(C)

4x



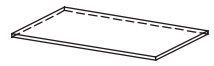
(D)

24x



(E)

1x



(F)

1x



(G)

1x



(H)

4x



(I)

1x



(J)

72x



(K)

6x



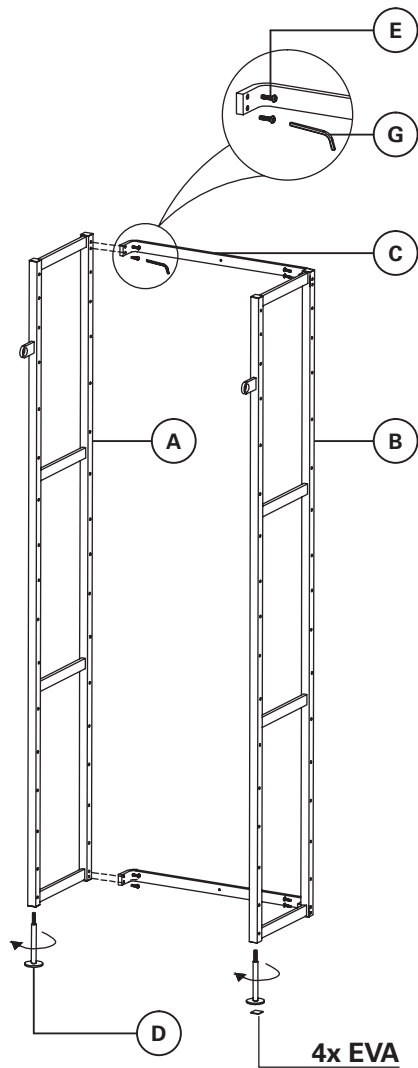
(L)

6x

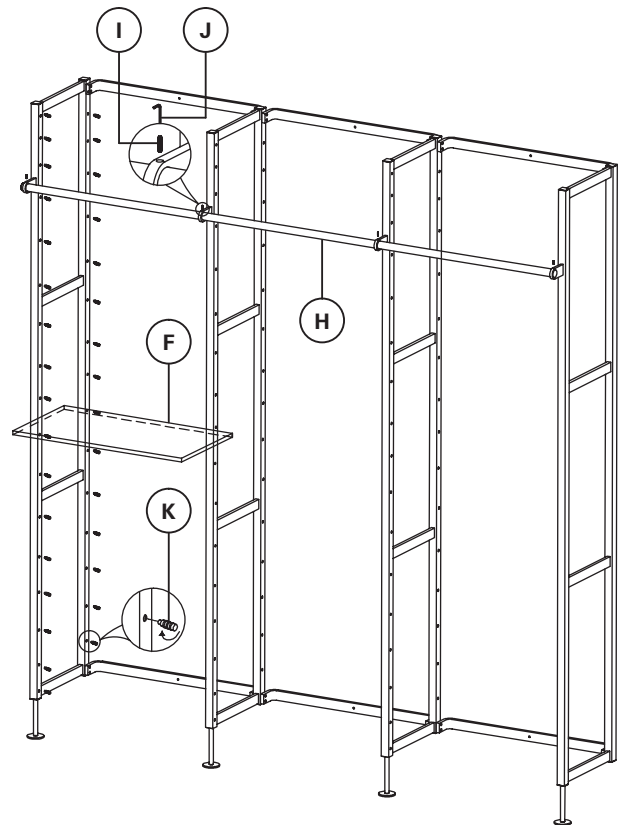


(M)

1



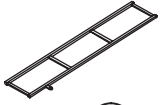
2



## 106347 CABINET DELANO WITH STAIRS

### PARTS

2x



(A)

2x



(B)

6x



(C)

4x



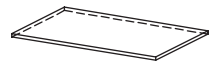
(D)

24x



(E)

1x



(F)

1x



(G)

1x



(H)

4x



(I)

1x



(J)

72x



(K)

6x



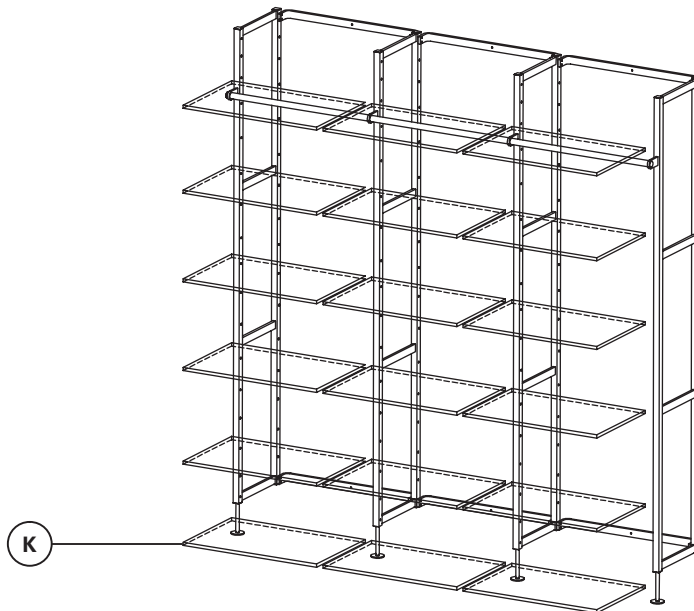
(L)

6x



(M)

3



4

