

Thank you for buying 'Pick me up - side table'

## Assembly instructions.

Please read the instructions and warnings carefully before use to ensure safe and satisfactory operation of this product.

### Fixings:

(A) - Screws x8

(B) - Allen key screws x3



### Tools required:

Crosshead screwdriver  
Allen key (supplied)

### Parts: (as marked)



Handle stem x1



Table tray x1



Leg fixing plate x1



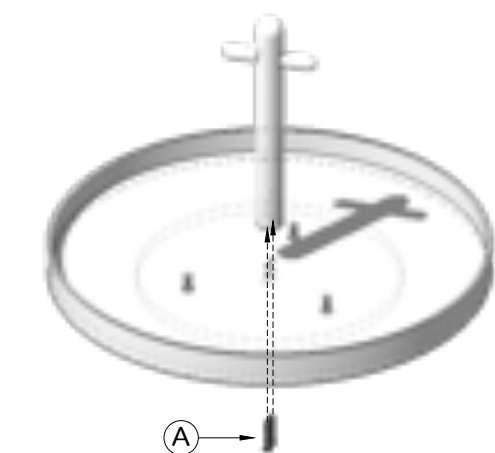
Legs x3

### helpful hint:

use foam packaging during assembly to prevent damage to surface finishes.



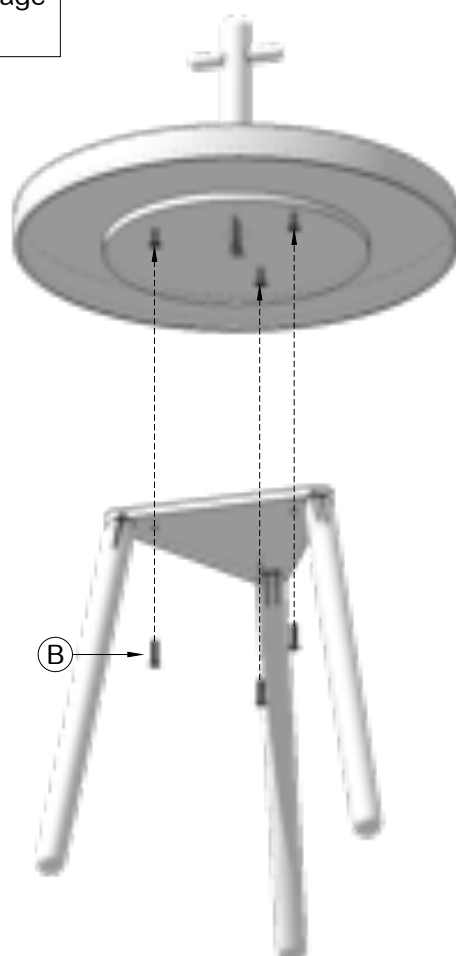
Assembled view.



Step 1.



Step 2.



Step 3.

### Warnings:

Assemble in accordance with manufacturers instructions. Check stability of assembled table before use. Beware - some liquids may stain the wood surfaces. Maximum load 6kg.

### Cleaning:

Wipe using a damp cloth with mild soap solution; do not use abrasive cleaners as these may damage the surface finish.

Supplied by Wireworks; 4 Gibbs Hill, Headcorn, Ashford, Kent TN27 9UD.  
www.wireworks.co.uk

**wireworks**  
london