

Item type

Chandelier

Item name

Scottsdale

Item number(s)

115340 (115340A + 115340B)

Attention!

Turn off the electricity supply at the main circuit panel before installing. Do not connect the electricity supply until your luminaire is fully assembled and installed.

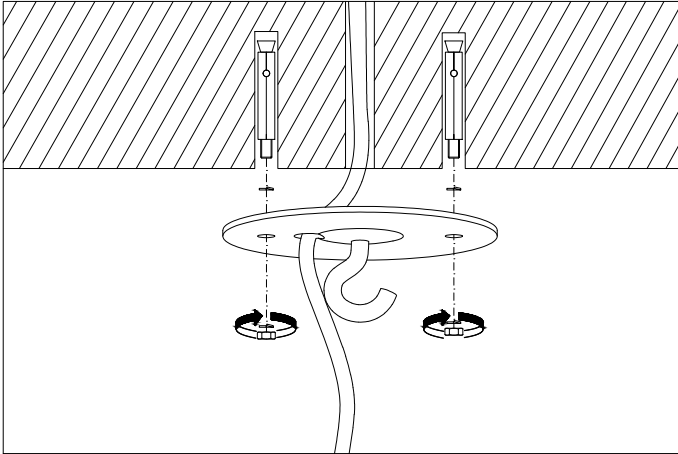
Care instructions:

Wipe with a soft dry cloth, do not use chemicals or abrasive cleaning materials.

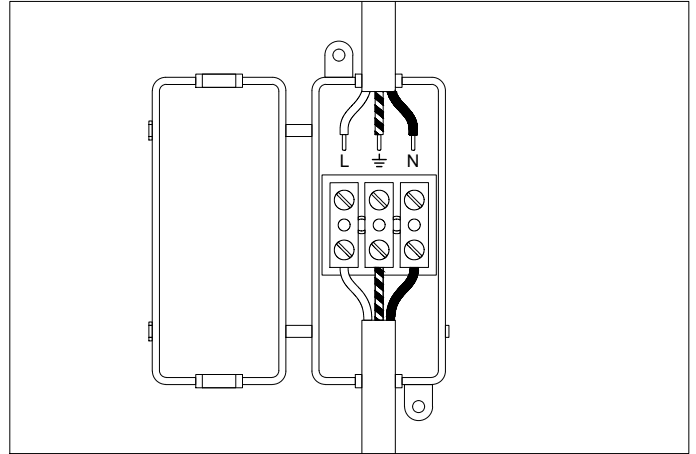
Eichholtz B.V.

Delfweg 52
2211 VN Noordwijkerhout
The Netherlands

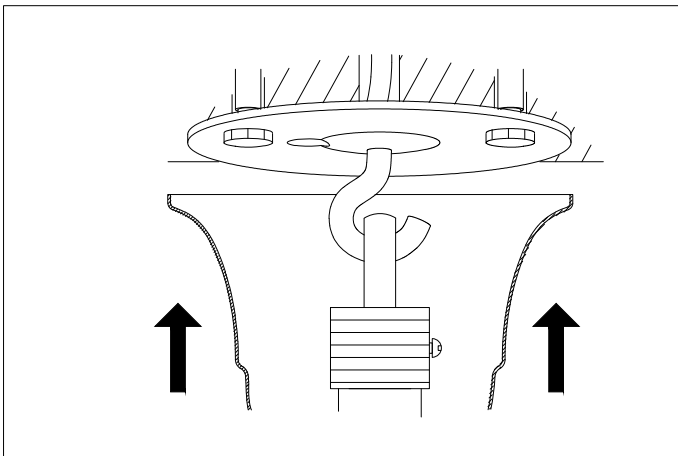
🏠 www.eichholtz.com
✉ service@eichholtz.com
☎ +31 (0)252 515 850



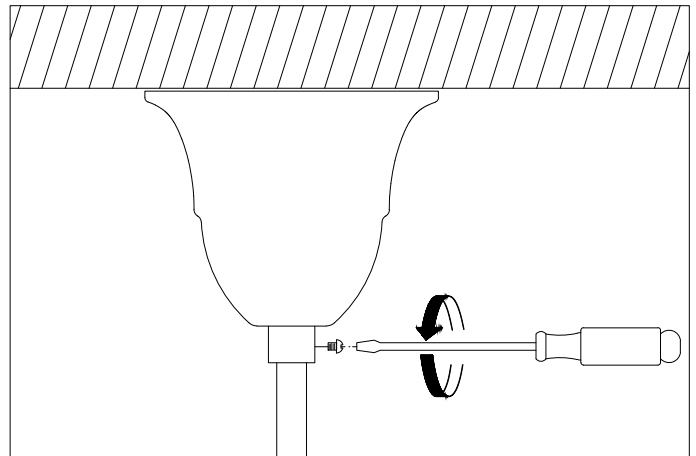
1. Lead the wires from your ceiling through the hole of the ceiling plate. Fix the ceiling plate to the ceiling by using mounting plugs and screws suitable to your ceiling type.



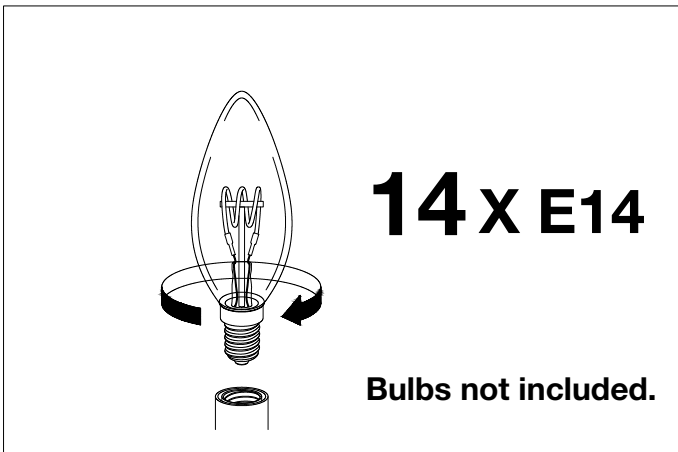
2. Connect the 3 wires according to their colours. Brown is the live wire (L), blue is the neutral wire (N), green/yellow is the earth wire (⊕).



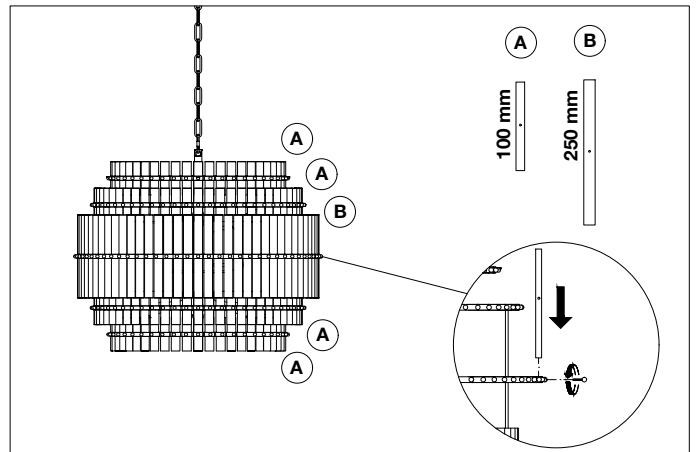
3. Slide the canopy up.



4. Fix the canopy with the retaining nut.



5. Place the bulbs.



6. Place the glass according to the schedule from the bottom up: A, A, B, A, A.