

**Item type**

Desk

**Item name**

Virage

**Attention!**

Place the item on a padded area to prevent damage to the item.

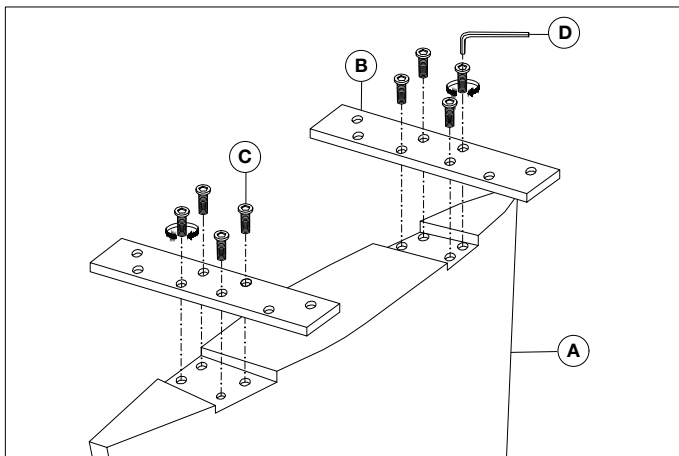
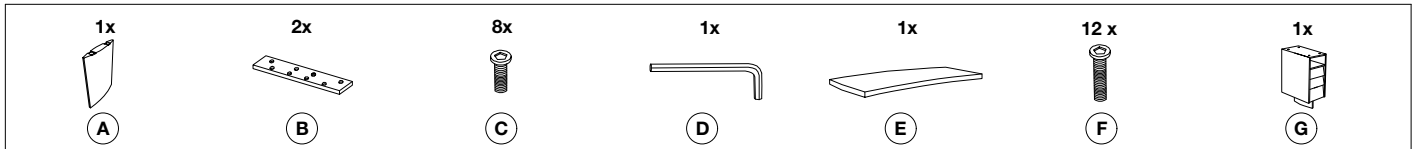
**Care instructions:**

Dust regularly and clean with a soft dry cloth. Remove spills immediately as moisture can cause the veneer to peel off the surface.

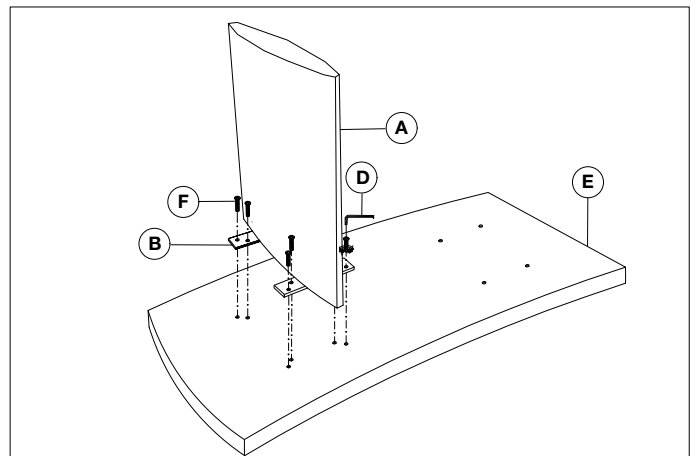
**Eichholtz B.V.**

Delfweg 52  
2211 VN Noordwijkerhout  
The Netherlands

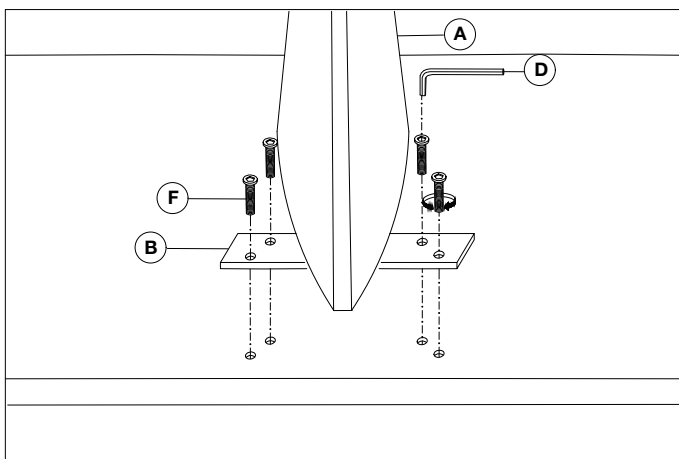
🏠 [www.eichholtz.com](http://www.eichholtz.com)  
✉ [service@eichholtz.com](mailto:service@eichholtz.com)  
☎ +31 (0)252 515 850



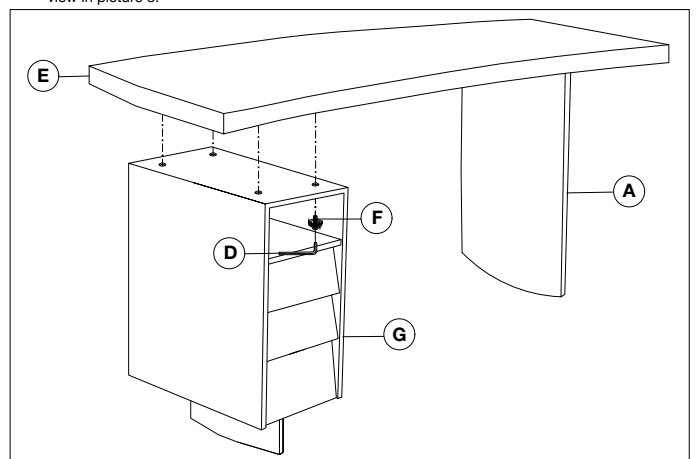
1. Assemble the mounting plate to the base using the short screws (C) and the allen key.



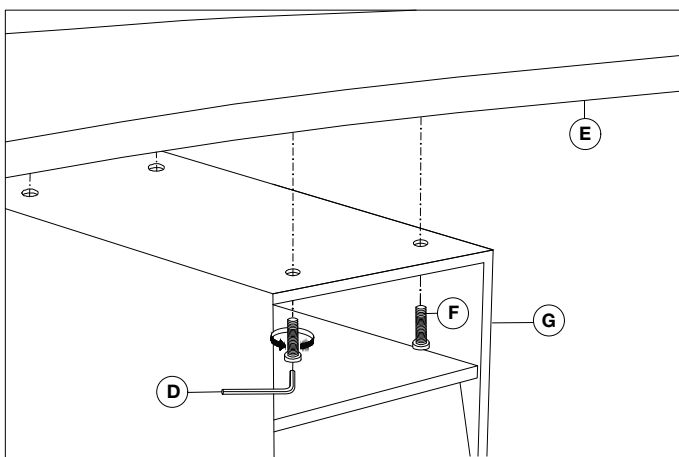
2. Place the table top on a padded area to prevent damage. Assemble the base to the table top using the long screws (F) and the allen key. See detailed view in picture 3.



3.



4. Place the drawer block in the correct position and align the top with the holes.



5. Assemble the drawer block to the top using the long screws (F) and the allen key.