

**Item type**  
Chandelier

**Item name**  
Montparnasse

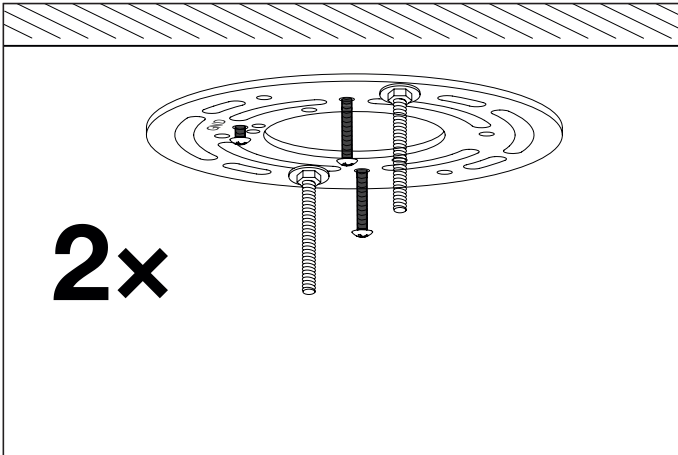
**Item no**  
113186UL

**Attention!** Do not connect your luminaire to electricity until it is fully assembled.

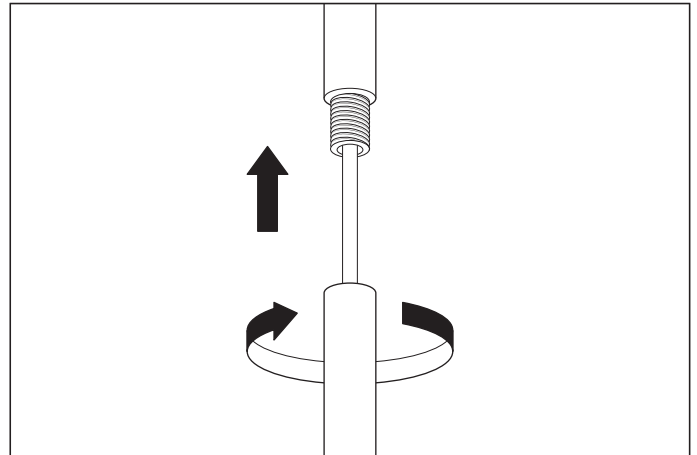
**Care instructions:**  
Wipe with a soft dry cloth, do not use chemicals or abrasive cleaning materials.

**Eichholtz B.V.**  
Delfweg 52  
2211 VN Noordwijkerhout  
The Netherlands

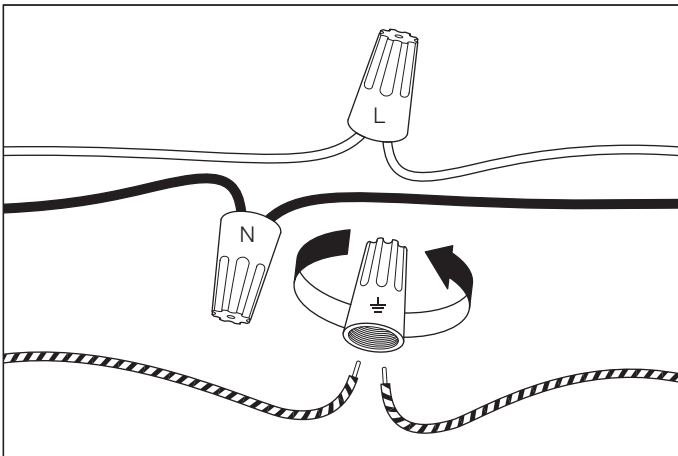
🏠 [www.eichholtz.com](http://www.eichholtz.com)  
✉ [service@eichholtz.com](mailto:service@eichholtz.com)  
☎ +31 (0)252 515 850



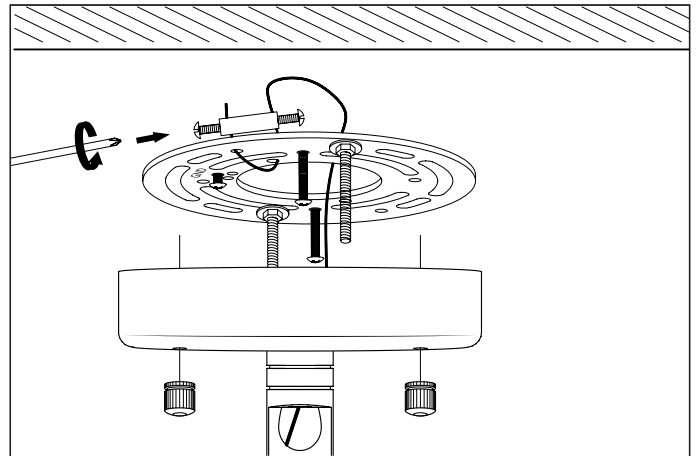
1. Fix the crossbar to the ceiling by using mounting plugs and screws suitable to your ceiling type.



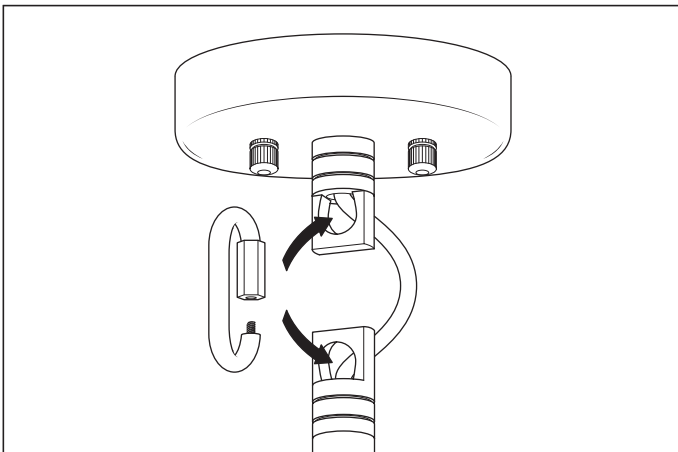
2. Determine the desired height of the lamp and connect either one, two or three of the pipes supplied. Thread the wire through the pipes.



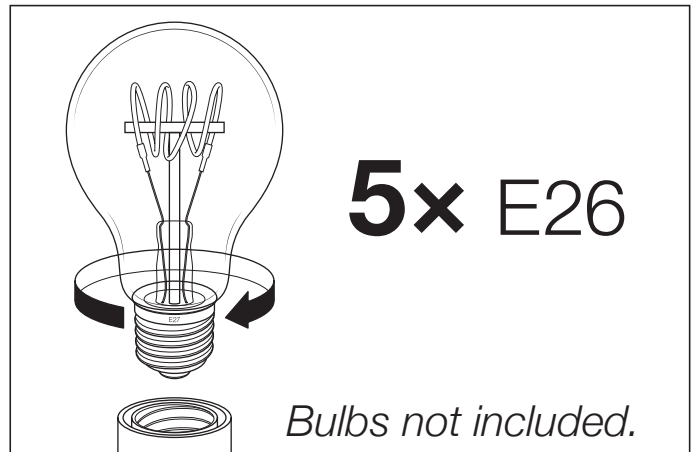
3. Connect the 3 wires. L is the live wire, N is the neutral wire. The course wire is the grounding wire.



4. Lock the steel wire tightly to the ceiling plate. Place the ceiling canopy over the ceiling plate and fix it with the nuts.



5. Link the lamp to the canopy using the chain link. Securely close the chain link once the lamp is linked to the canopy.



6. Carefully place the bulbs in the fittings. Do NOT turn the bulbs further than necessary, to prevent damage to the fitting.