

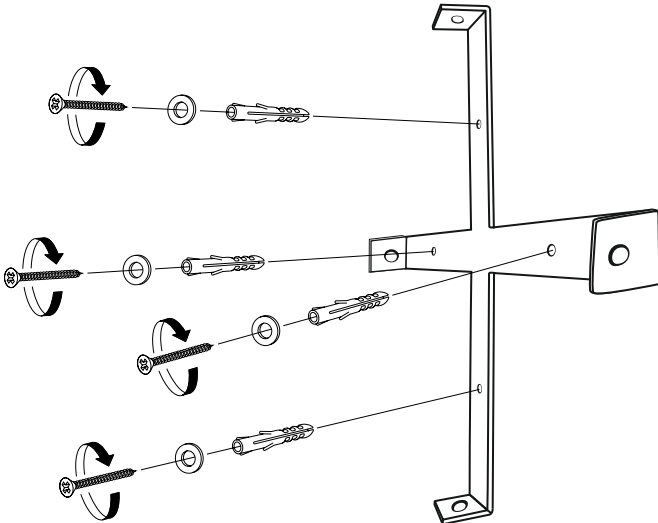


E I C H H O L T Z

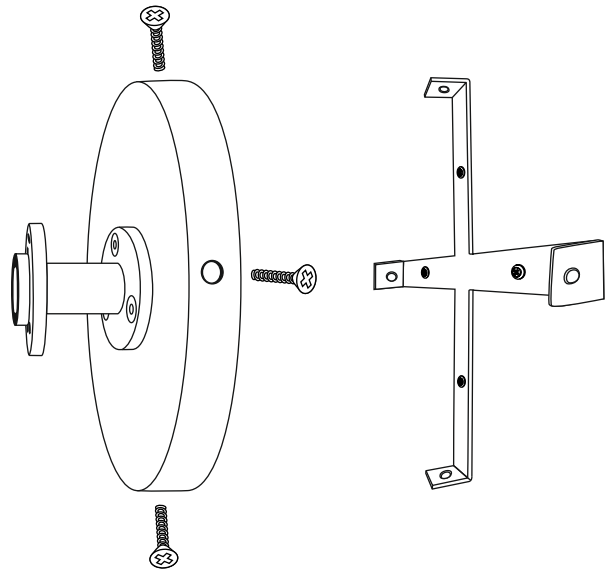
112871 HANGING SYSTEM FOR WALL OBJECT LAGUNA

ASSEMBLY INSTRUCTION

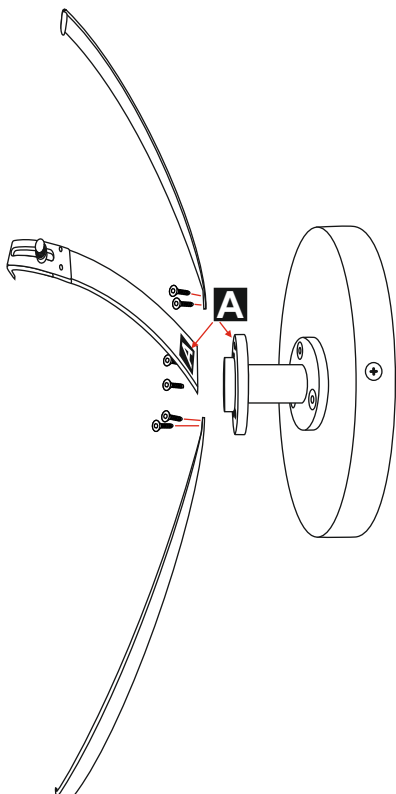
1. Fix the crossbar to the wall by using wall mounting plugs and screws suitable to your wall type.



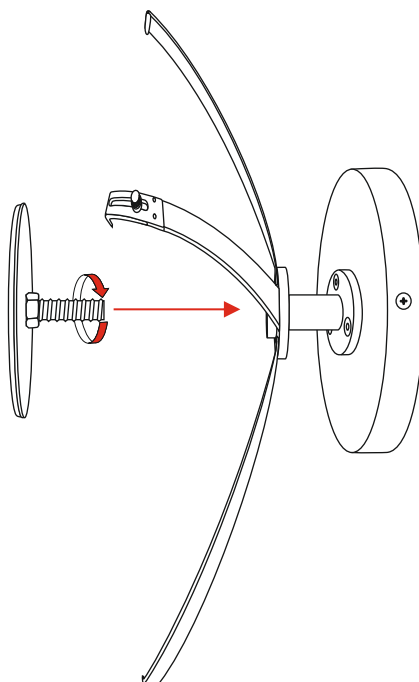
2.



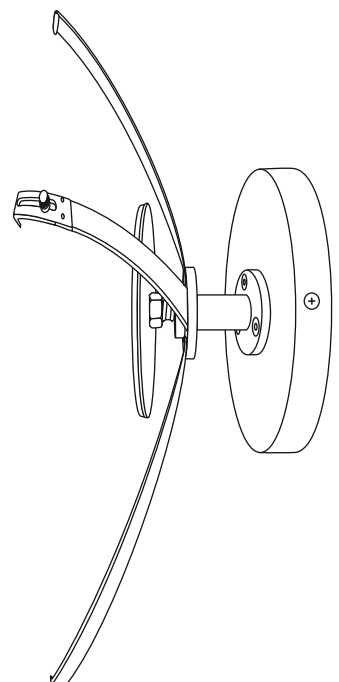
3. The arm with adjustable holder should be in the top position. The arm with A marking should be matched with A marking on the wall system and tightened securely.



4.



5.



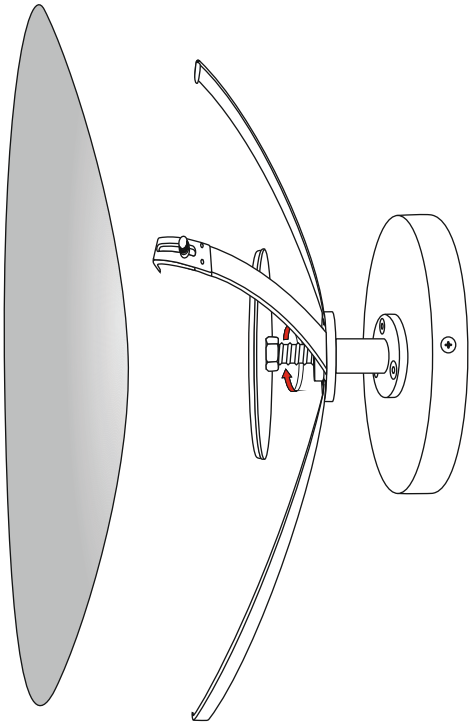


E I C H H O L T Z

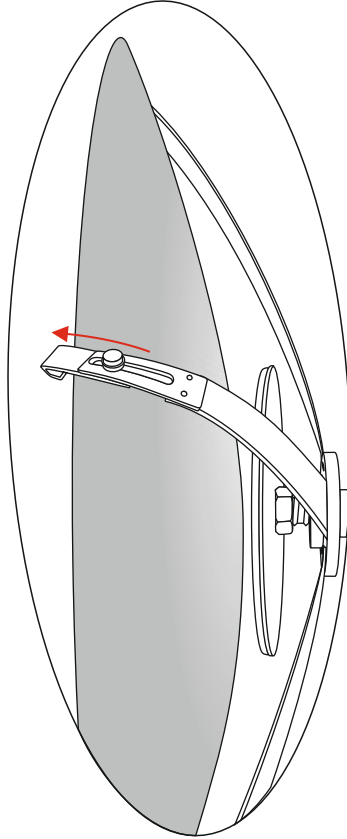
112871 HANGING SYSTEM FOR WALL OBJECT

ASSEMBLY INSTRUCTION

6.



7.



FINAL

