

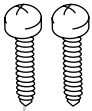


E I C H H O L T Z

112876 WALL LAMP HILDEBRANDT

ASSEMBLY INSTRUCTION

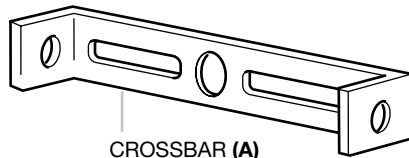
**PARTS**



SCREWS



ALLEN SCREWS

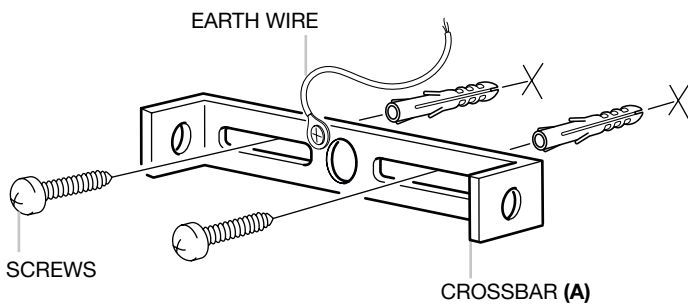


CROSSBAR (A)

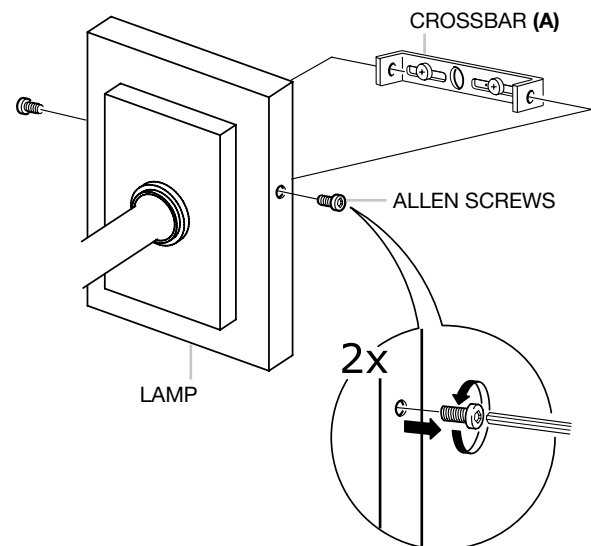


ALLEN KEY

**1**



**2**



Turn off the electricity supply at the main circuit panel before installing.  
Do not connect the electricity supply until your luminaire is fully assembled and installed.

Fix the crossbar to the wall by using wall mounting plugs and screws suitable to your wall type.

Connect the 3 wires according to their colours. Brown is the live wire, blue is the neutral wire, green/yellow is the earth wire.

Place the lamp over the cross bar and fix it securely with the screws supplied.

**CARE INSTRUCTION**

Wipe clean with soft, dry cloth.

Always avoid the use of harsh chemicals or abrasive cleaners as they may cause damage to the fixture's finish.