

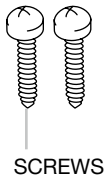


E I C H H O L T Z

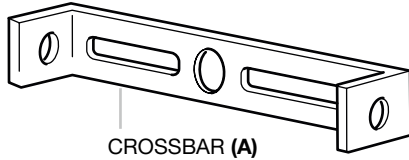
112744 WALL LAMP KON TIKI VINTAGE BRASS

ASSEMBLY INSTRUCTION

PARTS



SCREWS



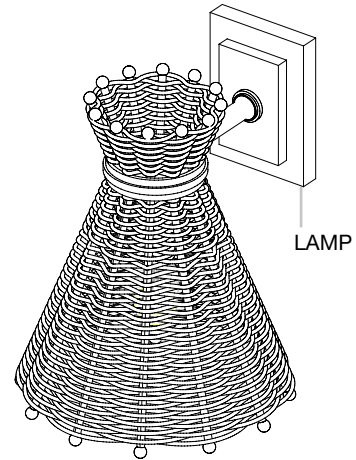
CROSSBAR (A)



ALLEN SCREWS

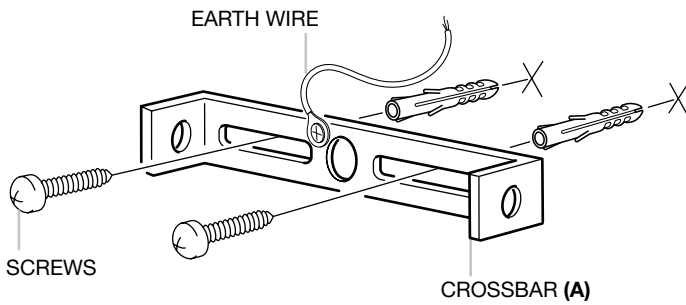


ALLEN KEY



LAMP

1

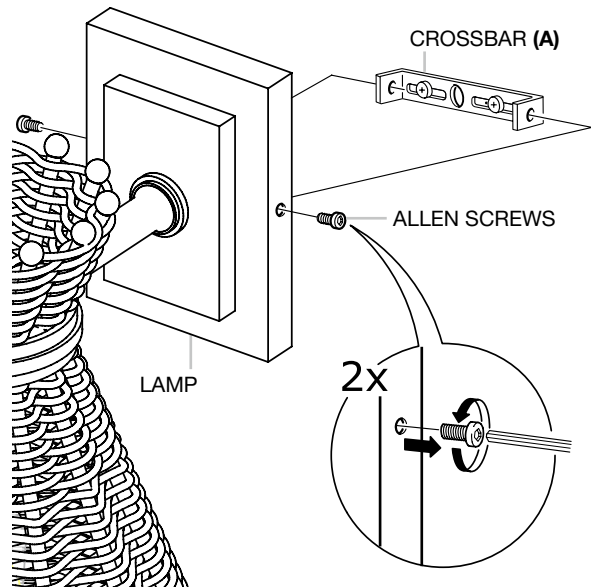


EARTH WIRE

SCREWS

CROSSBAR (A)

2



CROSSBAR (A)

ALLEN SCREWS

LAMP

2x

Turn off the electricity supply at the main circuit panel before installing. Do not connect the electricity supply until your luminaire is fully assembled and installed.

Fix the crossbar to the wall by using wall mounting plugs and screws suitable to your wall type.

Connect the 3 wires according to their colours. Brown is the live wire, blue is the neutral wire, green/yellow is the earth wire.

Place the lamp over the cross bar and fix it securely with the screws supplied.

CARE INSTRUCTION

Wipe clean with soft, dry cloth.

Always avoid the use of harsh chemicals or abrasive cleaners as they may cause damage to the fixture's finish.

FINAL

