

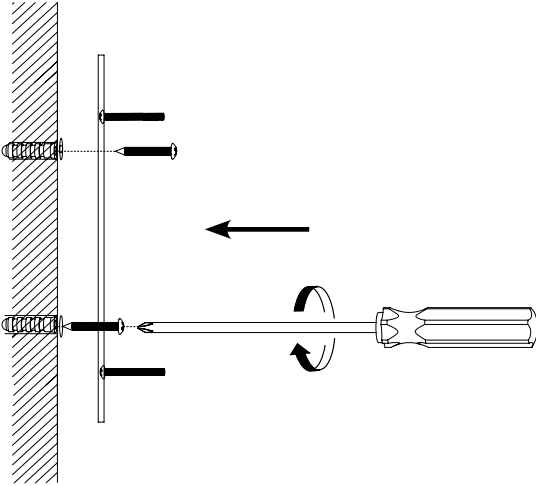


E I C H H O L T Z

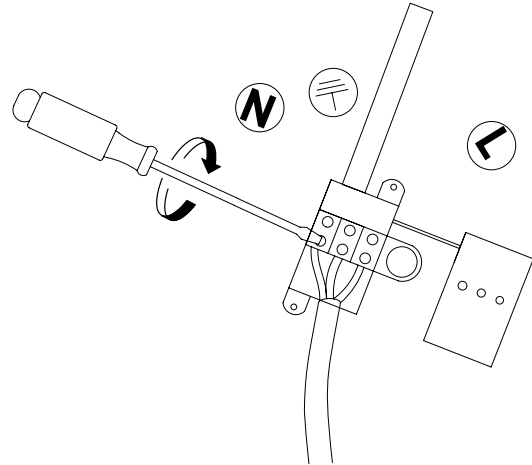
112636 WALL LAMP SORENTO

ASSEMBLY INSTRUCTION

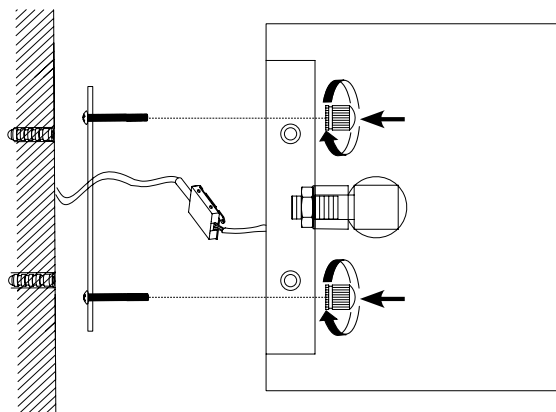
- 1** Fix the wall plate to the wall by using wall mounting plugs and screws suitable to your wall type.



- 2** Connect the 3 wires according to their colours. Brown is the live wire, blue is the neutral wire, green/yellow is the earth wire.



- 3** Place the lamp over the wall plate and fix it securely with the screws supplied.



**FINAL**

- 4** Place the bulbs to the lampholder.

