

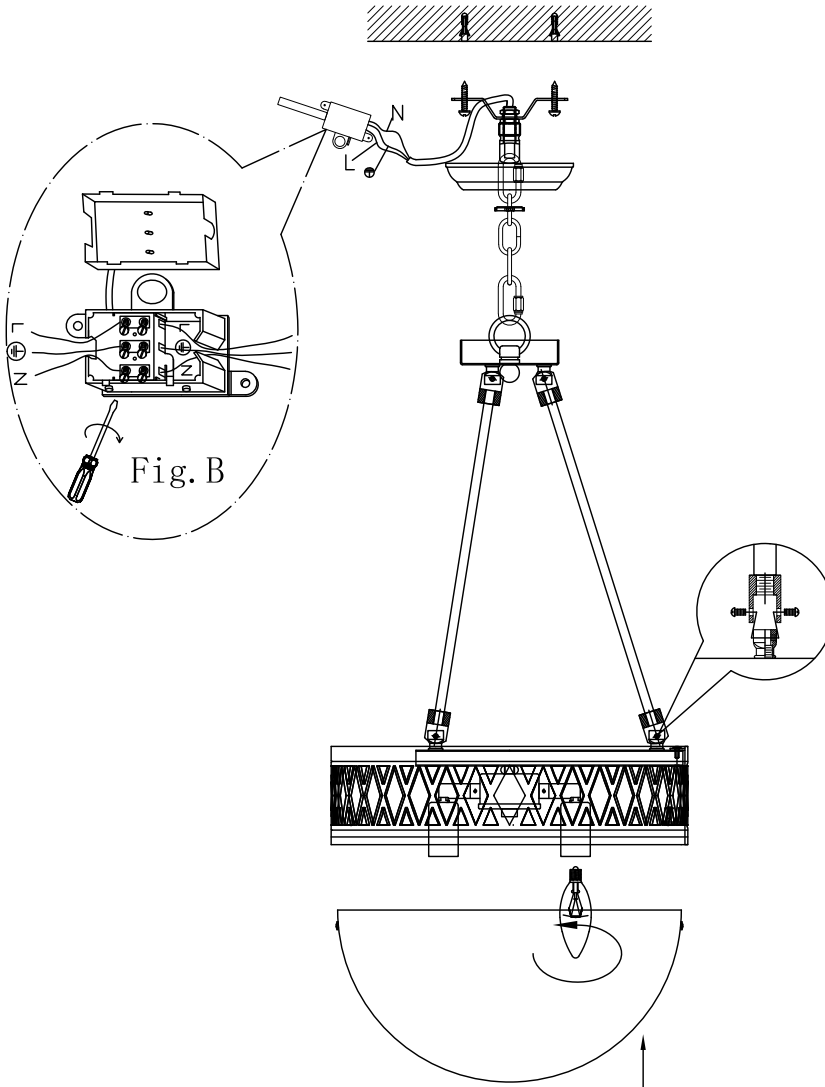


E I C H H O L T Z

112261 CHANDELIER BISTROQUETTE

ASSEMBLY INSTRUCTION

1



Turn off the electricity supply at the main circuit panel before installing. Do not connect the electricity supply until your luminaire is fully assembled and installed.

Fix the ceiling bracket to the ceiling by using mounting plugs and screws suitable to your ceiling type.

Fix the lamp body with the 3 rods and tighten the screws securely.

Place or hold the lamp in an elevated position in such a way that the wires can freely reach the ceiling junction box. Connect the 3 power wires according to their colours. Brown is the live wire, blue is the neutral wire, green/yellow is the earth wire.

Screw the suspension eye (with retaining nut attached) to the ceiling bracket and fix it securely by tightening the retaining nut.

Place the bulbs and place the glass and secure it with the screws.

Check whether the connection is sufficiently strong by manually loading the chain. Carefully lower the lamp until the chain is taut. Straighten the chain links.