

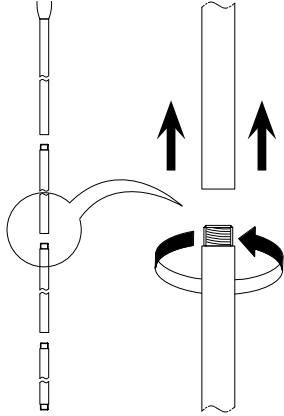


E I C H H O L T Z

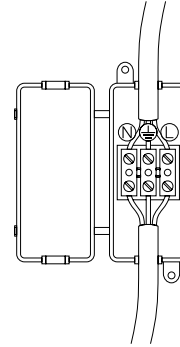
111974 CHANDELIER SALVIA

ASSEMBLY INSTRUCTION

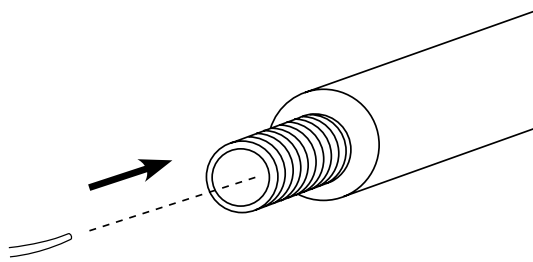
- 1** Determine the desired height of your chandelier and connect the extension pipes.



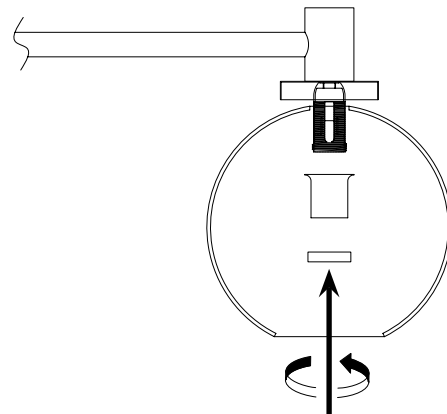
- 4** Connect the 3 power wires according to their colours. Brown is the live wire, blue is the neutral wire, green/yellow is the earth wire. Place the ceiling canopy (B) flush against the ceiling and fix it securely with the two nuts supplied.



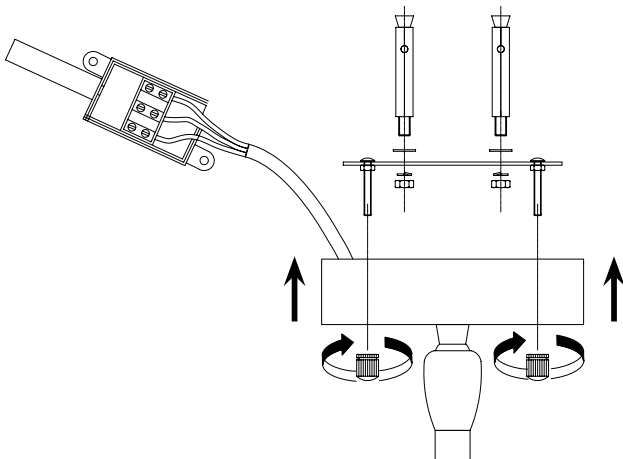
- 2** Thread the wire from the lamp through the pipe.



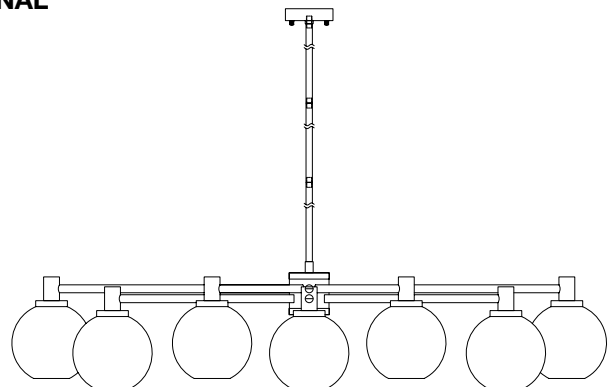
- 5** Slide the glass over the lampholder. While holding the glass in place slide the metal sleeve over the lampholder and secure it with the ring.



- 3** Fix the ceiling plate (A) to the ceiling by using mounting plugs and screws suitable to your ceiling type. Guide the wires through the plate. Place or hold the lamp in an elevated position in such a way that the wires can freely reach the ceiling junction box.



## FINAL



Turn-off the electricity supply at main circuit panel before installing. Do not connect electricity supply until your ceiling light is fully assembled and installed.

## CARE INSTRUCTION

Wipe clean with soft, dry cloth.  
Always avoid the use of harsh chemicals or abrasive cleaners as they may cause damage to the fixture's finish.