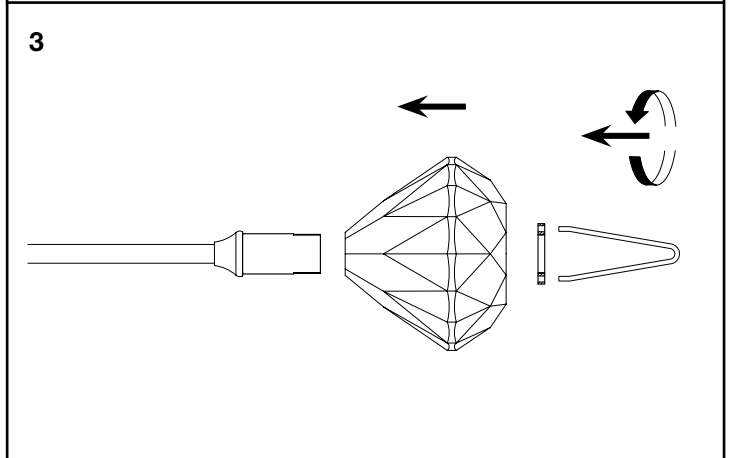
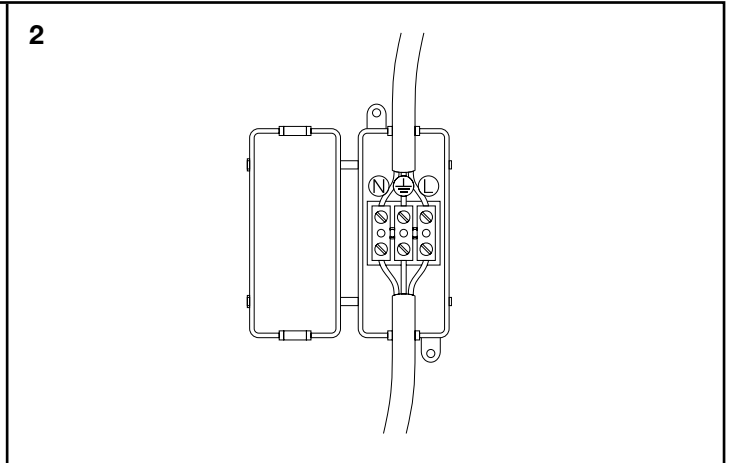
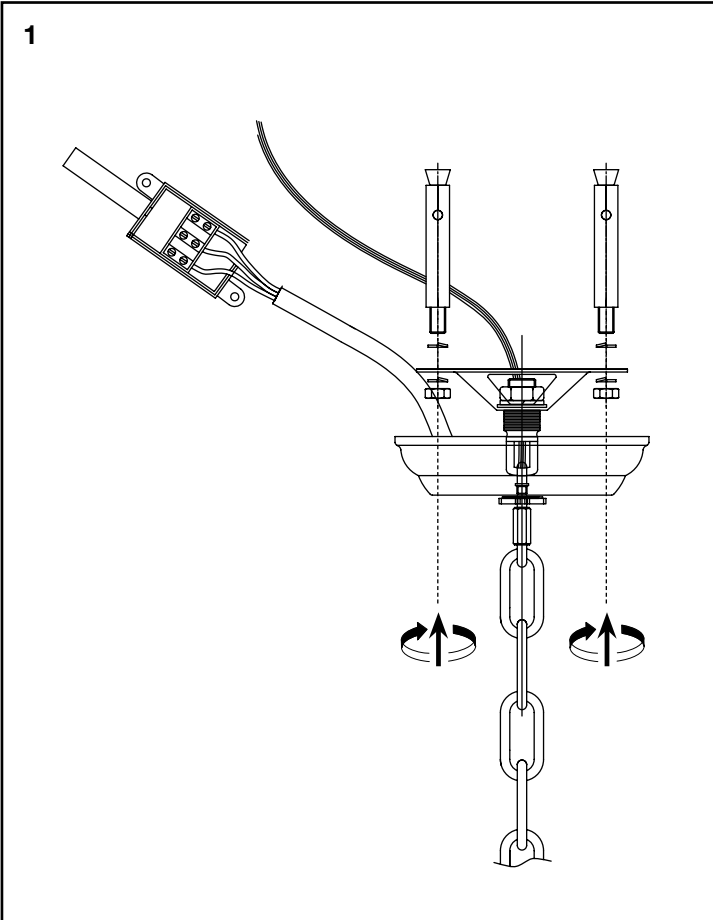




E I C H H O L T Z

111885 CHANDELIER FANGO

ASSEMBLY INSTRUCTION



Turn-off the electricity supply at main circuit panel before installing.
Do not connect electricity supply until your ceiling light is fully assembled and installed.

Fix the ceiling plate (A) to the ceiling by using mounting plugs and screws suitable to your ceiling type. Guide the wires through the plate. Place or hold the lamp in an elevated position in such a way that the wires can freely reach the ceiling junction box.

Connect the 3 power wires according to their colours. Brown is the live wire, blue is the neutral wire, green/yellow is the earth wire.
Place the ceiling canopy (B) flush against the ceiling and fix it securely with the two nuts supplied.

Balance the luminaire and slide a crystal shade over a lampholder.
Use the 'V' shape wrench (included) to tighten the ring on the lamp holder.
Repeat for each shade. Place the bulbs.

CARE INSTRUCTION

Wipe clean with soft, dry cloth.
Always avoid the use of harsh chemicals or abrasive cleaners as they may cause damage to the fixture's finish.

