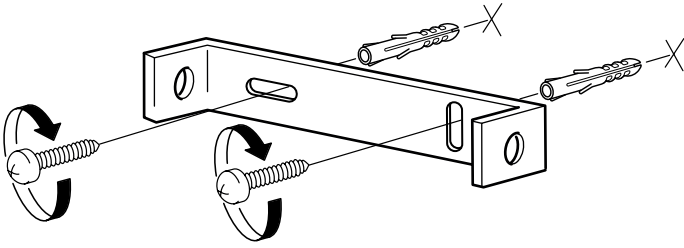
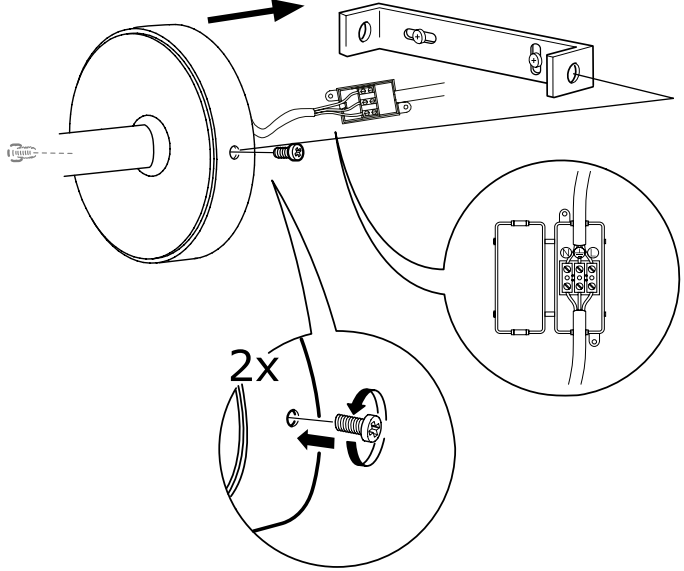
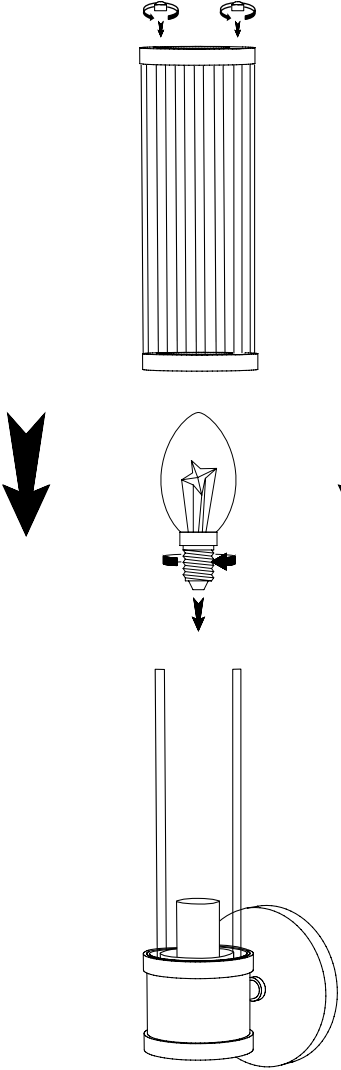
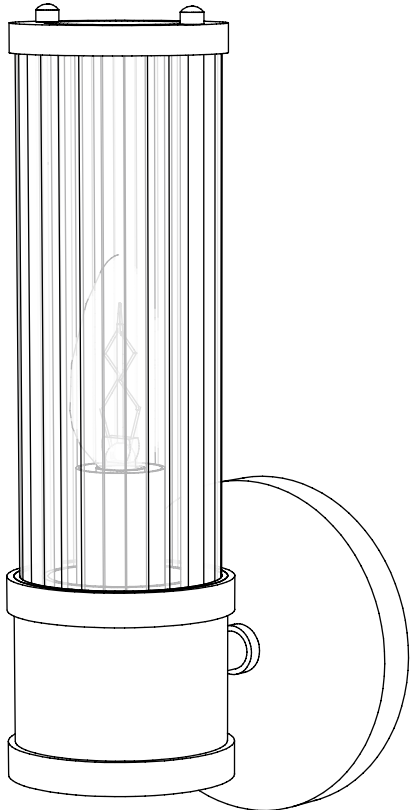




E I C H H O L T Z

111017 WALL LAMP CLARIDGES SINGLE

ASSEMBLY INSTRUCTION

<p>1</p> 	<p>2</p> 
<p>3</p> 	<p>FINAL</p>  <p>1. Fix the wall plate to the wall 2. Connect the power wires according to their colours, brown is the live wire, blue is the neutral wire, green/yellow is the earth wire. And place the lamp over de wall plate and fix it to the wall plate. 3. Place the bulbs and the place the glass covers.</p>