

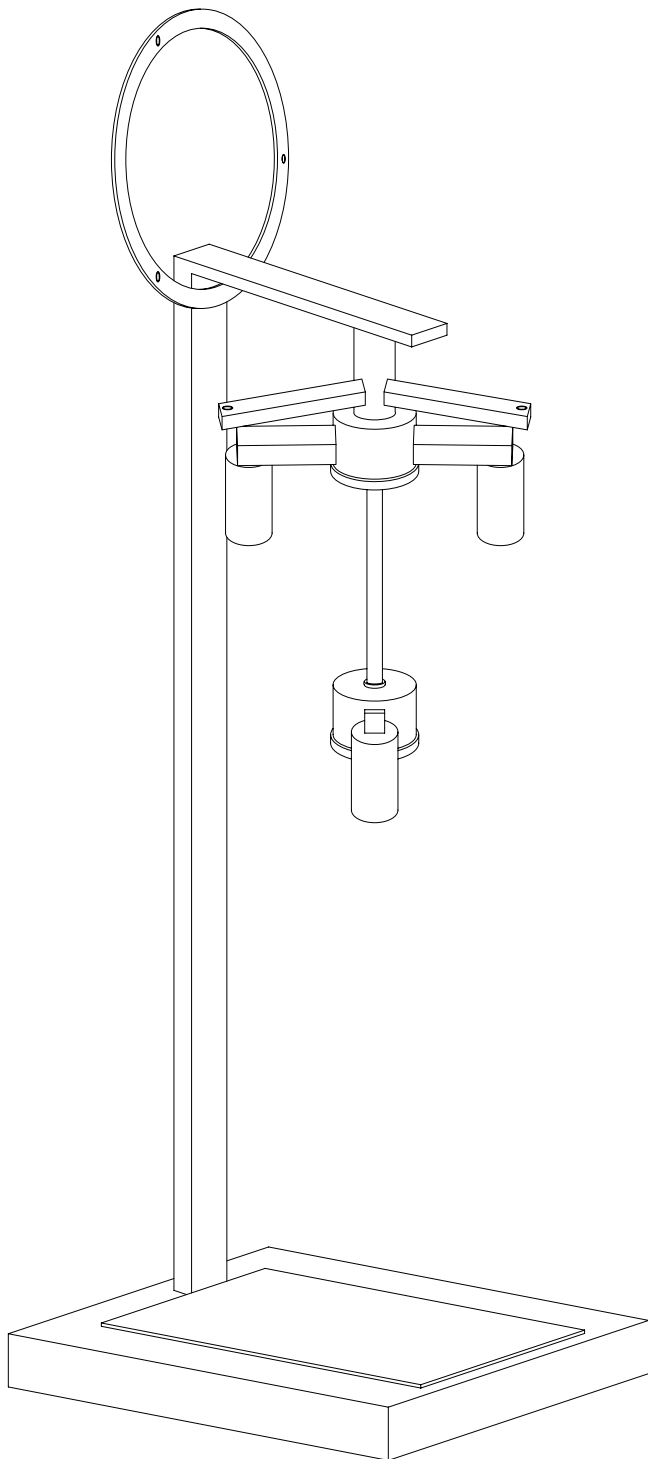


E I C H H O L T Z

110900 TABLE LAMP PIMLICO

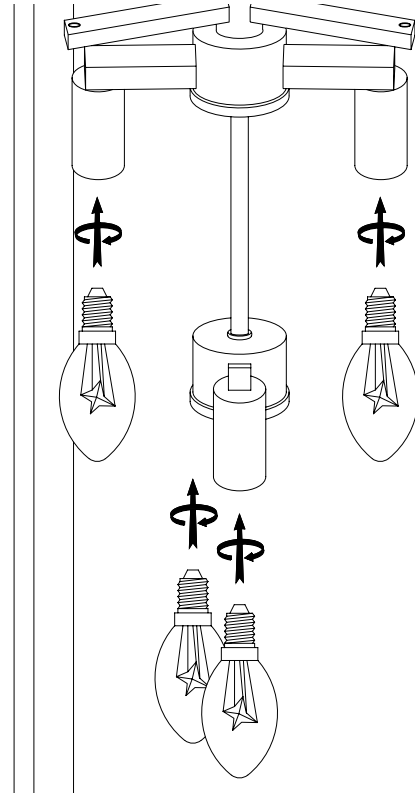
ASSEMBLY INSTRUCTION

1



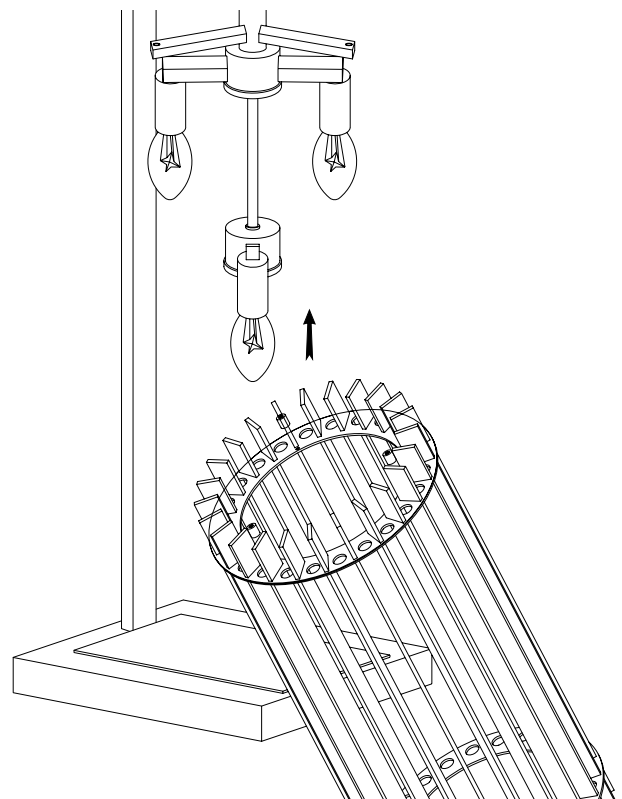
Move the ring to the top of the frame and hold it there.

2



Place the light bulbs.

3



Place the shade with glass rods over the bulbs. 1/2

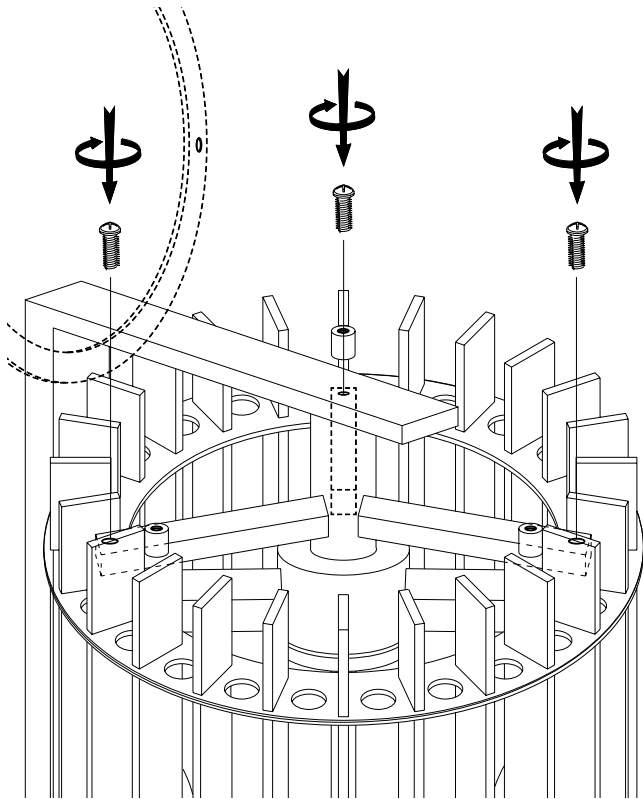


E I C H H O L T Z

110900 TABLE LAMP PIMLICO

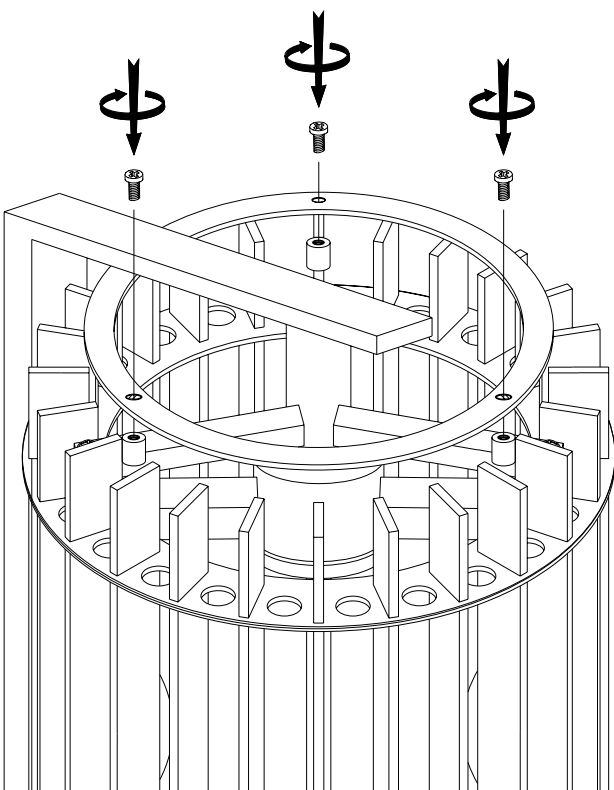
ASSEMBLY INSTRUCTION

4



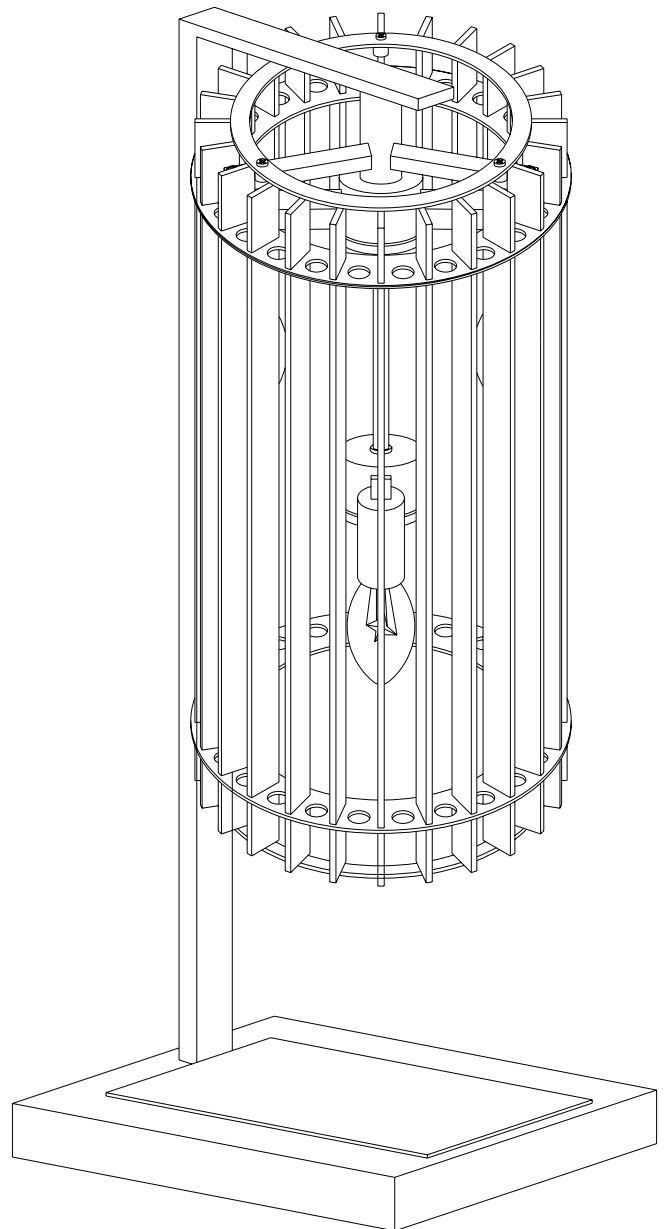
Fix the shade to the frame with 3 screws.

5



Fix the ring to the shade.

6



Final product.

2/2