



E I C H H O L T Z

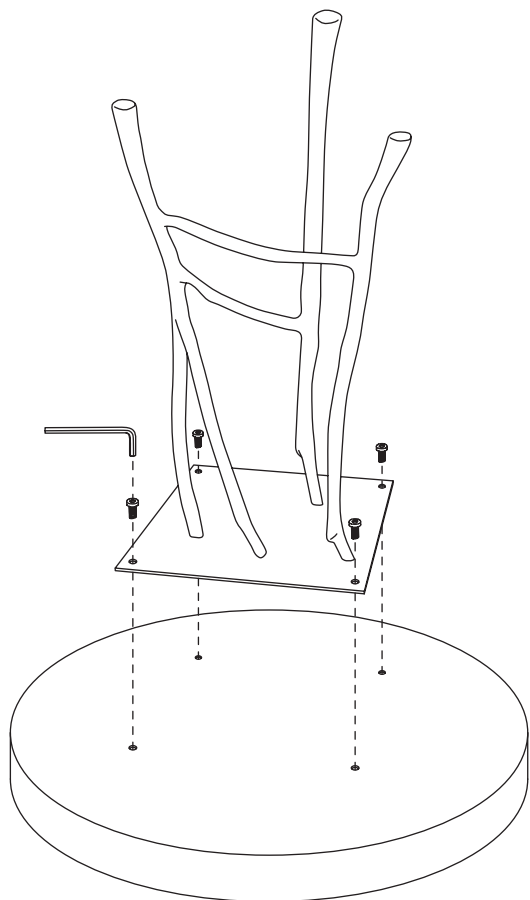
110618 SIDE TABLE VERITAS

ASSEMBLY INSTRUCTION

PARTS



1

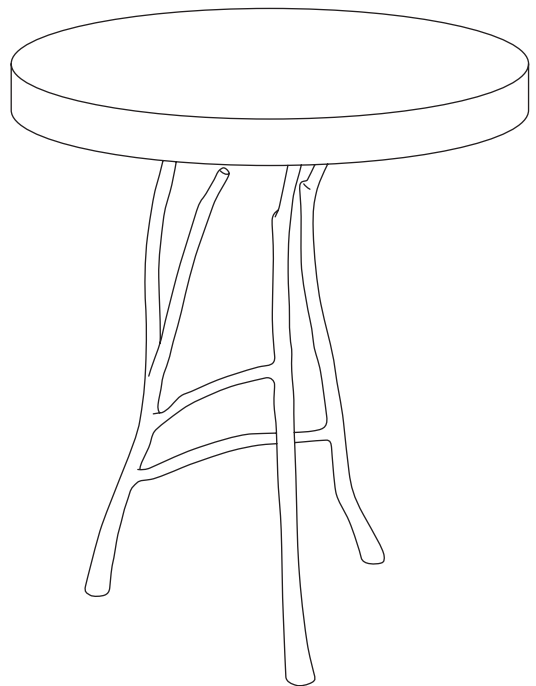


Place the table top on a padded area.

Fix the stand to the top with the included bolts.

Fully tighten the bolts with the allen key.

2



Final product.