



LOCINOX

LIVE CHAT: www.locinox.com

EMAIL: help@locinox.com

PHONE: BE-HQ: +32 56 77 27 66
PL-CEE: +48 717 58 21 09

VIDEO: www.locinox.com/serval

LOCINOX USA

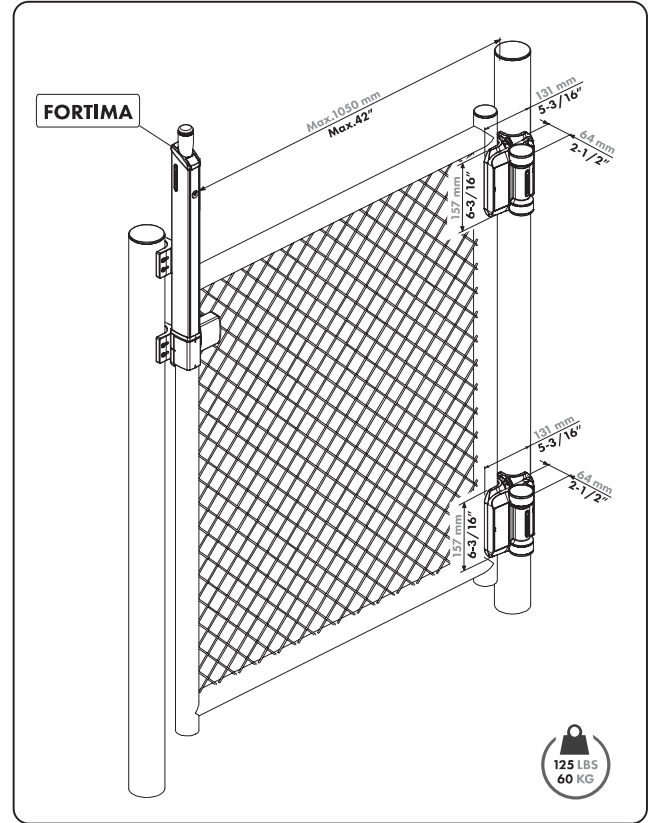
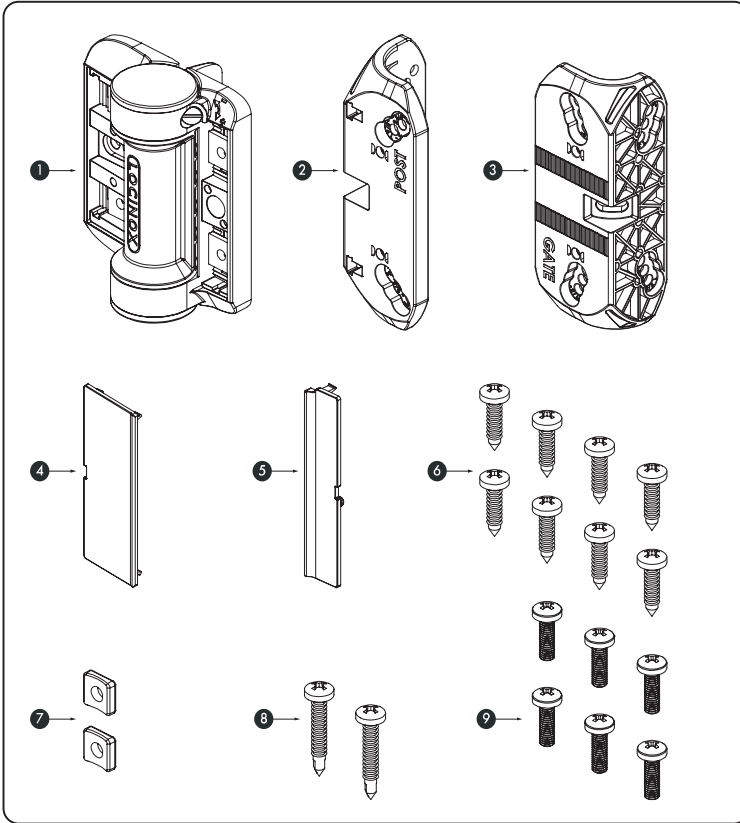
LIVE CHAT: www.locinoxusa.com

EMAIL: helpusa@locinox.com

PHONE: 877-LOCINOX

VIDEO: www.locinoxusa.com/serval

READ THE LIABILITY NOTICE CAREFULLY

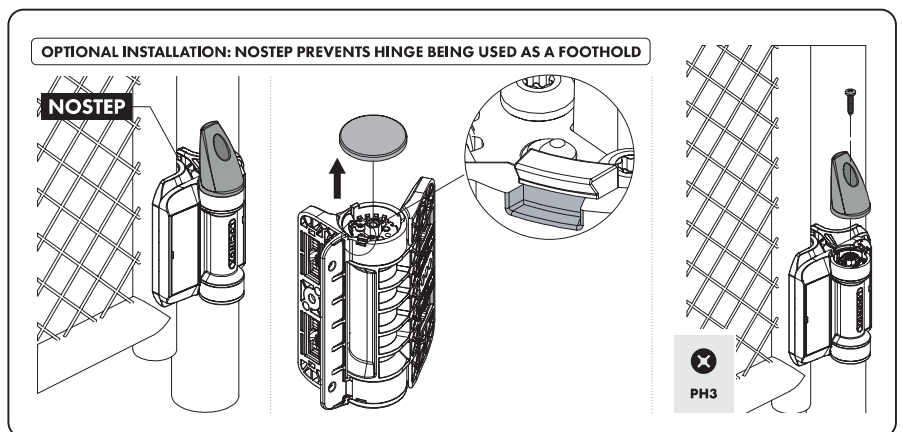
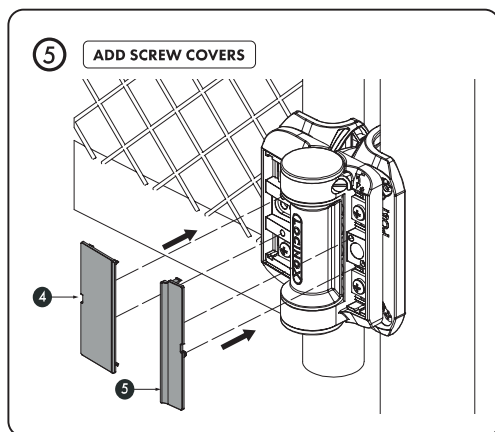
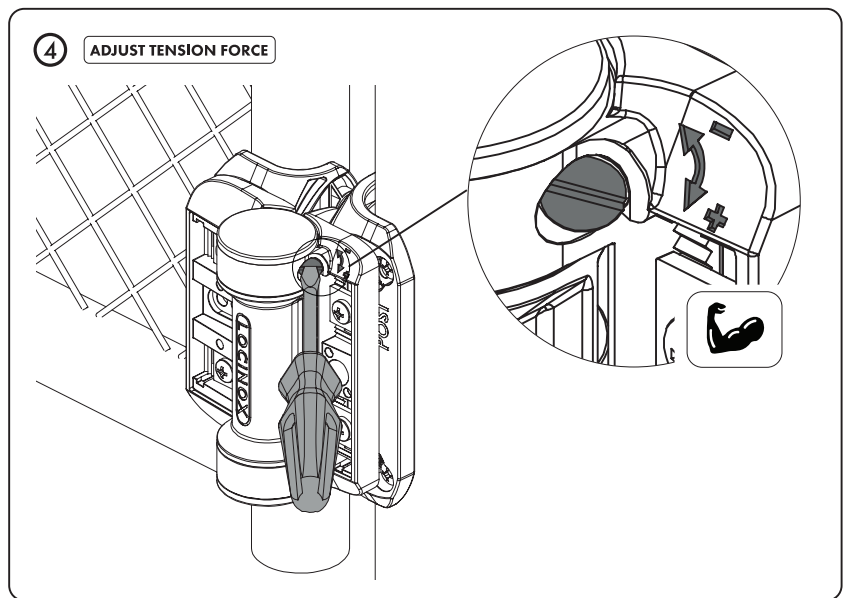
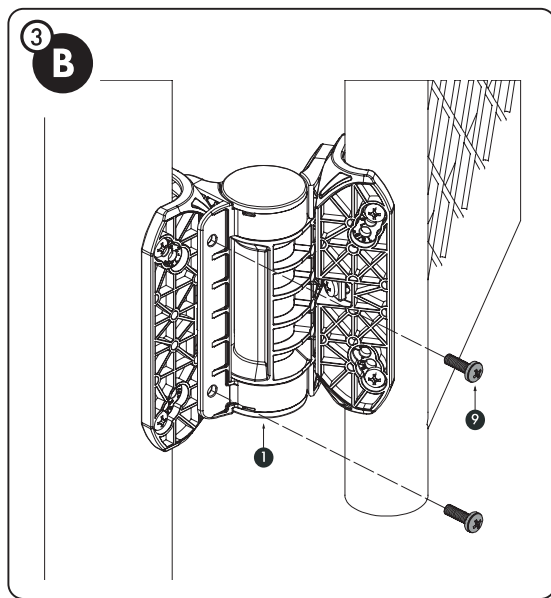
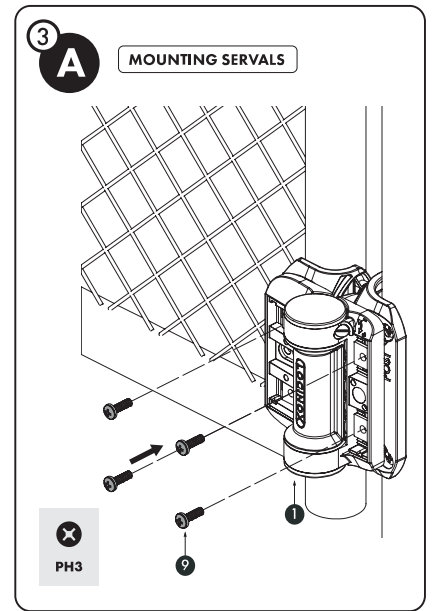
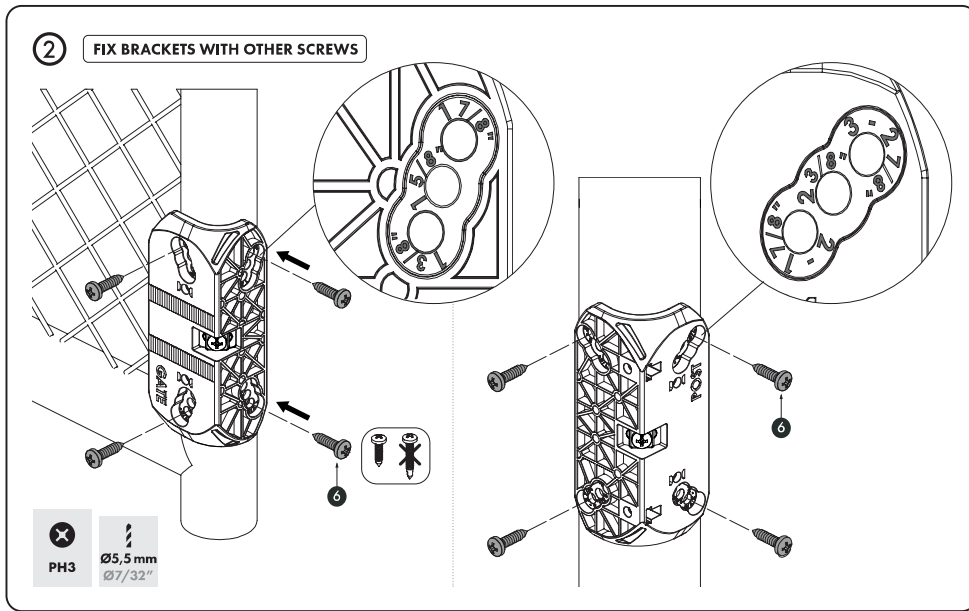


125 LBS
60 KG

MAXIMIZE DISTANCE BETWEEN THE HINGES. WHEN INSTALLED ON A POOL GATE, ALWAYS CONSULT YOUR LOCAL CODES AND REGULATIONS PRIOR TO INSTALLATION.

1 MOUNTING ROUND BRACKETS ON POST & GATE FRAME AND ALIGN BRACKETS

PH3 Ø5,5 mm Ø7/32"




SUCCESSFUL INSTALLATION?
 Please send us your pictures & videos
pictures@locinox.com

INSTALACION EXITOSA?
 Por favor envíenos sus fotos y videos

SUCCESSFUL INSTALLATION?
 Stuur gerust uw foto's & video's door

INSTALLATION RÉUSSIE?
 Veuillez nous envoyer vos photos & vidéos

ERFOLGREICHE INSTALLATION?
 Bitte senden Sie uns Ihre Bilder & Videos


UDANA INSTALACJA?
 Prześlij nam swoje zdjęcia i filmy

УСПЕШНАЯ УСТАНОВКА?
 Пожалуйста, отправьте нам свои фотографии и видео

LOCINOX®
Let's make it better together

Doc. Nr.: MANU-000460

Locinox NV • Mannebeekstraat 21 • 8790 Waregem • Belgium
 Locinox CEE • Irysowa 9 • 55-040 Bielany Wrocławskie • Poland
 Locinox LLC • 460 Windy Point Drive • Glendale Heights - IL 60139 • USA



MANU-000460