

# PRODUCT TECHNICAL DATASHEET

# SL/180/R

New 

Brushless 

Intensive use 

Reversible 

4096 PPR Digital Magnetic Encoder 

IPU technology 

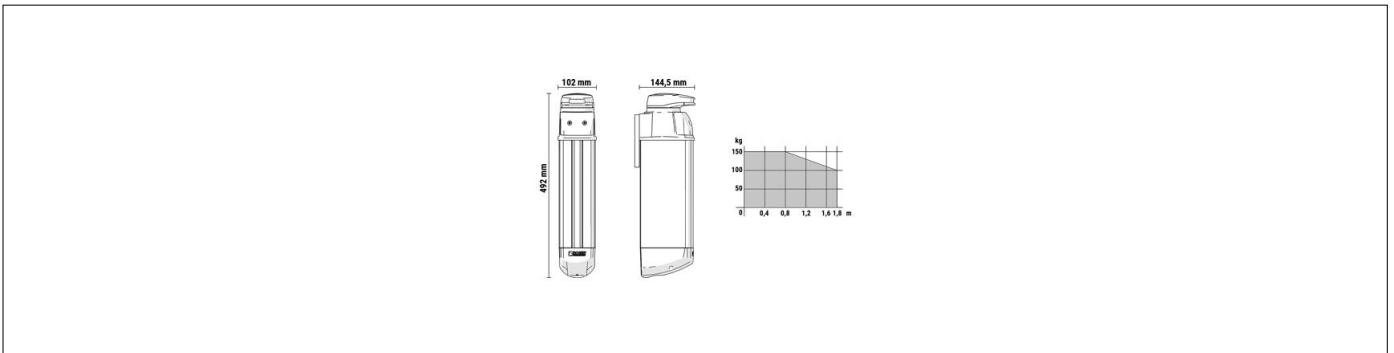


CODE	DESCRIPTION	PCS/PALLET
SL/180/R	BRUSHLESS IPU TECHNOLOGY low voltage electromechanical gear motor for intensive use, reversible, on-board power inverter with integrated digital encoder, ideal for leaves up to 1.8 m, without arms.	50

PRODUCT TECHNICAL SPECIFICATIONS	
Power line supply	230V~ 50Hz
Motor power supply	36V
Power rating	200W
Frequency of use	Intensive use
Torque	150 N m
Operating temperature	-20 + 55° C
Protection level	IP44
Reductor Type	Reversible
Manoeuvre speed	0,6 - 6,6 Rpm
Opening time	6-30 s
Limit switch	Mechanical stop on opening and closing only with LT341 accessory
Recommended digital controllers	F70/IPU36/BOX - F70/IPU36/BOX/SL
Encoder	Digital magnetic encoder SENSORED, 4096 PPR
Batteries recovery	3 external batteries 12V DC 4,5 Amp/h (on external box) - optional

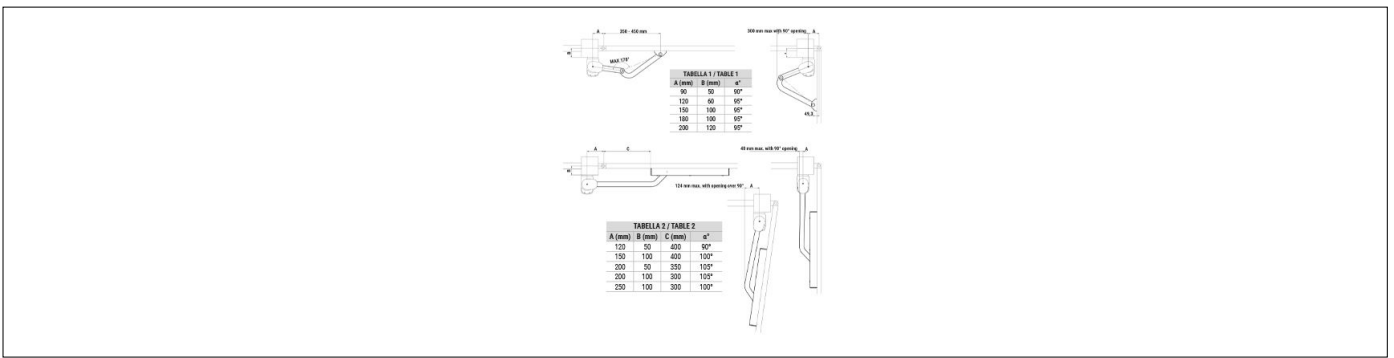
Operating cycles per day (opening/closing - 24 hours no stop)	400000
Maximum dimension product in mm (L x W x H)	492 x 102 x 144,5
Product weight packed (Kg)	13,7
Number items per pallet	50

# PRODUCT DIMENSIONS AND PREPARING FOR INSTALLATION



DIMENSIONS

# PRODUCT PREPARING FOR INSTALLATION



PREDISPOSITION FOR STANDARD INSTALLATION

# PRODUCT ACCESSORIES



**B71/BCIPU**  
Batteries charger for Brushless digital controller IPU36.



**BT12V12**  
Battery 12V 1.2 Ah (1 pc).



**B71/PBX36/BOX**  
Hybrid inverter, "Network Assisted" version, for powering the automation. Also provides a battery-charger function thanks to the connection to the solar panels or mains supply for powering the 36V DC brushless digital controllers with a mains voltage of 230V AC.



**B71/PBX36/BOX/115**  
Hybrid inverter, "Network Assisted" version, for powering the automation. Also provides a battery-charger function thanks to the connection to the solar panels or mains supply for powering the 36V DC brushless digital controllers with a mains voltage of 115V AC.



**B71/PBX/BOX**  
Hybrid inverter, "Full Solar" version, for powering the automation. Also provides a battery-charger function thanks to the connection to the solar panels for powering the brushless digital controllers.



**LT340**  
Arms short for articulated SLED series.



**LT341**  
Slide arm lever for articulated SLED series.



**KT250**  
Column mounting plate for SLED series.



**KT218**  
Gate pull bracket for series articulated.



**B73/RGB**  
RGB light control device for F70/INV36/1 modules.



**B74/BCONNECT**  
Module WI-FI B-CONNECT - Remote management and programming system in IP and CLOUD web browser mode via Wi-Fi hot spot P2P connection for Brushless control units (B70/2ML - EDGE1 - CTRL - CTRL/P - B70/1DC - B70/1DCHP - B70/1T - B70/1THP).



**SL/LED/RGB**  
LED strip for SLED motors.



**R99/C/001AL**  
Signboard "Automatic Opening"  
Aluminium version.



**R99/C/001**  
Signboard "Automatic Opening".