

FW  
r1.2



IS105 Rev.03 20/01/2022

# H85/TDR

## Tastiera radio a codice numerico ROGER ACCESSORI



- IT - Istruzioni e avvertenze per l'installatore**
- EN - Instruction and warnings for the installer**
- DE - Anleitungen und Hinweise für den Installateur**
- FR - Instructions et mises en garde pour l'installateur**
- ES - Instrucciones y advertencias para el instalador**
- PT - Instruções e advertências para o instalador**



## ITALIANO

1	Avvertenze generali	8
2	Caratteristiche tecniche	8
3	Descrizione	8
4	Funzionalità della tastiera H85/TDR	8
5	Installazione tastiera	9
6	Sequenza di programmazione	9
7	Memorizzazione di un codice utente (fig. 10-11)	9
8	Memorizzazione H85/TDR sul ricevitore radio (fig. 5)	9
9	Attivazione del codice utente / trasmissione	10
10	Cancellazione di un codice utente (fig. 12)	10
11	Cambio password (fig. 8)	10
11.1	Ripristino della password al valore di fabbrica (fig. 9)	10
12	Cancellazione completa della memoria (fig. 13)	11
13	Funzione avanzata: mascheramento del codice	11
14	Segnalazioni	11
15	Cancellazione di un tasto canale dal ricevitore	11
16	Sostituzione delle batterie (fig. 6)	12
17	Collaudo	12
18	Manutenzione	12
19	Smaltimento	12
20	Informazioni aggiuntive e contatti	12
21	Dichiarazione di Conformità	13

## ENGLISH

1	General safety precautions	14
2	Technical specifications	14
3	Description	14
4	Functionality of the H85/TDR keypad	14
5	Keypad installation	15
6	Programming sequence	15
7	Storing a user code (fig. 10-11)	15
8	Programming the H85/TDR keypad on the radio receiver (fig. 5)	15
9	Activating a user code / transmission	16
10	Deleting a user code (fig. 12)	16
11	Changing password (fig. 8)	16
11.1	Reset password to factory setting (fig. 9)	16
12	Complete memory erasure (fig. 13)	17
13	Advanced function: Code masking	17
14	Indicators	17
15	Cancelling a channel key from the receiver	17
16	Replacing the batteries (fig. 6)	18
17	Initial testing	18
18	Maintenance	18
19	Disposal	18
20	Additional information and contact details	18
21	Declaration of Conformity	19

## DEUTSCH

1	Allgemeine Sicherheitshinweise	20
2	Technische Daten	20
3	Beschreibung	20
4	Betrieb der Tastatur H85/TDR	20
5	Installation der Tastatur	21
6	Ablauf der Programmierung	21
7	Speicherung eines Benutzercodes (Abb. 10-11)	21
8	Speicherung H85/TDR auf dem Funkempfänger (Abb. 5)	21
9	Aktivierung des Benutzercodes / Übertragung	22
10	Löschen eines Benutzercodes (Abb. 12)	22
11	Passwort ändern (Abb. 8)	22
11.1	Rückstellung des Passworts auf den voreingestellten Wert (Abb. 9)	22
12	Vollständiges Löschen des Speichers (Abb. 13)	23
13	Erweiterte Funktion: Ausblendung des Codes	23
14	Anzeigen	23
15	Löschen einer Kanaltaste vom Empfänger	23
16	Austausch der Akkus (Abb. 6)	24
17	Abnahmeprüfung	24
18	Wartungsarbeiten	24
19	Entsorgung	24
20	Zusätzliche Informationen und Kontakte	25
21	Konformitätserklärung	25

## FRANÇAIS

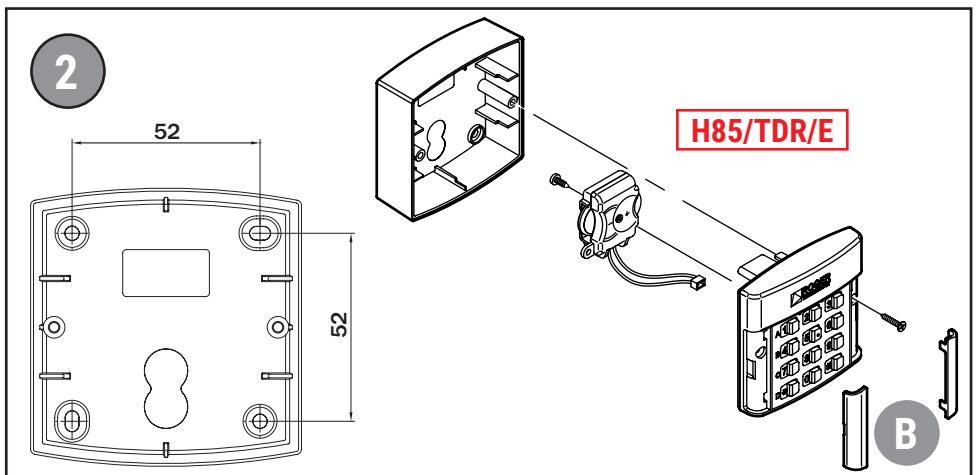
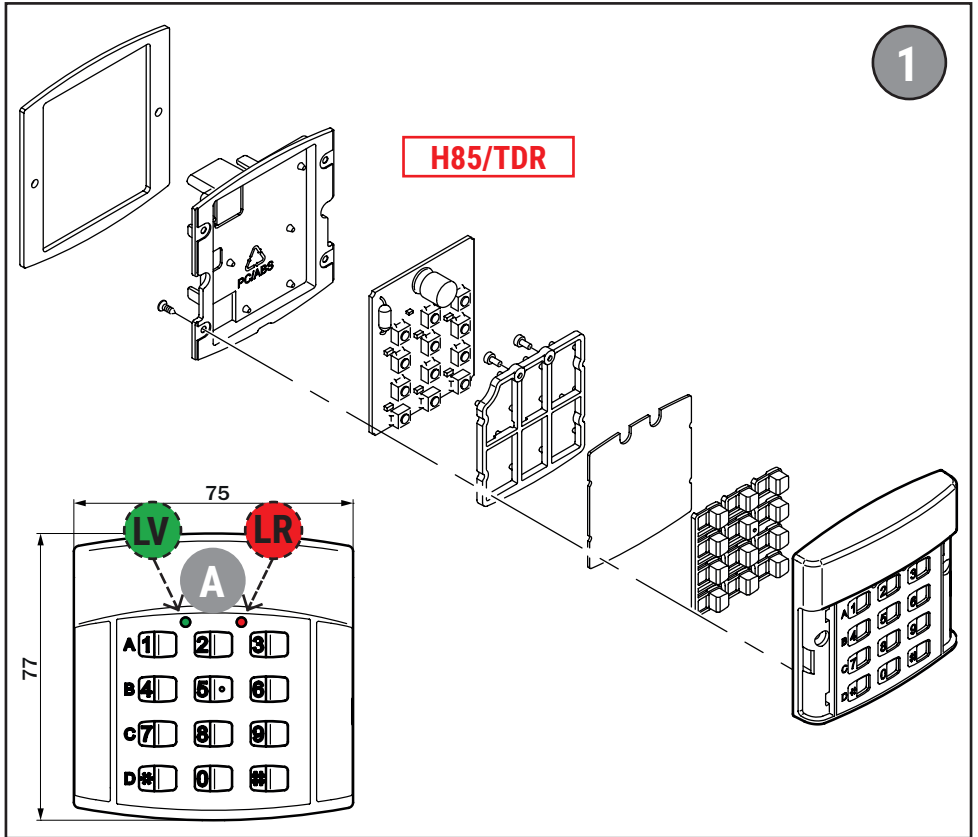
1	Consignes générales de sécurité	26
2	Caractéristiques techniques	26
3	Description	26
4	Fonctionnalité du clavier H85/TDR	26
5	Installation du clavier	27
6	Séquence de programmation	27
7	Mémorisation d'un code utilisateur (fig. 10-11)	27
8	Mémorisation H85/TDR sur le récepteur radio (fig. 5)	27
9	Activation du code utilisateur / transmission	28
10	Suppression d'un code utilisateur (fig. 12)	28
11	Changement mot de passe (fig. 8)	28
12	Rétablissement du mot de passe à la valeur d'usine (fig. 9)	28
13	Effacement complet de la mémoire (fig. 13)	29
14	Fonction avancée : masquage du code	29
15	Signalisations	29
16	Annulation d'une touche canal du récepteur	29
17	Remplacement des batteries (fig. 6)	30
18	Test	30
19	Entretien	30
20	Élimination	30
21	Informations complémentaires et contacts	30
22	Déclaration de conformité	31

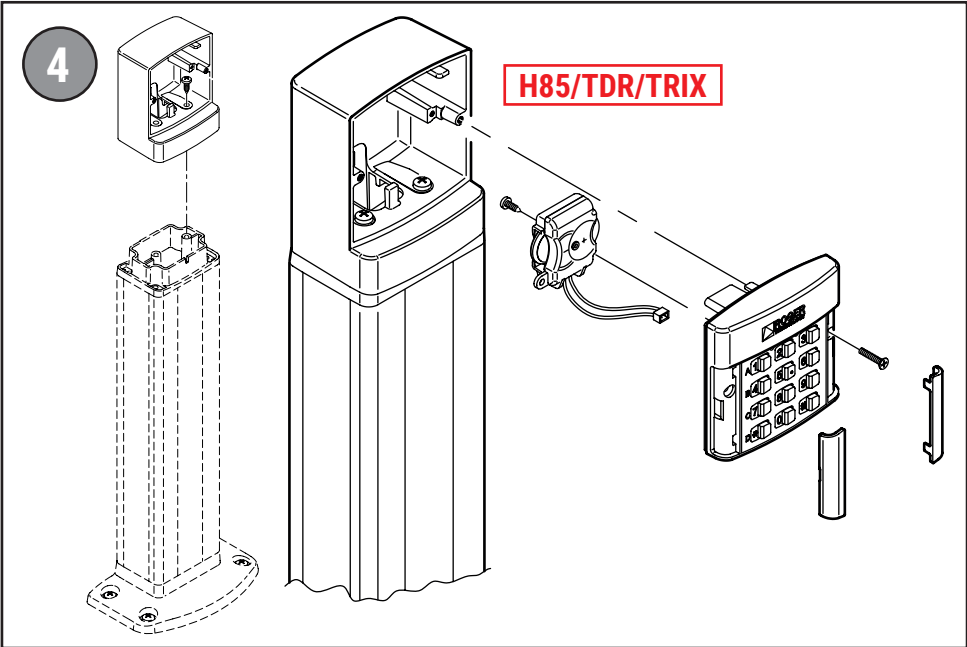
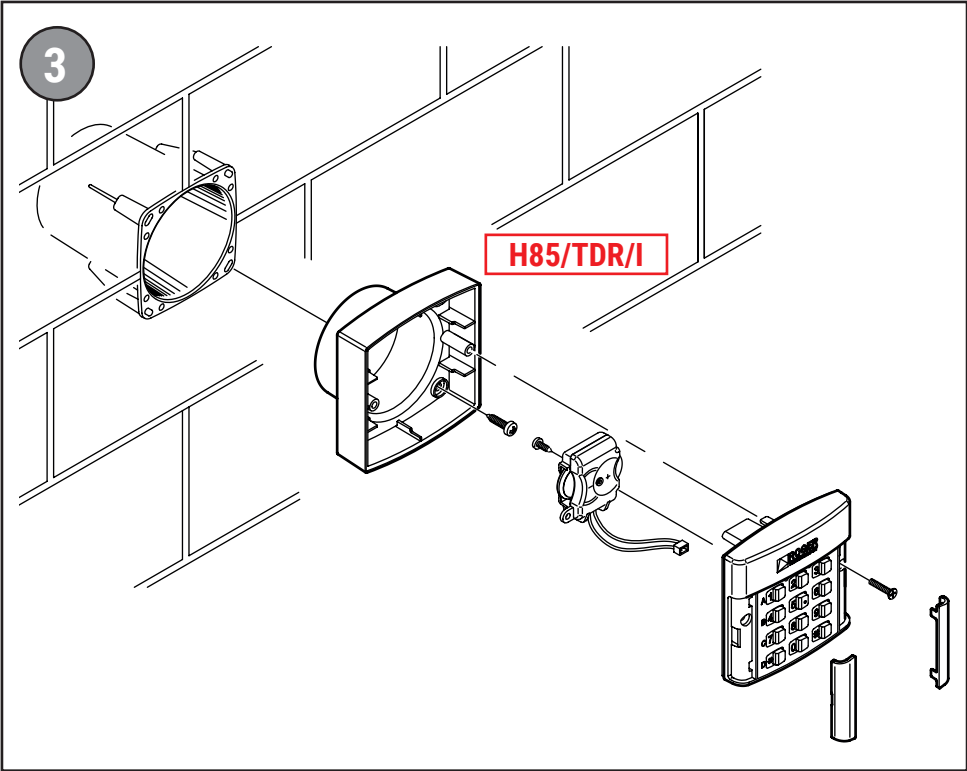
## ESPAÑOL

1	Advertencias generales	32
2	Características técnicas	32
3	Descripción	32
4	Funcionamiento del teclado H85/TDR	32
5	Instalación del teclado	33
6	Secuencia de programación	33
7	Memorización de un código de usuario (fig. 10-11)	33
8	Memorización H85/TDR en el receptor de radio (fig. 5)	33
9	Activación del código de usuario / transmisión	34
10	Borrado de un código de usuario (fig. 12)	34
11	Cambio de contraseña (fig. 8)	34
11.1	Recuperación de la contraseña con el valor de fábrica (fig. 9)	34
12	Borrado completo de la memoria (fig. 13)	35
13	Función avanzada: enmascaramiento del código	35
14	Señalizaciones	35
15	Anulación de una tecla de canal desde el receptor	36
16	Sustitución de las baterías (fig. 6)	36
17	Ensayo	36
18	Mantenimiento	36
19	Eliminación	36
20	Información adicional y contactos	37
21	Declaración de Conformidad	37

## PORTUGUÊS

1	Advertências gerais	38
2	Características Técnicas	38
3	Descrição	38
4	Funcionalidades do teclado H85/TDR	38
5	Instalação do teclado	39
6	Sequência de programação	39
7	Memorização de um código de utilizador (fig. 10-11)	39
8	Memorização H85/TDR no receptor de rádio (fig. 5)	39
9	Ativação do código de utilizador / transmissão	40
10	Cancelamento de um código de utilizador (fig. 12)	40
11	Alteração da senha (fig. 8)	40
11.1	Redefinição da senha ao valor de fábrica (fig. 9)	40
12	Cancelamento completo da memória (fig. 13)	41
13	Função avançada: mascaramento do código	41
14	Sinalizações	41
15	Exclusão de uma tecla de canal do receptor	42
16	Substituição das baterias (fig. 6)	42
17	Teste	42
18	Manutenção	42
19	Descarte	42
20	Informações adicionais e contatos	43
21	Declaração de conformidade	43

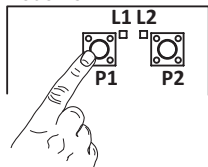




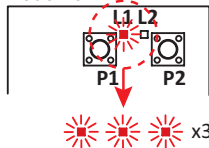
5

**MEMORIZZAZIONE DI H85/TDR SU RICEVITORE**  
**STORAGE OF H85/TDR ON RECEIVER**

Ricevitore  
Receiver



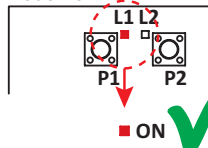
Ricevitore  
Receiver



H85/TDR



Ricevitore  
Receiver



ON



**1** Premere/Press

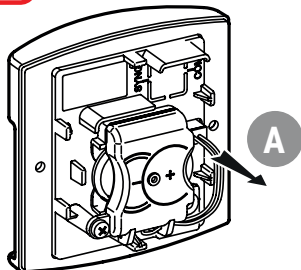
**2** LED lampeggia  
LED flashing

**3** Esempio/Example  
34741 \* 4/B

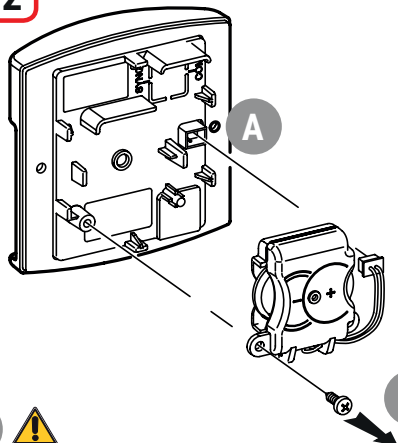
**4** LED = ON = OK

6

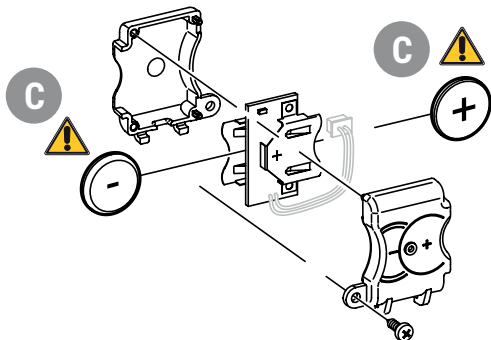
**1**



**2**



**3**

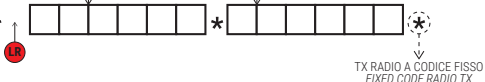


# 7

## MEMORIZZAZIONE DELLA PASSWORD (PARTENDO DA PASSWORD DI FABBRICA "0000") STORING THE PASSWORD (STARTING WITH THE FACTORY PASSWORD "0000")

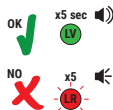
SCRIVI QUI LA PASSWORD CHE VUOI MEMORIZZARE, SE MENO DI 6 CIFRE CANCELLA LE RIMANENTI CASELLE  
WRITE HERE THE PASSWORD YOU WANT TO STORE, IF LESS THAN 6 DIGITS, DELETE THE REMAINING BOXES

SEQUENZA DA DIGITARE:  
SEQUENCE TO BE ENTERED: \*\* 0000 \*



SCRIVI QUI LA PASSWORD CHE VUOI MEMORIZZARE, SE MENO DI 6 CIFRE CANCELLA LE RIMANENTI CASELLE  
WRITE HERE THE PASSWORD YOU WANT TO STORE, IF LESS THAN 6 DIGITS, DELETE THE REMAINING BOXES

SEQUENZA DA DIGITARE:  
SEQUENCE TO BE ENTERED: \*\* 0000 #

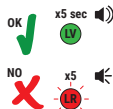
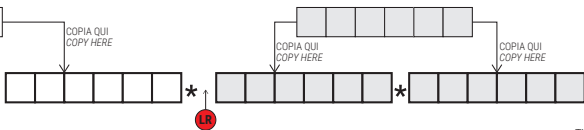


# 8

## CAMBIO DELLA PASSWORD CHANGING THE PASSWORD

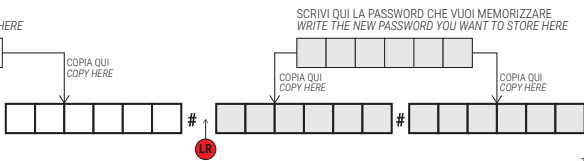
SCRIVI QUI LA PASSWORD ATTUALE  
ENTER YOUR CURRENT PASSWORD HERE

SEQUENZA DA DIGITARE:  
SEQUENCE TO BE ENTERED: \*\*



SCRIVI QUI LA PASSWORD ATTUALE  
ENTER YOUR CURRENT PASSWORD HERE

SEQUENZA DA DIGITARE:  
SEQUENCE TO BE ENTERED: \*\*

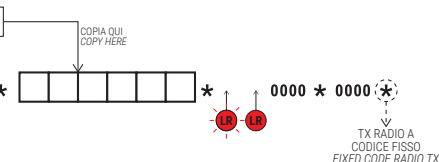


# 9

## RIPRISTINO DELLA PASSWORD AL VALORE DI FABBRICA (0000) RESET THE PASSWORD TO THE FACTORY DEFAULT VALUE (0000)

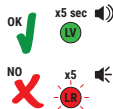
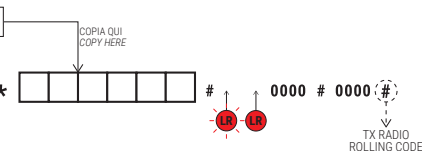
SCRIVI QUI UNO QUALUNQUE DEI CODICI UTENTE MEMORIZZATI NELLA TASTIERA  
WRITE HERE ANY OF THE USER CODES STORED IN THE KEYBOARD

SEQUENZA DA DIGITARE:  
SEQUENCE TO BE ENTERED: \*\*



SCRIVI QUI UNO QUALUNQUE DEI CODICI UTENTE MEMORIZZATI NELLA TASTIERA  
WRITE HERE ANY OF THE USER CODES STORED IN THE KEYBOARD

SEQUENZA DA DIGITARE:  
SEQUENCE TO BE ENTERED: \*\*





# 10

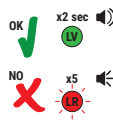
## MEMORIZZAZIONE DI UN CODICE UTENTE CON ABILITAZIONE DI TUTTE LE FUNZIONI (A, B, C, D) STORAGE OF A USER CODE ENABLING ALL FUNCTIONS (A, B, C, D)

SCRIVI QUI LA PASSWORD ATTUALE  
ENTER YOUR CURRENT PASSWORD HERE  
(0000 SE NON HAI MODIFICATO QUELLA DI FABBRICA)  
(0000 IF YOU HAVE NOT CHANGED THE FACTORY DEFAULT)

COPIA QUI  
COPY HERE

SCRIVI QUI IL CODICE CHE VUOI MEMORIZZARE  
WRITE HERE THE CODE YOU WANT TO STORE

SEQUENZA DA DIGITARE:  
SEQUENCE TO BE ENTERED: \*  \*  # #



# 11

## MEMORIZZAZIONE DI UN CODICE UTENTE CON ABILITAZIONE SOLO DI ALCUNE FUNZIONI (SCELTE TRA A, B, C, D) STORAGE OF A USER CODE ENABLING ONLY CERTAIN FUNCTIONS (CHOICE BETWEEN A, B, C, D)



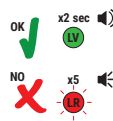
SCRIVI QUI LA PASSWORD ATTUALE  
ENTER YOUR CURRENT PASSWORD HERE  
(0000 SE NON HAI MODIFICATO QUELLA DI FABBRICA)  
(0000 IF YOU HAVE NOT CHANGED THE FACTORY DEFAULT)

COPIA QUI  
COPY HERE

SCRIVI QUI IL CODICE CHE VUOI MEMORIZZARE  
WRITE HERE THE CODE YOU WANT TO STORE

SCRIVI QUI LE FUNZIONI DA ABILITARE (A,B,C,D)

SEQUENZA DA DIGITARE:  
SEQUENCE TO BE ENTERED: \*  \*  #  #



# 12

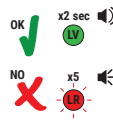
## CANCELLAZIONE DI UN CODICE UTENTE DELETION OF A USER CODE

SCRIVI QUI IL CODICE UTENTE CHE VUOI CANCELLARE  
WRITE HERE THE USER CODE YOU WANT TO DELETE

COPIA QUI  
COPY HERE

COPIA QUI  
COPY HERE

SEQUENZA DA DIGITARE:  
SEQUENCE TO BE ENTERED: # #  \*  \*



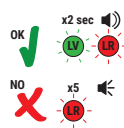
# 13

## CANCELLAZIONE COMPLETA DELLA MEMORIA CODICI COMPLETE DELETION OF CODE MEMORY

SCRIVI QUI LA PASSWORD ATTUALE  
ENTER YOUR CURRENT PASSWORD HERE

COPIA QUI  
COPY HERE

SEQUENZA DA DIGITARE:  
SEQUENCE TO BE ENTERED: # # \*  # # \*



# 1 General safety precautions

This installation manual is intended for qualified personnel only.

ROGER TECHNOLOGY cannot be held responsible for any damage or injury due to improper use or any use other than the intended usage indicated in this manual.

Installation, electrical connections and adjustments must be performed by qualified personnel, in accordance with best practices and in compliance with applicable regulations.

Before installing the product, make sure it is in perfect condition.


Disconnect the mains electrical power before performing any work. Also disconnect any buffer batteries used.

Only use original spare parts when repairing or replacing products.

The packaging materials (plastic, polystyrene, etc.) should not be discarded in the environment or left within reach of children, as they are a potential source of danger.

**WARNING! Handle electronic parts and terminals with extreme care, as these parts are highly sensitive to static electricity.**

## 2 Technical specifications

MAXIMUM NUMBER OF STORABLE USER CODES	450
MAXIMUM NUMBER OF DIGITS PER USER CODE	6
MINIMUM NUMBER OF DIGITS PER USER CODE	3
NUMBER OF BITS OF KEYPAD IDENTIFICATION CODE	16 (fixed code) - 32 ("rolling code")
NUMBER OF CODE COMBINATIONS	65536 (fixed code) - 4.294.967.296 ("rolling code")
NUMBER OF BITS TRANSMITTED	28 (fixed code) - 144 ("rolling code")
TRANSMISSION FREQUENCY	433.92 MHz
MODULATION	AM/ASK
MAXIMUM TRANSMISSION DISTANCE IN UNOBSTRUCTED ENVIRONMENT	100 m
AVERAGE POWER CONSUMPTION WITH KEYPAD ACTIVE	12 mA
BATTERY	2xCR2032
BATTERY LIFE	at least 2 years with 10 activations/day
OPERATING TEMPERATURE	 -10° C +55° C
DEGREE OF PROTECTION	IP54
PRODUCT DIMENSIONS	<b>H85/TDR/I</b> <b>H85/TDR/E</b> <b>H85/TDR/TRIX</b> dimensions 75x77x60 Weight: 119 g dimensions 75x77x41 Weight: 114 g dimensions 75x98x58 Weight: 256 g

## 3 Description

The **H85** code-based control system enables automated motorized systems to be controlled by entering a code.

The numeric code wireless keypad is available:

- **H85/TDR/E**: for wall mounting (fig. 2);
- **H85/TDR/I**: recessed (fig. 3);
- **H85/TDR/TRIX**: for pillar mounting (fig. 4).

## 4 Functionality of the H85/TDR keypad

The **H85/TDR** numerical code wireless keypad consists of 12 keys, 4 of which also with a channel activation function, for code-based access control.

Channel keys **1/A**, **4/B**, **7/C** and **\*/D** do not have predefined functions and may be associated with an function of the radio receiver.

It has two indicator LEDs, one green **LV** and one red **LR** (fig. 1, detail A), and a buzzer.

The red LED **LR** flashes during radio transmission in fixed code mode (with radio receiver **H93/RX22A/I**, **R93/RX12A/U** and **R93/RX12A/I**); the green LED **LV** flashes during transmission in rolling code mode (with radio receiver **H93/RX2RC/I** and **R93/RX2RC/U**).

Up to 450 user codes can be stored, each of which must have a minimum of 3 digits and a maximum of 6.

The **H85/TDR** wireless code keypad can manage multiple radio receivers, each of which activated with a channel key (**1/A**, **4/B**, **7/C** and **\*/D**).



## 5 Keypad installation

Depending on the type of keypad selected (see **figures 2, 3, 4**), proceed with the installation as shown below:

- Undo the securing screws and open the **H85/TDR** keypad. Fix the keypad to the desired surface with suitable screws (not supplied).
- Connect the batteries to the relative connector on the electronic circuit board (see fig. 6).
- Reassemble the **H85/TDR** keypad and fasten the side covers, ensuring they are positioned correctly (fig. 2 detail **B**).

## 6 Programming sequence

- 1) Store a user code; make a note of its value as it may be used to reset the password in the future (you must know one of the user codes in the memory).
- 2) Store **H85/TDR** on the radio receiver.
- 3) With **LV** and **LR** LEDs off (keypad in stand-by) check that the user code has been successfully stored by entering the activation sequence.
- 4) Store any other user codes (other than the first).
- 5) Save a new password (factory default is 0000), note its value.

NOTE: changing the password is recommended to ensure the security of the installation.

## 7 Storing a user code (fig. 10-11)

At first power on, to begin using the keypad, the default password is **0000**.

### ATTENTION!

It is NOT possible to store the user code **0000**.

It is NOT possible to store a user code that is the same as the password (example: user code **1234** and password **1234**).

**Example 1:** memorization of user code 34741, password 0000, enabling of all function keys **1/A, 4/B, 7/C, \*/D** digit:

\* 0000 \* (the red **LR** LED lights up) **34741** # #

**Example 2:** memorization of user code 34741, password 0000, enable only function key **4/B** digit:

\* 0000 \* (the red **LR** LED lights up) **34741** # **B** #

**N.B.:** if the password entered is correct, the red **LR** LED will light up. If it doesn't light up, repeat the procedure with the correct password.

If the procedure is successful the green **LV** LED lights up for 2 s. The buzzer sounds until the LED goes out.

**Figure 10-11 illustrates the examples given above.**

## 8 Programming the H85/TDR keypad on the radio receiver (fig. 5)

Once the user code has been stored, the **H85/TDR** keypad is usable as a fully functional 4 key/channel radio remote control **1/A, 4/B, 7/C, \*/D**.

To store the radio keypad, proceed as follows:

- With the receiver powered and switched on, press **P1** or **P2** for the function you want to enable on the **H85/TDR** keypad.
- The respective LED **L1** or **L2** flashes slowly 3 times to indicate that acquisition mode is active.
- During this period, enter the user code (e.g. **34741**) followed by an asterisk (\*) and the key/channel you want to store on the receiver (e.g. **4/B**).
- If the storage on the receiver is successful, the LED on the receiver **L1** or **L2** lights steadily.
- If LED of receiver **L1** or **L2** flashes rapidly 3 times, the user code is already stored in the receiver memory.
- Once the keypad has been stored, LED **L1** or **L2** flashes slowly 3 times to indicate that the unit is waiting for further programming. If it receives no further programming input during this period, the receiver automatically exits programming mode.
- If you wish to activate another function of the receiver with a different key/channel on the keypad, store this additional key/channel on the receiver as well by repeating the procedure.

## 9 Activating a user code / transmission

---

Enter the previously stored user code (e.g. **34741**) followed by star (\*).  
If the code has been stored in the memory, the keypad's green **LV** LED lights up.  
Press and hold the enabled key/channel (e.g. **4/B - CH\_B**).  
Example:

**34741 \* B**

If ONLY ONE of the channels **CH** is enabled (**1/A...4/B...7/C...\*/D**), radio transmission is activated immediately after the user code is entered followed by pressing the \* (asterisk) key:  
EXAMPLE with user code **89512** and channel **CH\_A** enabled.

**89512 \* (CH\_A transmit)**

**N.B.:** transmission continues as long as the asterisk key (\*) is held; the **H85/TDR** keypad switches off as soon as the key is released.

### WARNING!

- A maximum of 5 s may elapse between pressing one key and the next, otherwise an error alert is activated (the red **LR** LED blinks rapidly 3 times) and the code must be entered again.
- Pressing a key/channel that has not been enabled (**1/A, 4/B** etc.) does not activate radio transmission.
- In case of error while entering the code, press **#** to exit activation mode.

## 10 Deleting a user code (fig. 12)

---

Identify the user code (e.g. **34741**) to be deleted, and enter in sequence:

**# # 34741 \***

If the code is present in the memory, the red **LR** LED blinks and then remains steady-on.  
Confirm within 5 s, by entering

**34741 \***

If the two codes have been entered correctly (the same), the procedure is successful and the green **LV** LED lights up for 2 s. The buzzer sounds until the LED goes out.  
Using again our example with user code to delete **34741**:

**# # 34741 \* 34741 \***

## 11 Changing password (fig. 8)

---

**For the security of the installation, it is recommended to change the password from the factory default value 0000.**  
The "change password" operation also selects the type of encoding of the radio transmission: fixed code or "rolling code".

Therefore, if you only wish to change the type of encoding without changing the password, you must carry out the sequence described, taking care to keep the password.  
The factory default password is **0000**.

**Change password from 0000 to 12345, tx radio fixed code, enter in sequence:**

**\*\* 0000 \* (the red LR LED lights up) 12345 \* 12345 \***

**Change password from 0000 to 12345, tx radio rolling code, enter in sequence:**

**\*\* 0000 # (the red LR LED lights up) 12345 # 12345 #**

If the procedure is successful, the green **LV** LED lights up and the buzzer sounds for 2 s.  
If the procedure is NOT successful, the red **LR** LED blinks rapidly 5 times and the buzzer sounds intermittently.

### 11.1 Reset password to factory setting (fig. 9)

---

If the password is lost/forgotten, it can be reset to the factory default value (**0000**) by knowing any of the user codes stored in the H85/TDR.

To reset the password, if for example the user code **12345** is known, enter in sequence:

### Procedure for fixed code radio transmission:

\* \* 12345 \* (the red LR LED lights up) 0000 \* 0000 \*

### Procedure for rolling code radio transmission:

\* \* 12345 # (the red LR LED lights up) 0000 # 0000 #

If the procedure is successful, the green LV LED on the keypad lights up for 2 s. The buzzer sounds until the LED goes out.

If the procedure is NOT successful, the red LR LED on the keypad blinks rapidly 5 times and the buzzer sounds intermittently.

## 12 Complete memory erasure (fig. 13)

All user codes can be deleted from the memory, of the H85/TDR wireless code keypad, digitizing in sequence, using the last password entered (example last password entered 12345):

## \* 12345 ## \*

If the password is correct, the green LV and red LR LEDs on the keypad blink slowly for 2 s, while the buzzer sounds simultaneously.

## 13 Advanced function: Code masking

**WARNING! This feature is available for 6-digit user codes, to improve security when entering the code.**

The mask function allows the real code to be "hidden" among digits entered at random.

The code will be read from the 6 digits entered immediately before the (\*) star key.

E.g. user code 245672, channel enabled CH\_B.

294862...308236 245672 \* 057986...791964 \* B

**N.B:** by simply entering 245672 \* \* B, code masking can be bypassed.

## 14 Indicators

ERROR ALERT H85/TDR KEYPAD	POSSIBLE CAUSE
LR LED blinks rapidly 5 times  Intermittent buzzer	Incorrect password
	User coder not in memory
	User code or password entered with fewer than 3 digits or more than 6
	In code delete mode or change password mode: the codes entered do not match the confirmation codes.
	User code already stored.
	Failure to enter * after the user code.
Alternately blinking LV and LR LEDs	Digit entered incorrectly: # instead of *.
	User code entered incorrectly 5 times in a row. Keypad locks for 20 s.
LEDs LR and LV light simultaneously while using the keys.	Batteries flat. The keypad is disabled until the batteries are replaced.
	Batteries low. Replace the batteries as soon as possible.

 If the error alerts persist, contact Technical Service.

## 15 Cancelling a channel key from the receiver

Cancel a channel key of the H85/TDR keypad from the radio receiver as follows:

- Press and hold button P1 or P2 for the channel where the channel key you want to cancel is stored, for 4 seconds.
- The relative LED L1 or L2 lights and then starts to flash rapidly.
- Release button P1 or P2, the LED L1 or L2 continues to flash rapidly.
- During this period, enter the user coder stored previously (e.g. 34741) then press the asterisk key (\*) and the key/channel of the H85/TDR keypad you want to cancel (e.g. 1/A CH\_A).
- The LED L1 or L2 lights for 1 s.
- Repeat the procedure to cancel any other keys/channels from the radio receiver.

## 16 Replacing the batteries (fig. 6)

**WARNING! Always use batteries of the same brand. Always replace both batteries at the same time. Do not use an old battery with a new battery.**

To replace the batteries:

- Remove the side panels, then undo and remove the screws. Pull off the numerical keypad (fig. 6).
- Disconnect the battery connector (fig. 6 detail **A**) from the electronic circuit board of the wireless keypad.
- Undo the screw fastening the battery holder (detail **B**). Open the battery holder and replace the batteries, ensuring that they are fitted with the correct polarity as indicated (detail **C**).
- Do not use metal tools (such as tweezers), as this may cause short-circuiting.
- Close the battery holder and fasten to the keypad base with the screw (detail **B**).
- Connect the connector to the electronic circuit board (det. **A**).
- Refit the numerical keypad, fasten with the screws and refit the lateral panels correctly.

## 17 Initial testing

- Power on.
- Press the channel keys **1/A**, **4/B**, **7/C** and **\*/D** programmed in the memory of the receiver to check that the receiver outputs function correctly.
- The green LED **LV** should light briefly and the buzzer should sound when a user code is entered.
- If fixed mode is selected, check that the red LED **LR** flashes during transmission. If rolling mode is selected, check that the green LED **LV** flashes during transmission.

## 18 Maintenance

Perform scheduled maintenance every 6 months.

Check cleanliness and correct functioning.

If any dirt, moisture, insects or other foreign matter is present in the unit, disconnect from mains power and clean the board and the housing.

Repeat the initial installation test procedure after cleaning (chapter 16).

If any corrosion is found on the printed circuit board, evaluate if it is necessary to replace the board itself.

## 19 Disposal



This product may only be uninstalled by qualified technical personnel, following suitable procedures for removing the product correctly and safely. This product consists of numerous different materials. Some of these materials may be recycled, while others must be disposed of correctly at the specific recycling or waste management facilities indicated by local legislation applicable for this category of product.

Do not dispose of this product as domestic refuse. Observe local legislation for differentiated refuse collection, or hand the product over to the vendor when purchasing an equivalent new product.

Local legislation may stipulate severe fines for the incorrect disposal of this product. **Warning!** some parts of this product may contain substances that are harmful to the environment or dangerous and that may damage the environment or pose a risk to health if disposed of incorrectly.

## 20 Additional information and contact details

ROGER TECHNOLOGY is the exclusive owner of all rights regarding this publication.

ROGER TECHNOLOGY reserves the right to implement any modifications without prior notification. Copying or scanning of or any alterations to this document are prohibited without the express prior permission of ROGER TECHNOLOGY.

This document is in printed form; any updates are available in the restricted area of our website [www.rogertechnology.com/B2B](http://www.rogertechnology.com/B2B)

### ROGER TECHNOLOGY CUSTOMER SERVICE:

business hours: Monday to Friday  
8-12 am and 1.30-5.30 pm  
Telephone no: +39 041 5937023  
E-mail: [service@rogertechnology.it](mailto:service@rogertechnology.it)  
Skype: service\_rogertechnology

## 21 UE Declaration of Conformity (DoC)

---

I the undersigned, as acting legal representative of the manufacturer

**Roger Technology, Via Botticelli 8  
31020 Bonisiolo di Mogliano V.to (TV)**

Hereby DECLARE that the appliance described hereafter:

Description: Wireless keypad for remote control.

Model: **H85/TDR**

Is conformant with the legal requisites of the following directives:

- RED directive 2014/53/UE
- RoHS directive 2011/65/UE

and that all the standards and/or technical requirements indicated as follows have been applied:

ETSI EN 300 220-2 V3.1.1

ETSI EN 300 220-1 V3.1.1

ETSI EN 301 489-1 V1.9.2

ETSI EN 301 489-3 V2.1.1

EN 62479:2010

EN 60950-1:2006 + A11:2009 + A1:2010 + A12:2011 + AC:2011

Last two figures of year in which marking was applied **CE 17**.

Place: Mogliano V.to

Date: 10-05-2017

Signature 



**ROGER TECHNOLOGY**  
Via S. Botticelli 8 • 31021 Bonisiolo di Mogliano Veneto (TV) • ITALIA  
P.IVA 01612340263 • Tel. +39 041.5937023 • Fax. +39 041.5937024  
info@rogertechnology.com • [www.rogertechnology.com](http://www.rogertechnology.com)