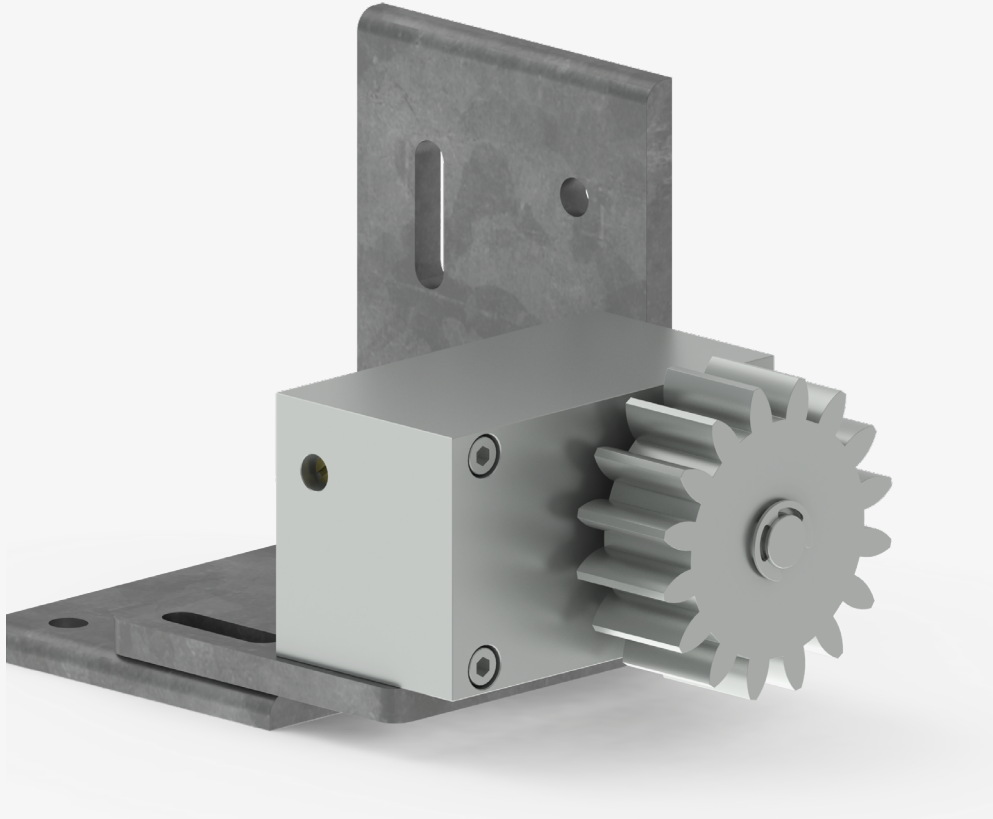




BORDERING PERFECTION



FOR CONTINUOUS DAMPING OF INCLINED GATES

# RADIAL DAMPER

Radial dampers are highly recommended for gates on steep slopes to regulate speed and for safety. It smoothens the operation of the gate motor by removing shock loading from it and is also suitable for manually driven gates on a slope.

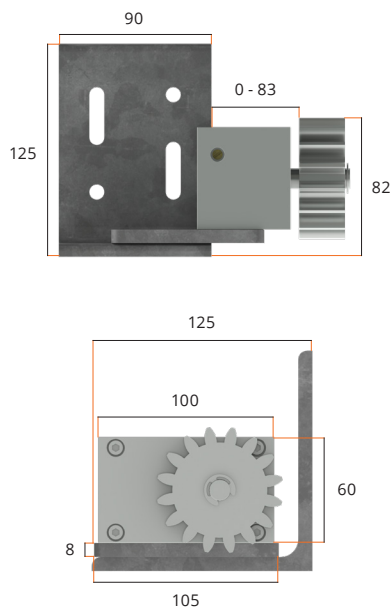


### DAMPER INFORMATION

- Recommended for gates on steep slopes
- Suits standard gear rack
- Rated to 7Nm of torque (170kg gate on a 8° slope)
- Reversible
- Adjustable damping force using screw on side of damper
- Easy installation (Security screwed to gate posts with included post brackets)
- Adjustable location of unit using slotted holes
- Machined aluminium body

Gradient	Angle/°	Max Weight
1/23	2.5	540kg
1/19	3.0	450kg
1/16	3.5	390kg
1/14	4.0	340kg
1/13	4.5	300kg
1/11	5.0	270kg
1/10	5.5	250kg
1/9.5	6.0	220kg
1/9	6.5	210kg
1/8	7.0	200kg
1/7.5	7.5	180kg
1/7	8.0	170kg

### DIMENSIONS



09 427 4980  
 crew@edgesmith.global  
 www.edgesmith.global

**North Auckland Branch**  
 20 Anvil Road, Silverdale  
 Auckland 0932

**South Auckland Branch**  
 20 Kerwyn Ave, East Tamaki  
 Auckland 2013