

Pentagon shape-Hex tools won't fit!

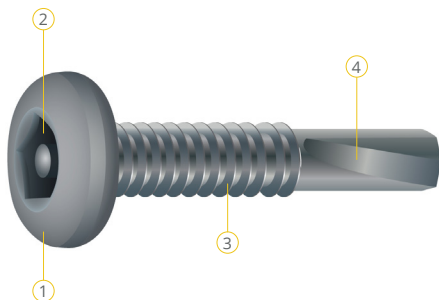
1. Pan head shape.
2. Pin in recess to resist tampering.
3. 5 Sided Pentagon recess to stop all standard driver tool shapes, only the registered Pentaforce driver tools can be used for installation and removal.
4. Self-drilling tip for effective pre-drilling maximises work efficiency and down time.
5. Stocked in Galvanised steel. Other can be made to order, subject to minimum order quantities.

Insert Bit

Can be installed and removed by this tool.

PAN HEAD SELF DRILLING SCREWS

Code	Length	Drive Size	Head Dia	Gauge	Finish
PFP-SD1414-G	25mm	PFD2	12.8mm	14g	Galvanised
PFP-SD1414-GPB	25mm	PFD2	12.8mm	14g	PC Black



Pentagon shape-Hex tools won't fit!

1. Pan head shape.
2. 5 Sided Pentagon recess to stop all standard driver tool shapes, only the registered Pentaforce driver tools can be used for installation and removal.
3. Series 500 Drilling tip for heavy duty steel drilling.
4. Stocked in Galvanised steel. Other can be made to order, subject to minimum order quantities.

Insert Bit

Can be installed and removed by this tool.

P500 EXTENDED POINT SELF DRILLING SCREWS

Code	Length	Drive Size	Head Dia	Gauge	Material
PFP-SD500-12H	32mm	PFD2	12.8mm	12g	Galvanised



INSERT BIT

Code

PFD2-B

LEVEL 2 :

High Security

