



ELECTROMAGNETIC LOCK GL-V1200L

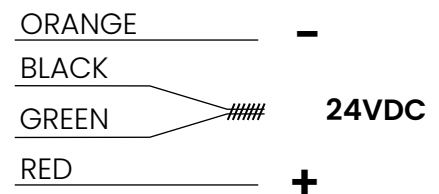
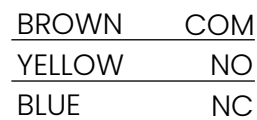
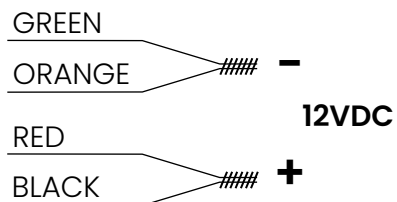
Installation Instructions



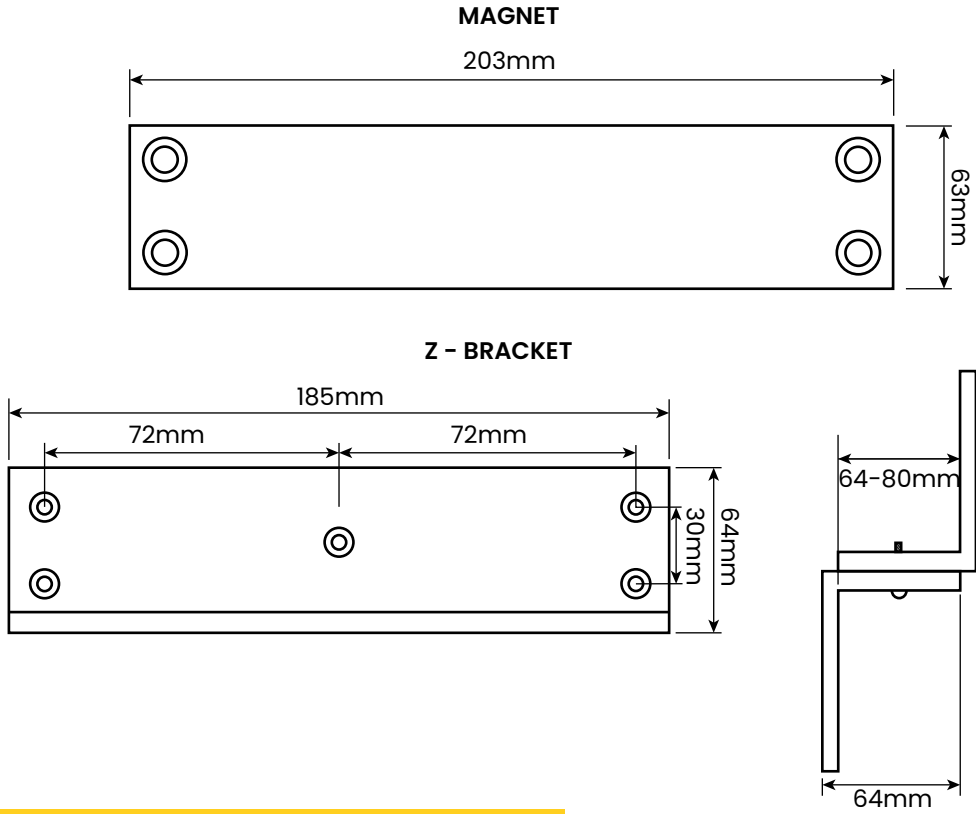
SPECIFICATIONS

INPUT VOLTAGE	CURRENT DRAW	HOLDING FORCE	MAGNET DIMENSIONS
12 - 24VDC	12V - 370mA 24V - 185mA	650kg	203x63x42mm

ELECTRICAL CONNECTIONS



FIXING DIMENSIONS



RECOMMENDED WIRING DIAGRAM

