



# ELECTROMAGNETIC LOCK GL-180

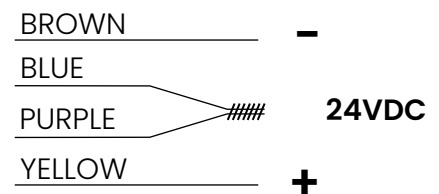
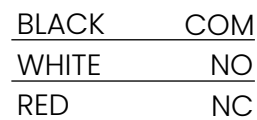
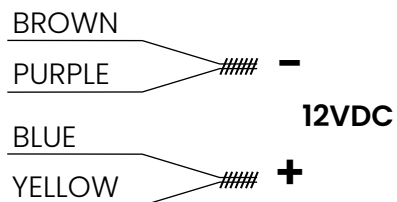
## Installation Instructions



### SPECIFICATIONS

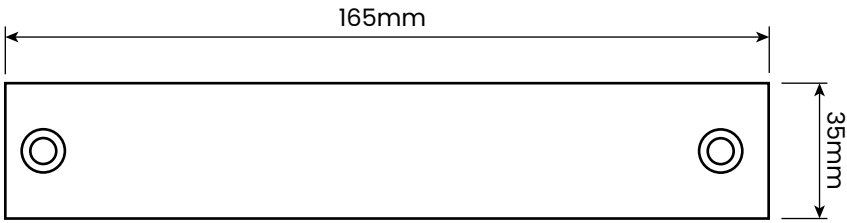
INPUT VOLTAGE	CURRENT DRAW	HOLDING FORCE	MAGNET DIMENSIONS	STRIKE PLATE DIMENSIONS
12 - 24VDC	12V - 370mA 24V - 185mA	180kg	164x35x26mm	130x32x10mm

### ELECTRICAL CONNECTIONS

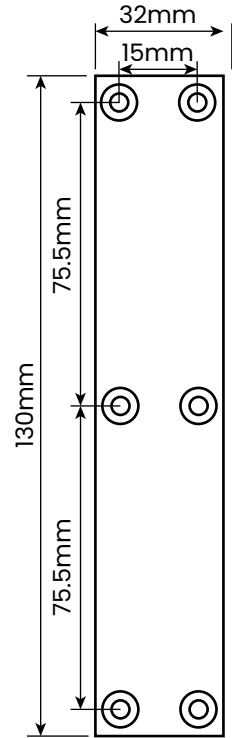


**FIXING DIMENSIONS**

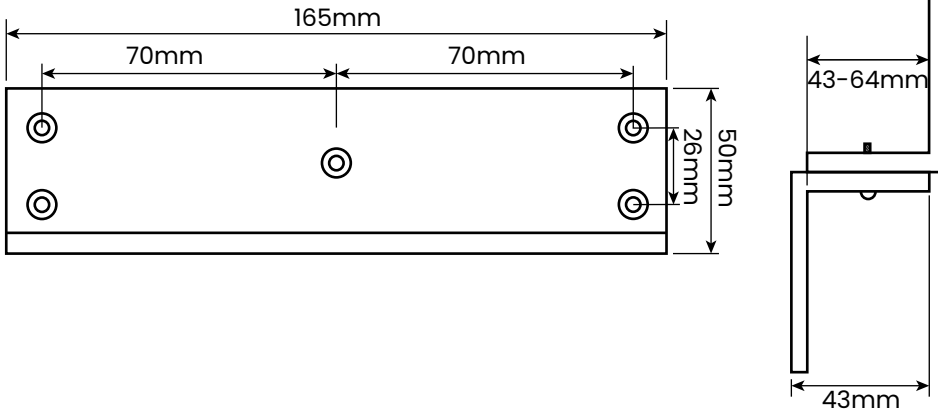
**MAGNET**



**STRIKE PLATE**



**Z - BRACKET**



**RECOMMENDED WIRING DIAGRAM**

