

THE VERVE

Horizontal Blade Panel

PRODUCT CODE :

VERVE

MATERIAL :

Aluminium
Louvre blade 120 x 20 mm
Equal Angle 50 x 3 mm
Unequal Angle 50 x 25 x 3 mm

FINISH :

Powder Coated

PANEL WEIGHT :

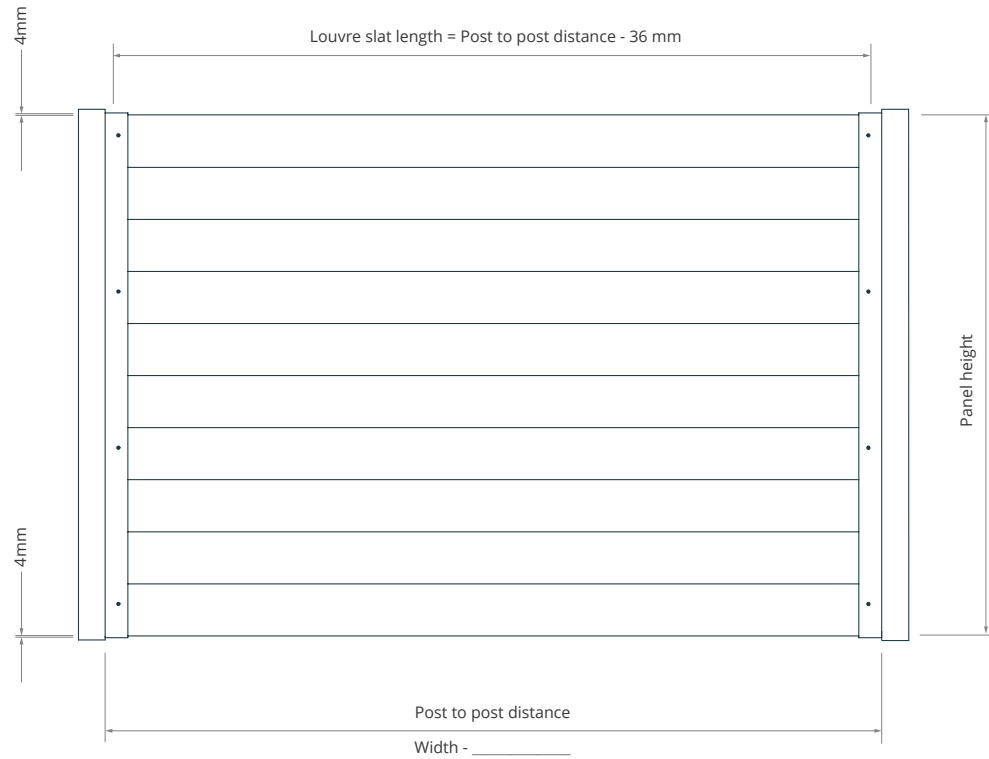
Variable

FIXINGS SUPPLIED :

Tek Screws
8ga. x 19 mm Self Drilling Screw

RECOMMENDED POST :

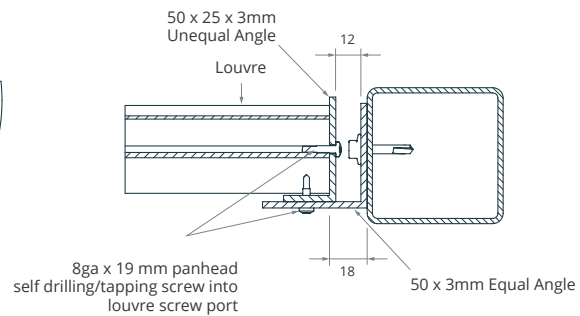
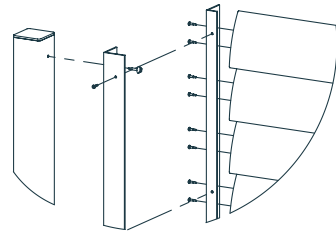
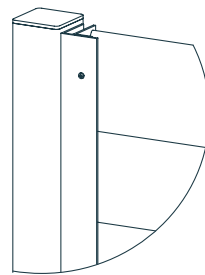
SHS 65



LOUVRE GUIDE

No. of Blades	Height (mm)	Length of Angle
5	571	579
6	685	693
7	799	807
8	913	921
9	1027	1035
10	1141	1149
11	1255	1263
12	1369	1377
13	1483	1491
14	1597	1605
15	1711	1719

RAIL BRACKET



INGROUND POST

