

**THE KINKS**

Folded Rigid Wire Panel

**PRODUCT CODE :**

FM-1.3

**MATERIAL :**

Steel Wire  
Horizontal: 6.5mm  
Vertical: 7.5mm

**FINISH :**

Hot Dip Galvanised

**PANEL WEIGHT :**

25 kg

**FIXINGS SUPPLIED :**

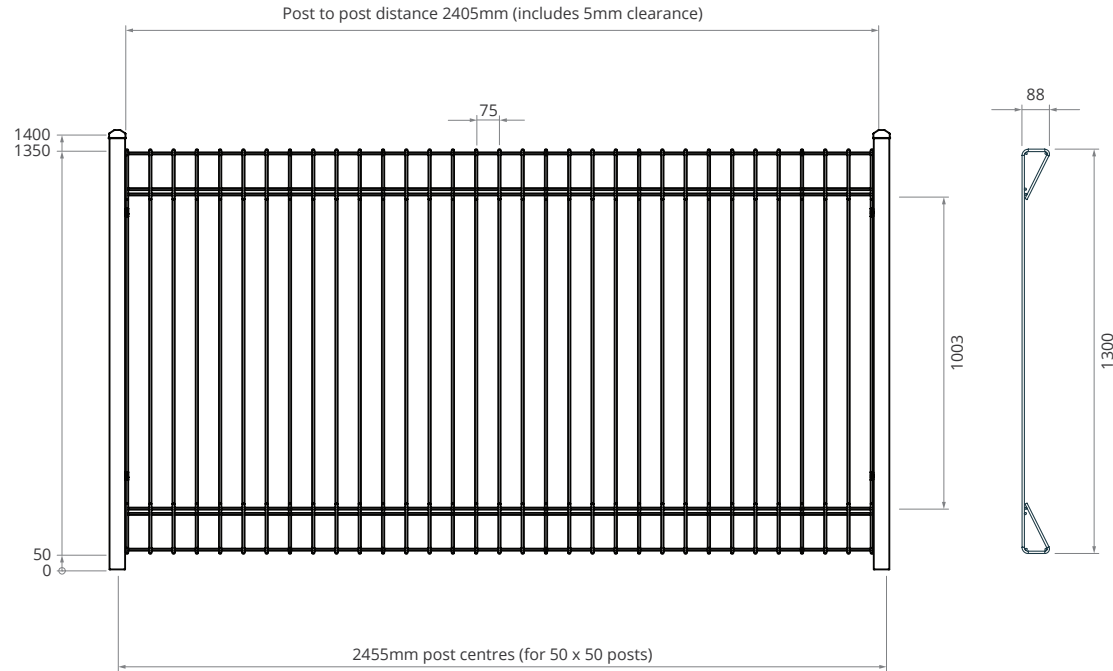
Mesh Clips  
Tek Screws

**RECOMMENDED POST :**

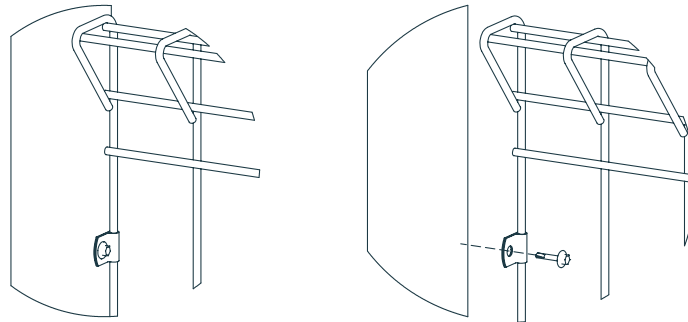
Fence Inground 2.0mH  
50 x 1.5mm

Fence Flanged 1.4mH

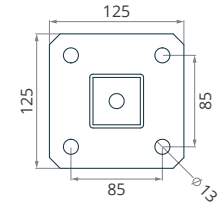
50 x 1.5mm



**RAIL BRACKET**



**FLANGE POST**



**Post Size:** SHS 50

**Flange Thickness:** 8mm

**FIXINGS**

M12x75 sleeve anchor

**INGROUND POST**

