

THE FINNS

Vertically Finned Panel

PRODUCT CODE :

FINN-1.5

MATERIAL :

Aluminium
Pickets 65 x 16 x 1.2mm
Rails 40 x 40 x 2.0mm

FINISH :

Powder Coated

PANEL WEIGHT :

17 kg

FIXINGS SUPPLIED :

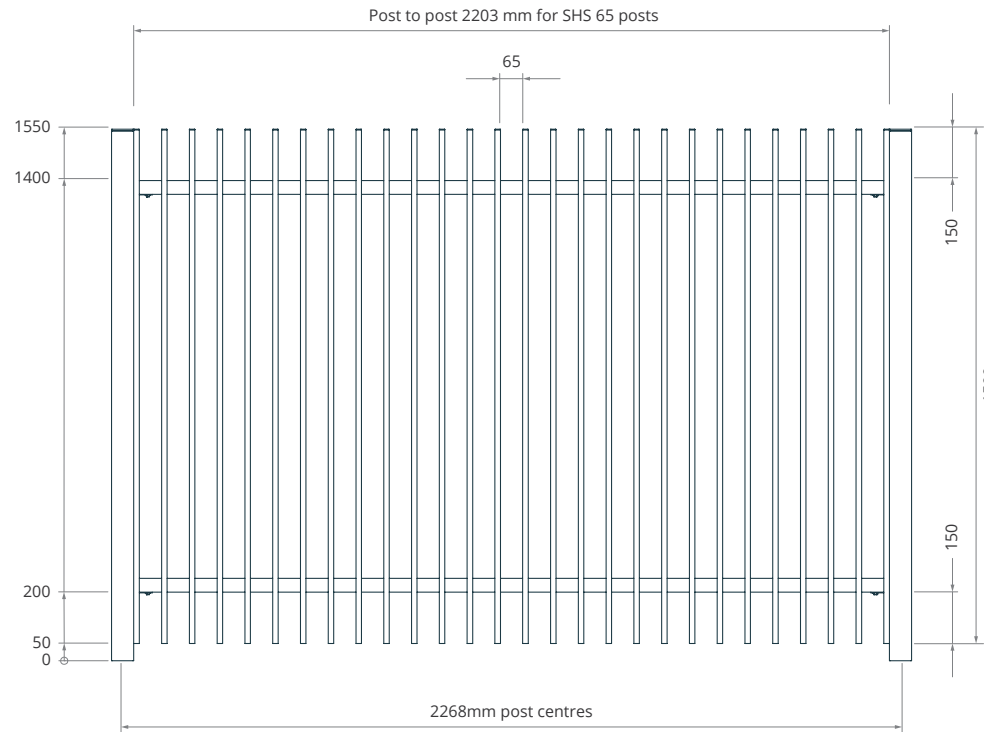
Brackets and Tek Screws

RECOMMENDED POST :

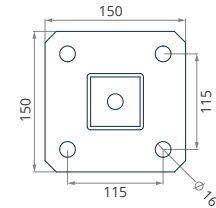
Fence Inground 2.1mH
65 x 2.5mm SHS Alii

Fence Flanged 1.6mH

65 x 2.5mm SHS Alii



FLANGE POST



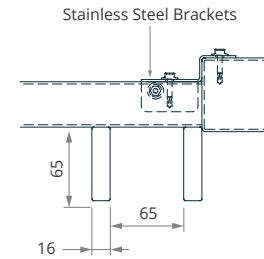
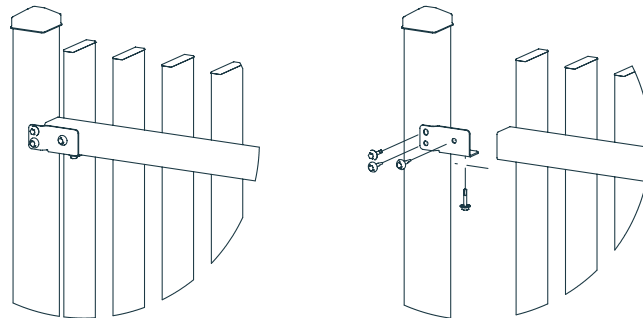
Post Size: SHS 65

Flange Thickness: 10mm

FIXINGS

On Concrete : M12x75 sleeve anchor
On Structural Timber : M12x75 coach bolt

RAIL BRACKET



INGROUND POST

