

**THE CHIEFS**

HDG Security Panel - **Spear Top**

**PRODUCT CODE :**

CHF-2.1

**MATERIAL :**

Black Steel  
Pickets: 16mm Tube x 1.5mm  
Rails: SHS 40 x 1.6 mm

**FINISH :**

Hot Dip Galvanised

**PANEL WEIGHT :**

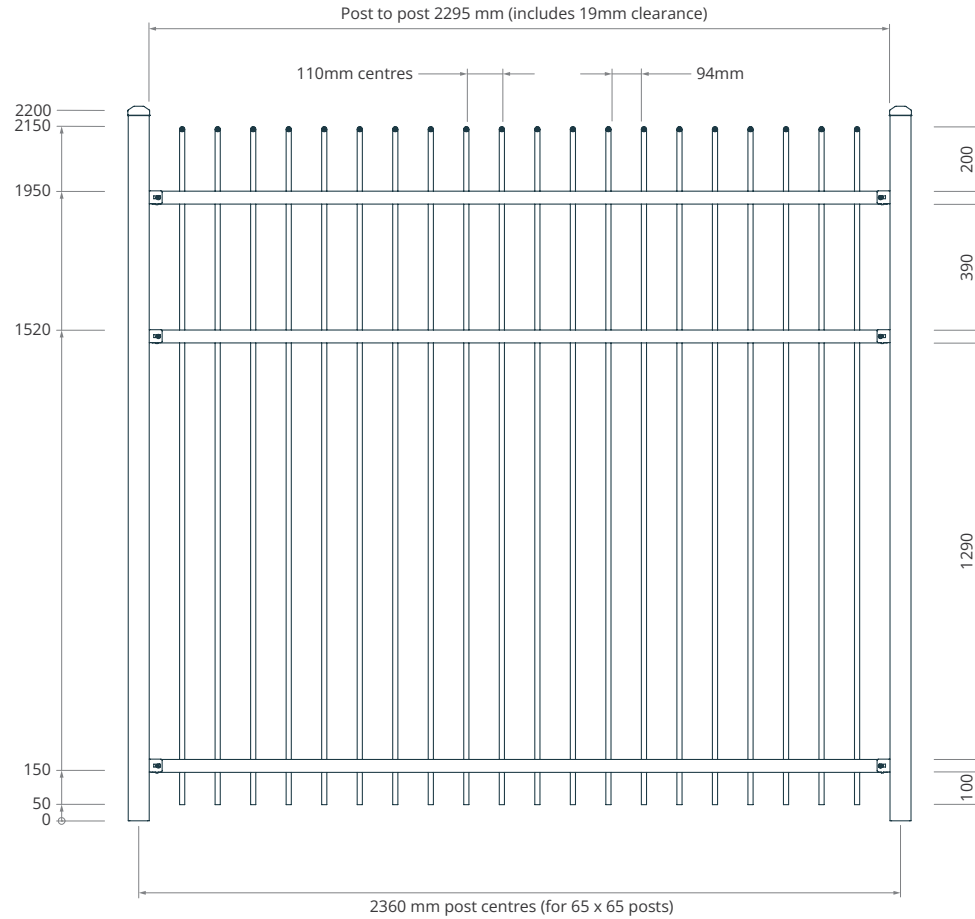
35.1 kg

**FIXINGS SUPPLIED :**

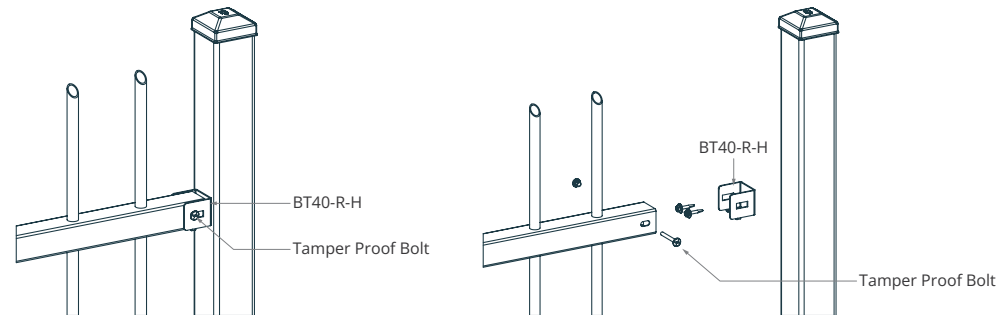
Brackets  
Tamperproof Bolts  
Tek Screws

**RECOMMENDED POST :**

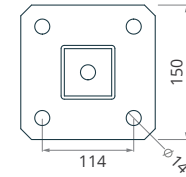
Fence Inground  
2.9 mH SHS 65 x 2.5 mm  
  
Fence Flanged  
2.2 mH SHS 65 x 2.5 mm



**BRACKET**



**FLANGE POST**



Post Size: SHS 65

Flange Thickness: 10mm

**FIXINGS**

M12x75 sleeve anchor

**INGROUND POST**

