

THE OASIS



Aluminium Privacy Screen

Turn your boring block wall into a Wonderwall. The Oasis slat panel is the best choice for people who want privacy screening with modern design aesthetic. Once you've made the switch to aluminium slats you can never go back to timber. It doesn't warp or twist and won't need painting for years.

The OASIS horizontal slat panel system is simple, elegant and quick to install.

Edgesmith now stocks competitively priced standard panels that you can cut down or stack-up to make a privacy screen to your needs. Panels slide inside the F-profile to hide the joins.

Design Details

Great for Installers

Use multiple panels to get the right height. Faster install – get onto the next job faster and make more money. No need to join – just stack them inside the F-profile, trim slats off to give a lower height.

Available Ex-stock in black

Great for the Customer

- Lasts longer than timber
- No warping or fading
- Smooth finish and clean look



Multiple Applications

- Privacy screening around services and bins
- Infill panels on block walls
- Privacy fence panels
- Infill panels on balustrade
- Slide, Swing and Cantilever Gates and custom panels also available made and priced to order.



Specifications

Width: 1500mm (fits 1520 gap)

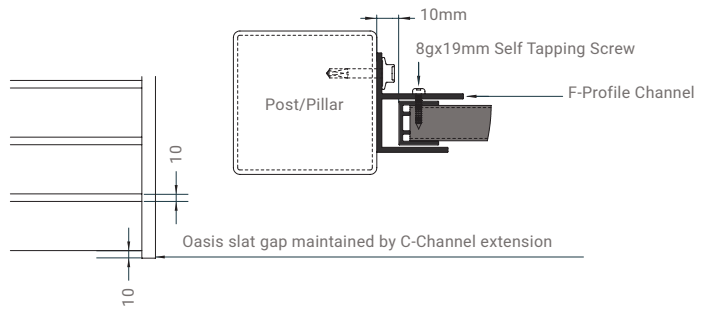
Height: 965mm (975 including 10mm bottom gap)

Slats: Aluminium 65 x 16mm RHS with 10mm gaps

*Supplied with F-profile

How it works

Buy single or multiple standard slat panels and stack them inside the F-profile which hides joints and takes up installation tolerances. Non-standard heights or raked bottom panels can also be made-to-order.



Fence height can be adjusted by cutting desired number of slats off panel

