

EDGESMITH

PERIMETER PERFECTION



FENCE + GATE HARDWARE

New Zealand's most comprehensive range of high quality fence and gate hardware from the world's leading manufacturers.



PERIMETER PERFECTION

EDGE

[noun] the outside limit of an area, [verb] provide with a border or edge.

SMITH

[suffix] denoting a person skilled in creating something with a specific material.

We are creating a movement where perimeter architecture matters, where fencesmiths are respected and admired, and the installation of everything that goes around the edges of a property is an integral part of the design, not an afterthought.

Edgesmith..... Perimeter Perfection.

Edgesmith Crew



All prices, specs and manuals available on our website.
www.edgesmith.co.nz

EDGESMITH WEBSITE



The Edgesmith website is where it all happens. We can only update our brochure every couple of years. But the website will always be current.

Best Prices - Your pricing and discounts when you logged-in.

Subscribe - Receive our latest updates about our products and promotions.



Scan Me!

Use your phone's camera to scan the QR codes to check your prices on our website. Be sure you're logged in.

www.edgesmith.co.nz

OUR BRANDS

Edgesmith pride themselves in curating a fantastic range of high-quality fence and gate hardware that is based around the needs of the New Zealand building industry. Our products span split fittings, sockets and gudgeons for chainlink fence and gate, right through to precisely engineered gate locks and cantilever gate hardware imported from Europe. If you don't find what you need then talk to our team about designing or sourcing the right products for you!



TABLE OF CONTENTS

Introduction		pg 2
Website		pg 3
Our Brands		pg 4
FenceLab	Fence and Gate Designs	pg 6
Roger Automation	Gate Automation	pg 34
Swing Gate Hardware	Fence and Gate Hardware	pg 53
Sliding Gate Hardware	Fence and Gate Hardware	pg 67
Cantilever Gate Hardware	Fence and Gate Hardware	pg 77
Caps + Flanges	Fence and Gate Hardware	pg 84
Chainlink + Rural	Fence and Gate Hardware	pg 88
High Security	Fence and Gate Hardware	pg 100
Fasteners	Fence and Gate Hardware	pg 102
JVA Electric Fencing	Electric Fence	pg 104
Eltrak	Sliding Door System	pg 116
MasterKlamp	Modular Pipe Clamp and Handrail	pg 122
Our Branches	...	pg 131
Contact	...	pg 131

Please don't hesitate to contact us with any queries, issues or ideas you'd like to discuss.
We're more than happy to help.

Call: 09 427 4980 | Email: crew@edgesmith.co.nz

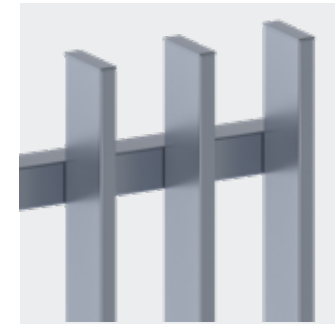




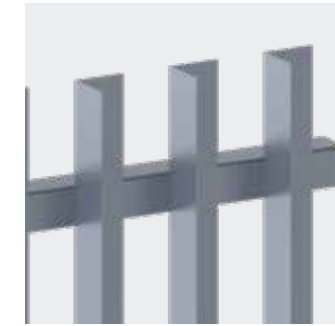
PERIMETER ARCHITECTURE

FenceLab is where the elements of great design are analysed, balanced and fused together to create fence and gate architecture that meets the essential equation of style, security and safety.

PRICES | SPECIFICATIONS | DOCUMENTATION
ALL AVAILABLE ON OUR WEBSITE



THE FINNS
Architectural Aluminium Blades
Custom Size Made To Order
Page. 8-9



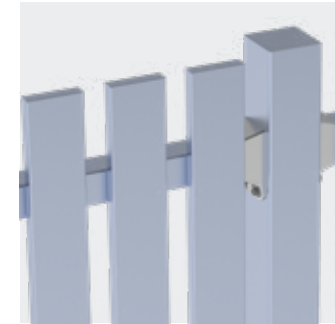
THE NICKS
Aluminium Angle Picket Fence Panel
Page. 10-11



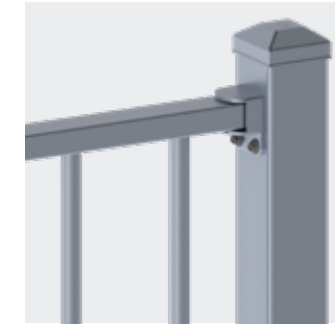
THE OASIS
Aluminium Privacy Screen
Page. 12-13



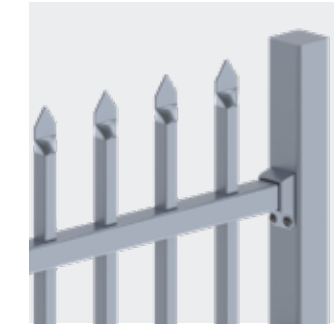
THE VERVE
Horizontal Louvre Blade
Page. 14-15



THE STRAITS
Traditional Picket Aluminium
Page. 16-17



THE ORBISON
Economic Tubular Aluminium
1.0m, 1.2m, 1.5m
Page. 18-19



THE MERCURY
Raking Aluminium
1.2m, 1.5m, 1.8m (Flat Top)
1.8m, 2.1m (Spear Top)
Page. 20-21



THE MERCURY BALUSTRADE
Raking Aluminium
1m, 1.2m
Page. 22-23



THE CHIEFS
HDG Tubular Steel
Page. 24-25



THE KINKS
Rigid Wire Fold-top
Page. 26-27



THE BOSS
Raking Steel
Page. 28-29



THE METALLICA
358 Anti-climb
Page. 30-31



PRICES | SPECIFICATIONS | DOCUMENTATION
ALL AVAILABLE ON OUR WEBSITE





THE FINNS

Architectural Aluminium Fence Panel

A modern architectural styled panel with striking vertical pickets closely spaced to accentuate the vertical lines of the house. Fence panels, balustrade panels and a matching series of gates compliment the range. The design is Pool safety compliant at 1.2m high. Custom made balustrade panels with a 300mm plate to secure the panel to the deck joists are fully compliant with council regulations and come with a producer statement to verify it.



THE FINNS

Balustrade

Finns Balustrade panels don't need posts. They are attached to the deck joist or balcony slab by bolting through the large plate that forms the bottom of the panel. The design is also pool compliant for balustrade around your deck.

Specifications

Rails: Aluminium 40 x 40 x 2.0mm

Pickets: Aluminium 65 x 16 x 1.2mm with 65mm gaps

***Posts:** Aluminium 65 x 65mm

*Recommended



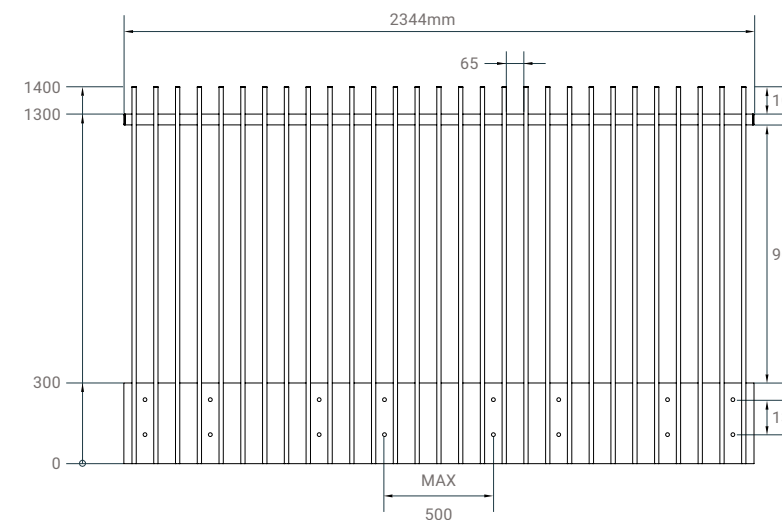
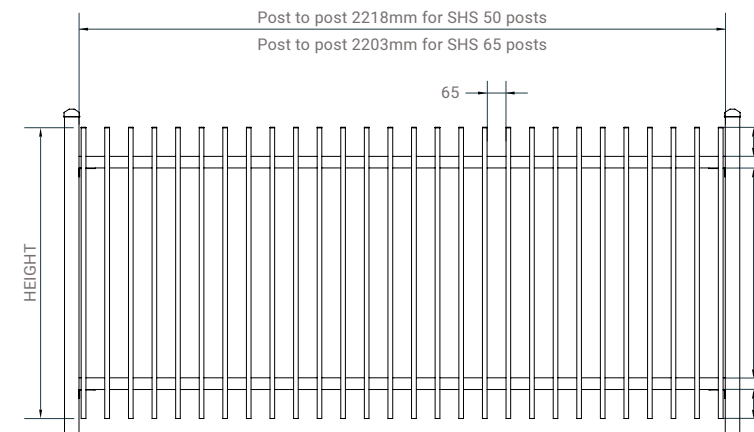
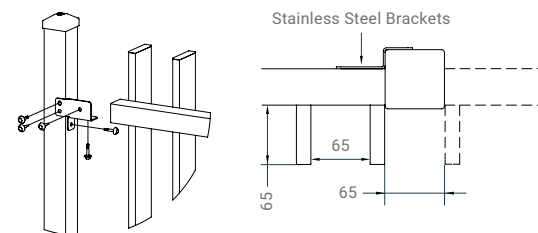
Great for the Customer

- Long lasting and low maintenance
- Lasts longer than timber
- No warping or fading
- Smooth finish and clean look

Multiple Applications

- Infill panels on block walls
- Privacy fence panels
- Infill panels on balustrade
- Slide, Swing and Cantilever Gates and custom panels also available made and priced to order.

Rail Brackets



Dimensions

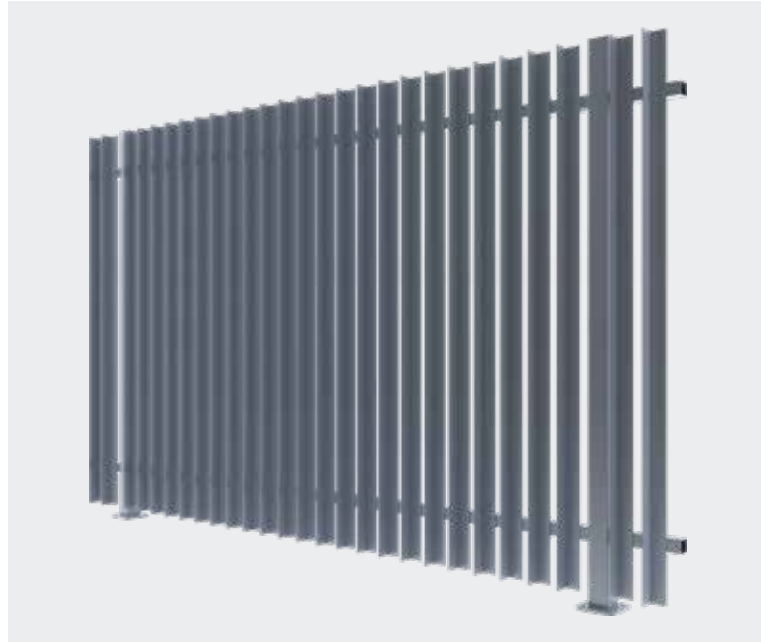
Height	A	B
1.0m	100mm	720mm
1.2m	100mm	920mm
1.5m	150mm	1120mm
1.8m	200mm	1320mm

Can be used as a 1000mm high balustrade panel at 1394mm wide (with 65 SHS posts)

Balustrade Panel

- Maximum width shown
- No posts required
- 300mm x 6mm Plate for face fixing to deck joist.





THE NICKS

Aluminium Angle Picket Fence Panel

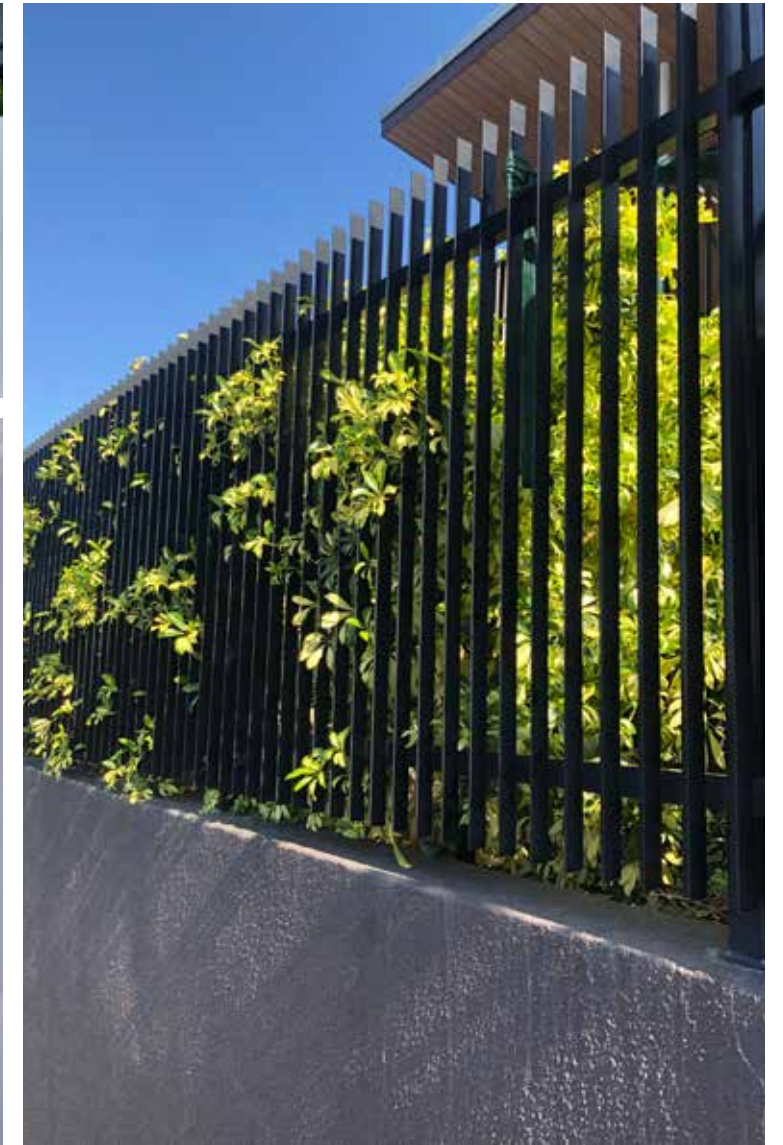
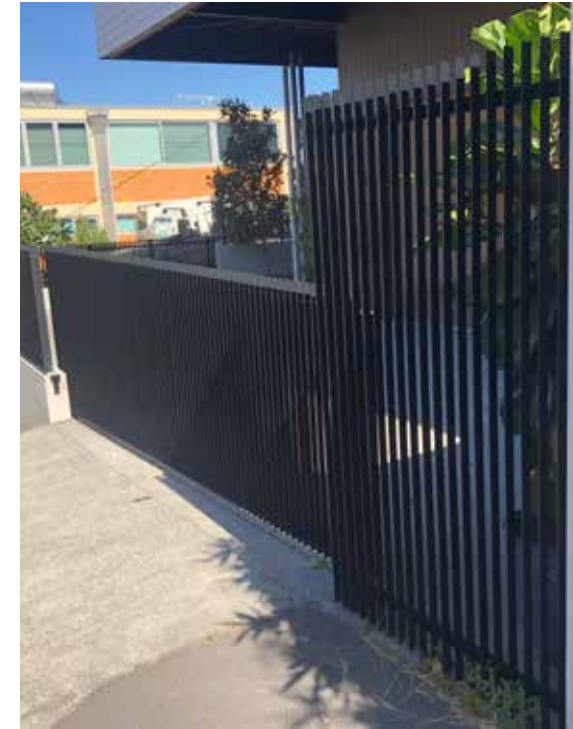
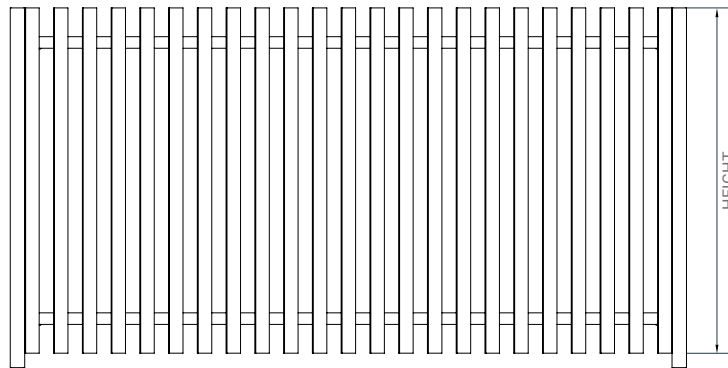
A modern architectural styled panel with striking vertical angle picket closely spaced to accentuate the vertical lines of the house. Fence panels, balustrade panels and a matching series of gates compliment the range.

Specifications

- Rails:** Aluminium 40x40x2mm SHS
 - Pickets:** Aluminium 25x25x3mm equal angle (for up to 1.2m high)
 - *Posts:** Aluminium 65 x 65mm
- *Recommended

Dimensions

Height	B
1.0m	100mm
1.2m	100mm
1.5m	150mm
1.8m	200mm



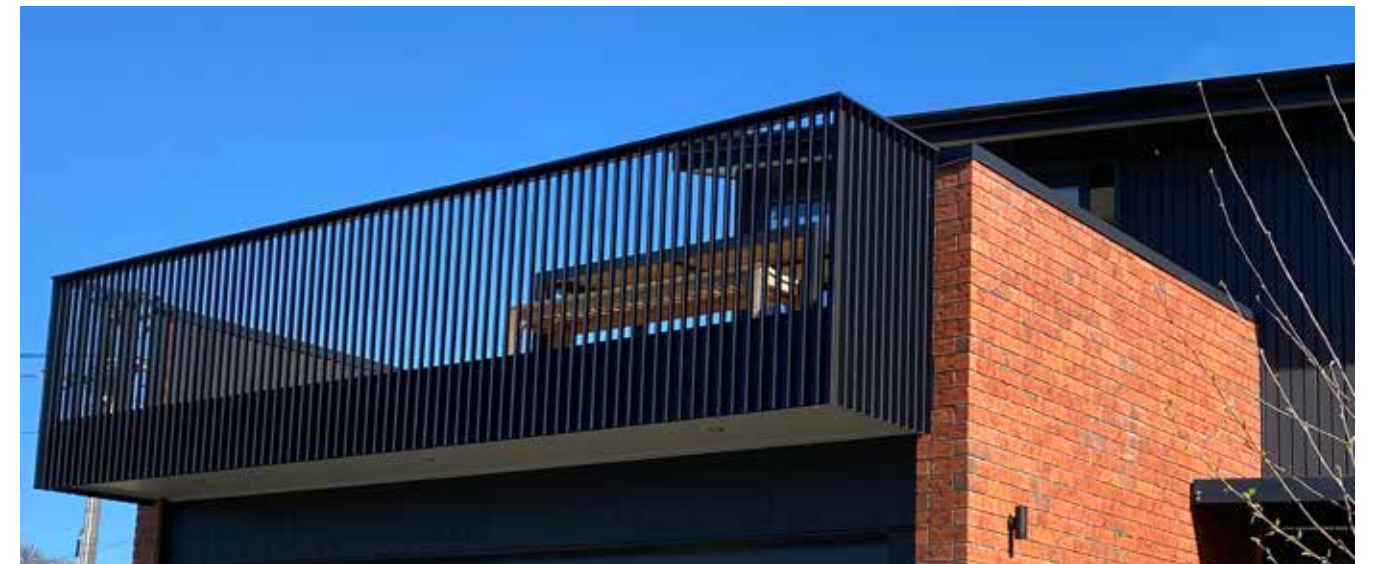
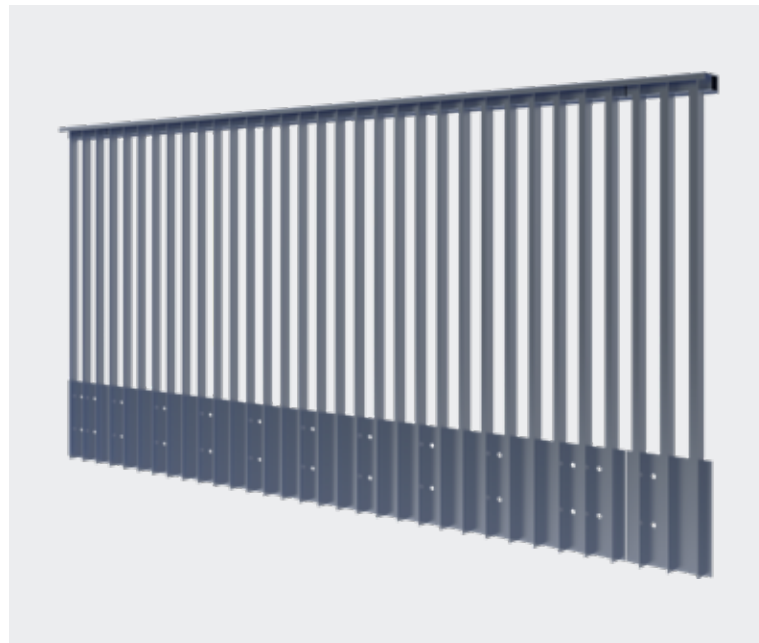
THE NICKS

Balustrade

Postless balustrade panels are available in the Nicks Style. They bolt directly to the deck joist or concrete slab.

Matching Gates

Matching pedestrian and driveway gates can be made to order to suit the width and height of your fence. Attention to detail such as the choice of hinges, latches and fence brackets mean that the gates blend into the fenceline when used with 65 SHS posts.



PRICES | SPECIFICATIONS | DOCUMENTATION
ALL AVAILABLE ON OUR WEBSITE



PRICES | SPECIFICATIONS | DOCUMENTATION
ALL AVAILABLE ON OUR WEBSITE





THE OASIS

Aluminium Privacy Screen

Turn your boring block wall into a Wonderwall. The Oasis slat panel is the best choice for people who want privacy screening with modern design aesthetic. Once you've made the switch to aluminium slats you can never go back to timber. It doesn't warp or twist and won't need painting for years.

The OASIS horizontal slat panel system is simple, elegant and quick to install.

Specifications

Width:	1500mm (fits 1520 gap)
Height:	965mm (975 including 10mm bottom gap)
Slats:	Aluminium 65 x 16mm RHS with 10mm gaps

*Supplied with F-profile

Great for the Customer

- Long lasting and low maintenance
- Lasts longer than timber
- No warping or fading
- Smooth finish and clean look

Applications

- Privacy screening around services and bins
- Infill panels on block walls
- Privacy fence panels
- Infill panels on balustrade
- Slide, Swing and Cantilever Gates and custom panels also available made and priced to order.

Great for Installers

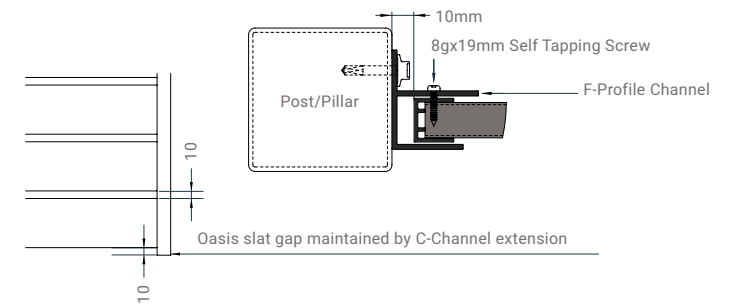
Use multiple panels to get the right height. Faster install – get onto the next job faster and make more money. No need to join – just stack them inside the F-profile, trim slats off to give a lower height.

Available Ex-stock in black



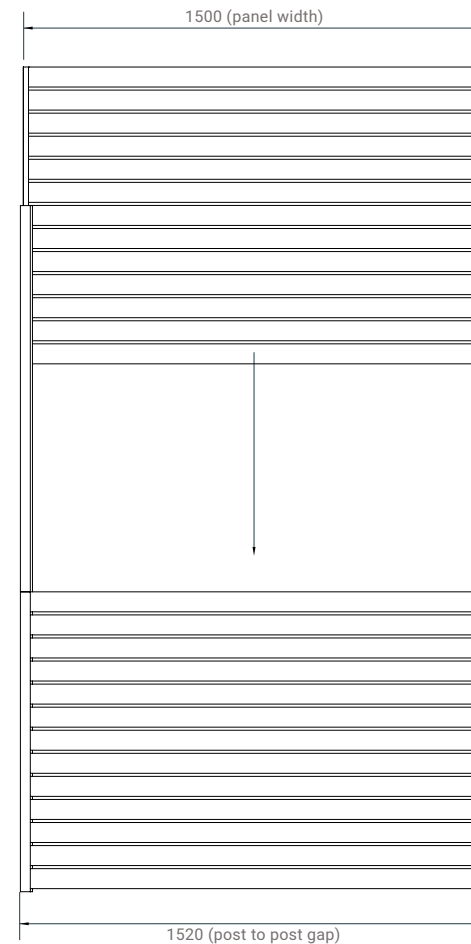
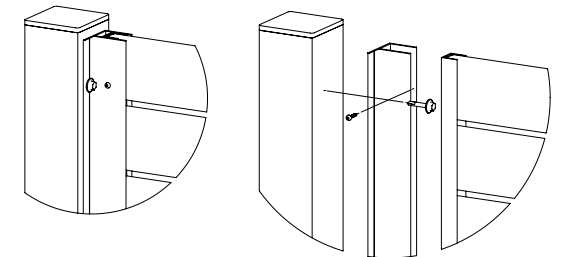
How it works

Buy single or multiple standard slat panels and stack them inside the F-profile which hides joints and takes up installation tolerances. Non-standard heights or raked bottom panels can also be made-to-order.



Oasis slat gap maintained by C-Channel extension

Fence height can be adjusted by cutting desired number of slats off panel





THE VERVE

Frameless Louvre Blade Panels

The Verve is a modern frameless louvre blade panel that looks fantastic between block columns or between posts. It can also be used as infill on gates with negative details.

Verve Panels are all custom made in our Silverdale factory and can be supplied with matching posts. Pedestrian gates and driveway gates will be made to the size of your driveway in our fabrication department. These can be supplied with suitable gate motors for a qualified technician to install. Typical lead times are 2-3 weeks.

Specifications

- Blades:** Aluminium 120 x 20 x 2.0mm
 - Channel:** Aluminium 50 x 3mm equal angle
 - *Posts:** Aluminium 65x65mm or Block wall
- *Recommended

Frameless and floating

Verve panels attach into an equal angle that is fixed to the post or column. This negative detail hides the ends of the panel and any unsightly fixings. The panels appear to float in space to create an elegant perimeter for your house.

Great for the Customer

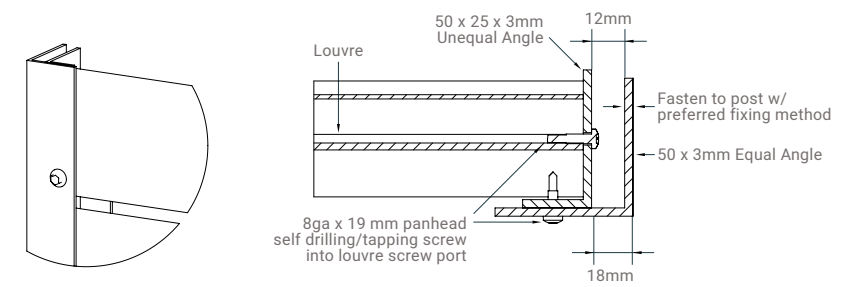
- Lasts longer than timber
- No warping or fading
- Smooth finish and clean look

Applications

- Infill panels on block walls
- Privacy fence panels
- Slide, Swing and Cantilever Gates and custom panels also available made and priced to order.



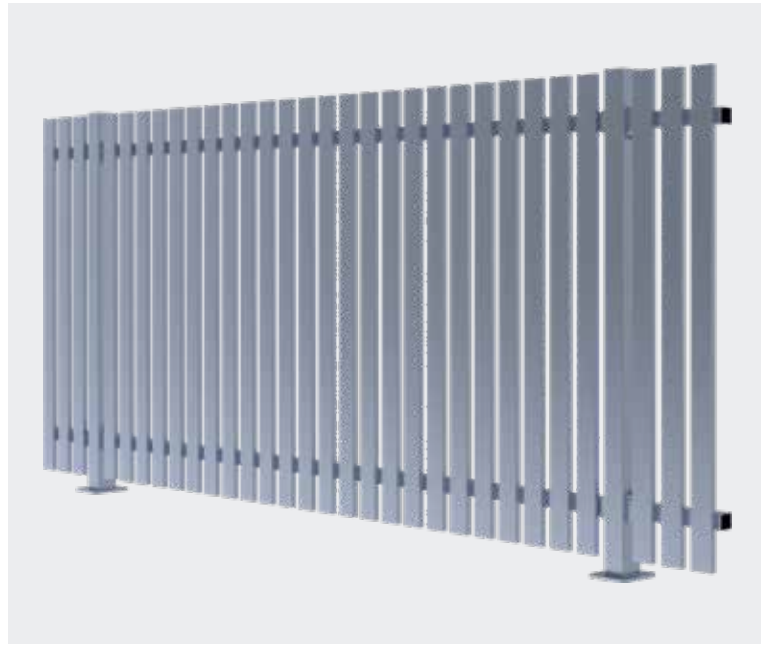
Details



Dimensions

No. of Blades	Height
5	570mm
6	684mm
7	798mm
8	912mm
9	1026mm
10	1140mm
11	1254mm
12	1358mm
13	1482mm
14	1596mm
15	1710mm





THE STRAITS

Aluminium Picket Fence

A traditional looking picket fence that is fast to install and doesn't need painting!

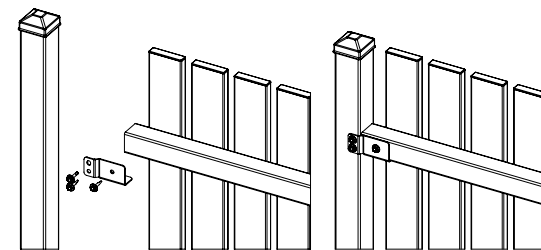
Timber pickets are slow to install because you have to cut and nail them on site. And then they need to be painted. The Straits replicates this traditional look with a fully welded and powder coated aluminium fence panel system.

It's fast to install and fence panels together with a matching series of gates compliment the range.

Specifications

- Rails:** Aluminium 40 x 40 x 2mm
- Pickets:** Aluminium 65 x 16 x 1.2mm
- Caps:** Cast Aluminium Picket Top Caps
- *Posts:** Aluminium or Steel 65mm SHS

*Recommended

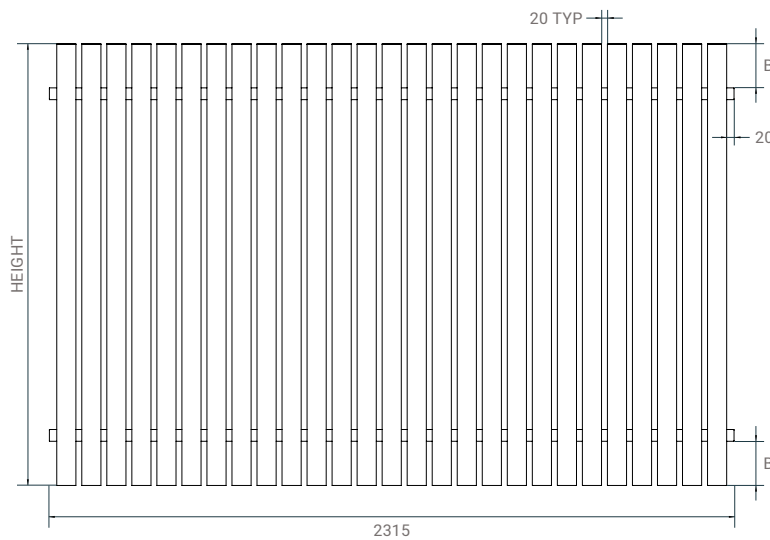


Dimensions

Height	B
1.0m	100mm
1.2m	100mm
1.5m	150mm
1.8m	200mm

Matching Gates

Matching pedestrian and driveway gates can be made to order to suit the width and height of your fence. Attention to detail such as the choice of hinges, latches and fence brackets mean that the gates blend into the fenceline when used with 65 SHS posts.



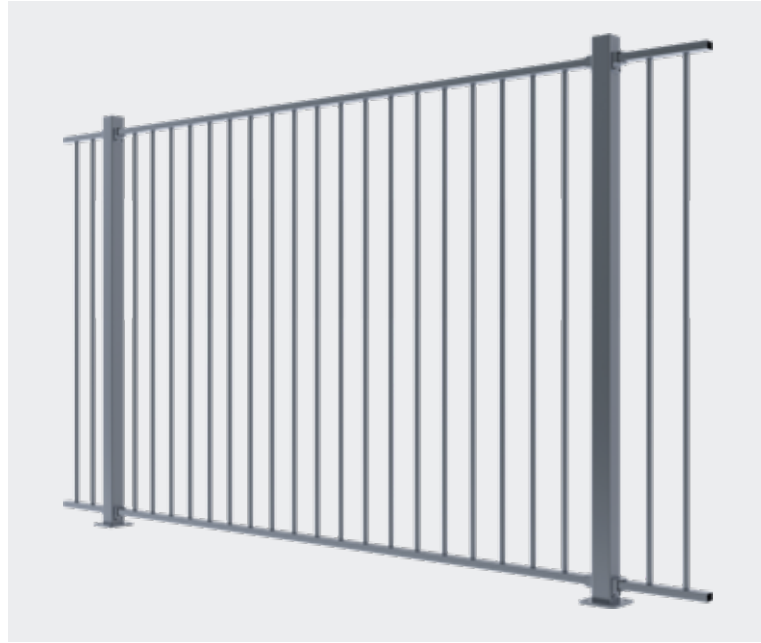
Great for the Customer

- Lasts longer than timber
- No warping or fading
- Smooth finish and clean look

Applications

- Landscape Fence
- Privacy Fence
- Infill panels on block wall





THE ORBISON

Economic Tubular Aluminium Panel

Simple clean lines and lightweight construction make The Orbison the most economical choice for residential applications. The design is Pool safety compliant at 1.2m high and Balustrade compliant at 1.0m or 1.2m when installed at 1.2m post centers.

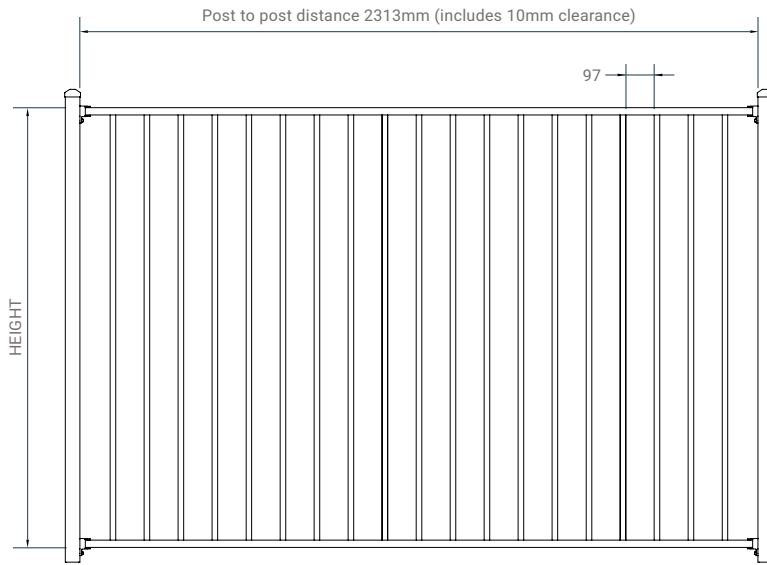
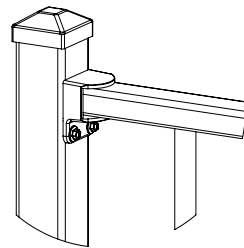
Orbison Panels come satin black powder coated as standard and can be supplied with matching posts - all ex-stock. Pedestrian gates are ex-stock too but your driveway gates will be made to the size of your driveway in our fabrication department. Typical lead times are 1-2 weeks.

Specifications

- Rails:** 38 x 25 x 1.5mm rectangular hollow section alu
- Pickets:** 19 x 1.2mm circular hollow section alu
- Fixings:** Supplied with alu tube brackets and tek screws

Dimensions

Height	
1.0m	1000mm
1.2m	1200mm
1.5m	1500mm



Great for the Customer

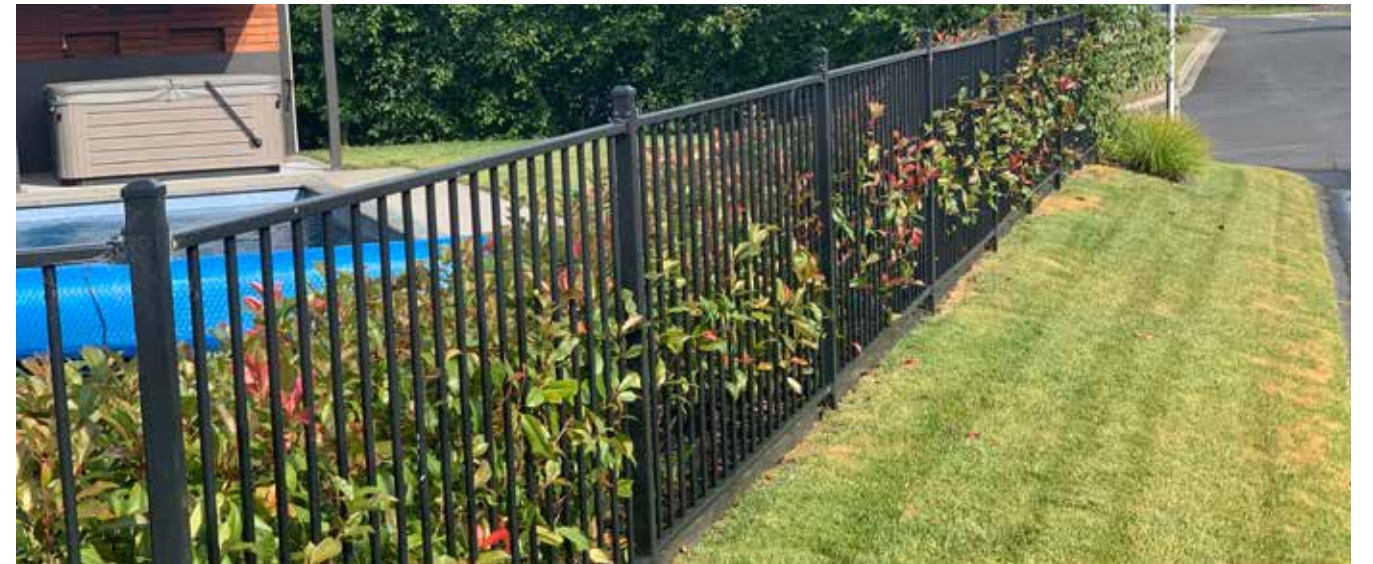
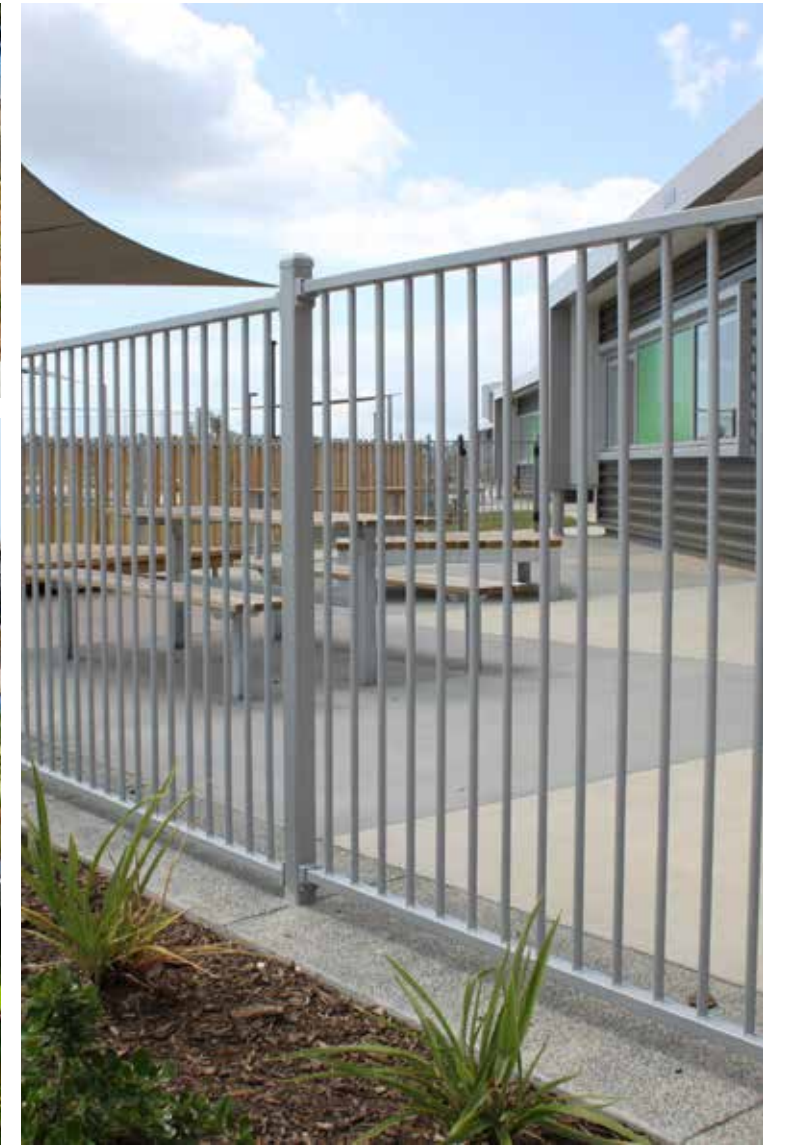
- Pool Fence compliant
- Lasts longer than timber
- No warping or fading
- Smooth finish and clean minimalist look

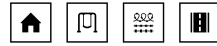
Applications

- Landscape Fencing
- Infill panels on block walls
- Balustrade fence panels
- Pool Fencing
- Slide, Swing and Cantilever Gates and custom panels also available made and priced to order.

Balustrade Compliance

When there is a drop of over 1m, panels are required to be balustrade compliant and be supplied with a producer statement to confirm it. The 1.0m high and 1.2m high Orbison panels are balustrade compliant at 1.2m wide (half normal width) and require 65x65 square posts.



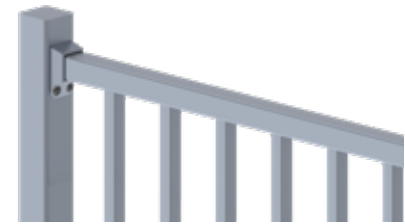


THE MERCURY

Raking Aluminium Panel

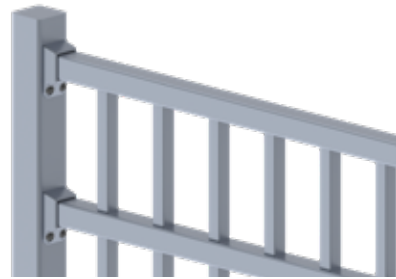
The new FenceLab Mercury Panel ticks all the boxes. It's a new low-cost aluminium raking panel that is easy to install and won't ever rust. Three great configurations based around a patented raking mechanism allow the panel to rake up to 30 degrees making this the ultimate versatile fence and balustrade panel

Chunky 25mm SHS pickets are rigidly fixed to the rails with an innovative and patented mechanism that doesn't need a large gap in the rail and doesn't suffer from the popping apart problem that plagues clip-fit type raking panels



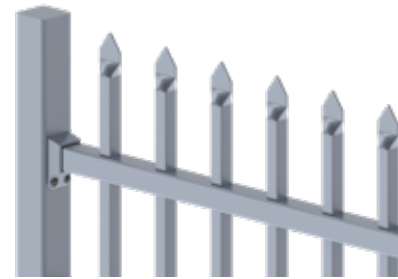
Balustrade and Pool

1.2m high flat top raking aluminium panel. 2.325m wide 2 rail panel with 25mm SHS pickets. Pool compliant to NZS8500. Balustrade compliant sold using 65mm SHS posts to NZS3604.



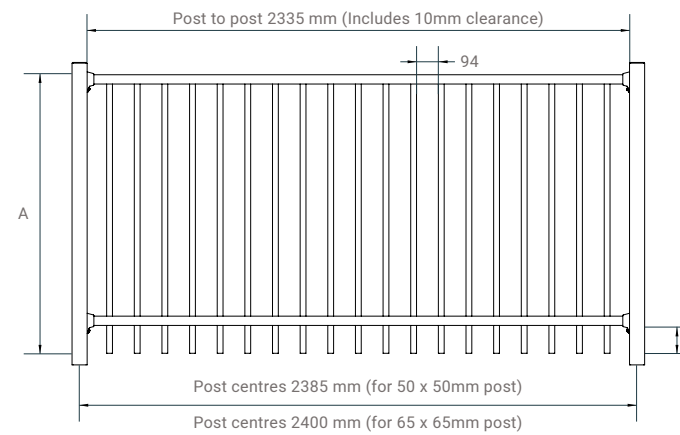
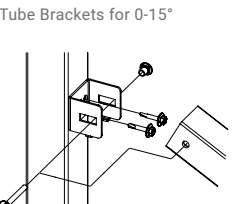
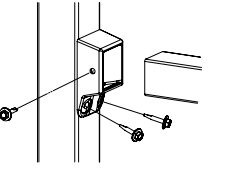
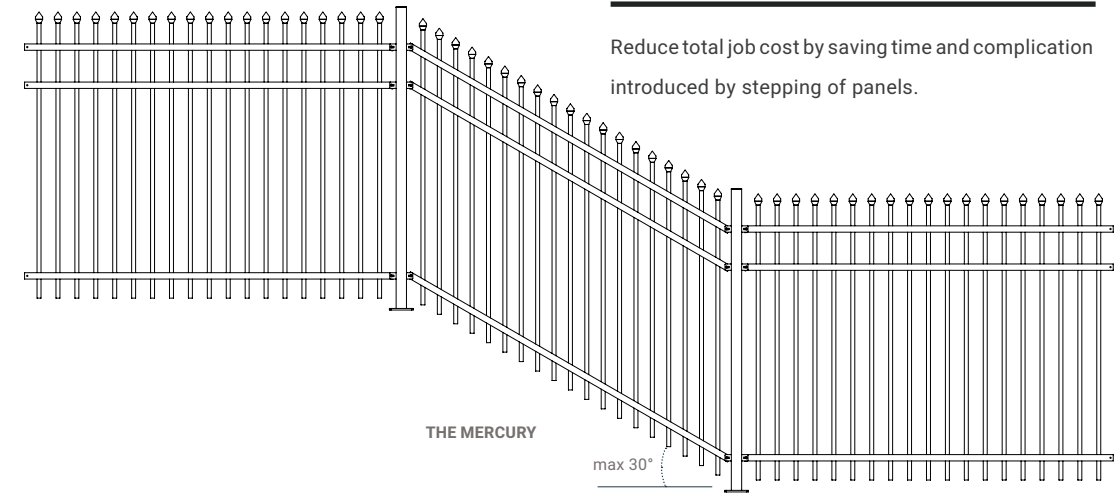
School

1.5 and 1.8m high flat top raking aluminium fence panel. 2.325m wide 3 rail flat top panels with 25mm SHS pickets. Meet the specifications of Education New Zealand - School Fencing Design Guideline with 65 SHS posts.



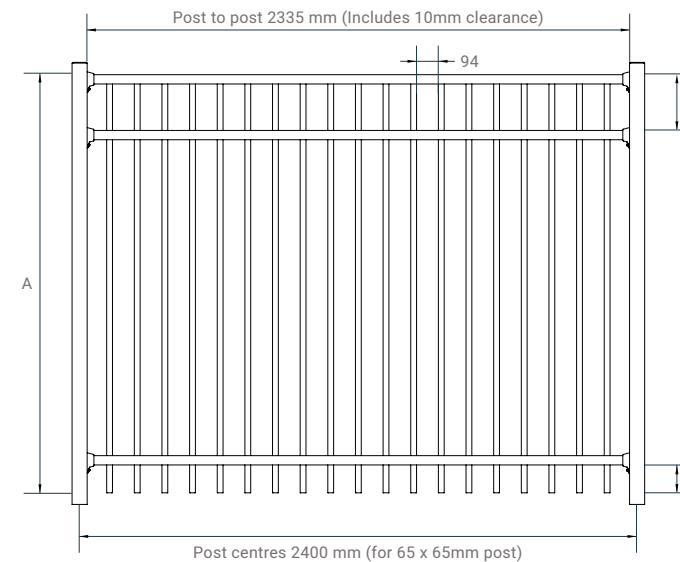
Security

1.8 and 2.1m high spike top raking aluminium fence panel. 2.325m wide 3 rail panels with 25mm SHS pressed spear pickets. Ideal for security fencing across undulating terrain.



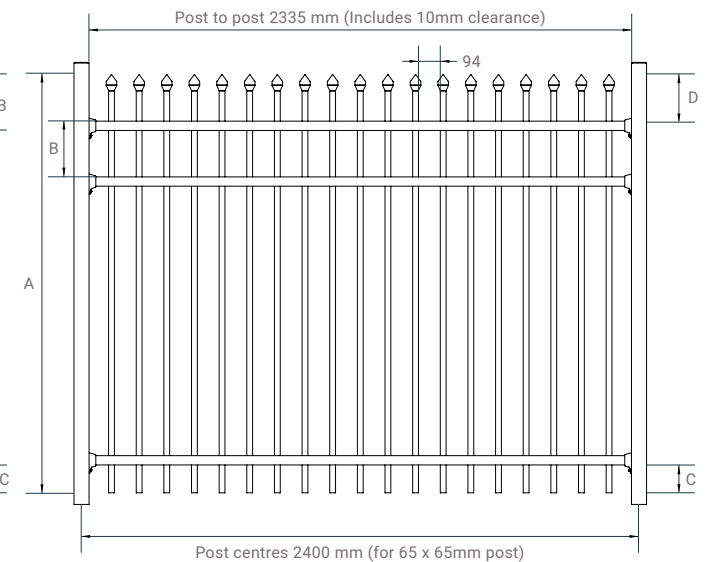
1.0/1.2Mh Flat Top 2 Rail

Height	A	B
1.0m	1000mm	120mm
1.2m	1200mm	120mm



1.5/1.8Mh Flat Top 3 Rail

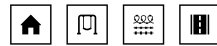
Height	A	B	C
1.5m	1500mm	240mm	120mm
1.8m	1800mm	240mm	120mm



1.8/2.1Mh Spike Top 3 Rail

Height	A	B	C	D
1.8m	1800mm	240mm	120mm	180mm
2.1m	2100mm	240mm	120mm	180mm





THE MERCURY BALUSTRADE

Raking Aluminium Balustrade & Fence Panel

Mercury Balustrade Panels are the most rigid, full-width aluminium raking panels on the market. The patented mechanism not only allows it to rake up to 30°, it also adds to the rigidity, putting it up there with custom made steel panels but without the drawbacks or price tag!

Two variants - both balustrade compliant at full 2.4m centres and rakeable to 30 degrees.

Mercury Commercial: 40x50mm top rail, 40x40mm bottom rail and 25x25mm pickets

Producer Statement available on www.fencelab.co.nz.

Commercial Balustrade Specifications

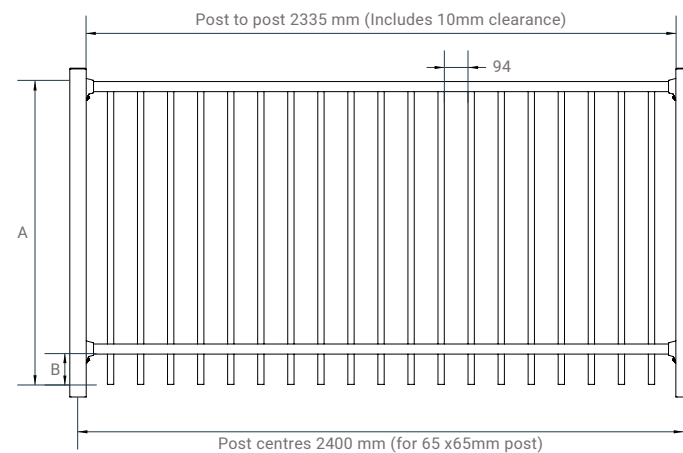
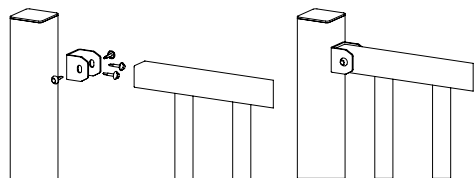
With its super rigid top rail, this panel is the ideal solution for commercial applications, apartment buildings, parks or schools and conforms to commercial balustrade requirements.

Rails: Alu 50x40mm top and 40x40mm bottom custom extrusions

Pickets: Alu 25 x 25mm SHS

***Posts:** Steel 65 x 65 x 2.5mm SHS

*Recommended



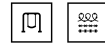
Setting	Application	Occupancy Type	Design Load	Post Centres	Posts	Fixing Options
Single Dwelling Residential	Timber Retaining Wall	A	0.35kN/m	2.4m	Alu 65SHS x 2.5 mm 6063-T5 Steel 65SHS x 2.5mm	Coach Bolt or Coach Screw
	In-ground	A	0.35kN/m	2.4m	Alu 65SHS x 2.5 mm 6063-T5 Steel 65SHS x 2.5mm	N/A
Compliant Panel: Mercury Residential (40x40 top and bottom rails)	Timber Deck	C3	0.75kN/m	1.2m	Alu 65SHS x 2.5 mm 6063-T5 Steel 65SHS x 2.5mm	Coach Bolt or Coach Screw
	In-ground	A	0.35kN/m	2.4m	Alu 65SHS x 2.5 mm 6063-T5 Steel 65SHS x 2.5mm	N/A
Commercial, Parks, Schools and Single or Multi Dwelling Residential	Timber Retaining Wall	A, B, E, C3	0.75kN/m	2.4m	Steel 65SHS x 2.5mm	Coach Bolt or Coach Screw
	In-ground	A, B, E, C3	0.75kN/m	2.4m	Steel 65SHS x 2.5mm	N/A
Compliant Panel: Mercury Commercial (50x40 top rail 40x40 bottom rail)	Concrete	A, B, E, C3	0.75kN/m	2.4m	Steel 65SHS x 2.5mm	Screw Bolt or Chem Set Rod
	Concrete Block Wall	A, B, E, C3	0.75kN/m	2.4m	Steel 65SHS x 2.5mm	Chem Set Rod

See The Mercury Balustrade Producer Statement (PS1) for further detail

PRICES | SPECIFICATIONS | DOCUMENTATION
ALL AVAILABLE ON OUR WEBSITE



PRICES | SPECIFICATIONS | DOCUMENTATION
ALL AVAILABLE ON OUR WEBSITE



THE CHIEFS

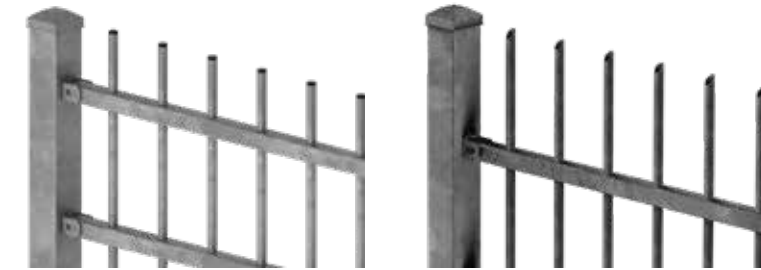
Steel HDG Fence Panel

The durability and strength of hot dip galvanised tubular steel with sharp spears make The Chiefs panel range ideal for industrial and commercial security applications. Choose from flat top in the shorter panels or rod top in the taller panels for a strong hard wearing panel for walkways and cycle paths.

Available ex-stock in hot dip galvanised (NZS 4680) finish or satin black powder coated over a hot dipped panel.

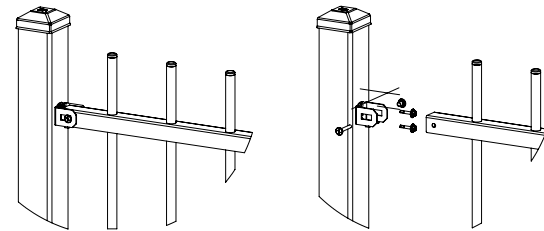
Specifications

Rails:	HDG Steel 40 x 40mm Square
Pickets:	HDG Steel 16mm Round
Fixings:	HDG Steel brackets and anti-tamper bolts



Rod Top

Spear Top



Balustrade and Pool

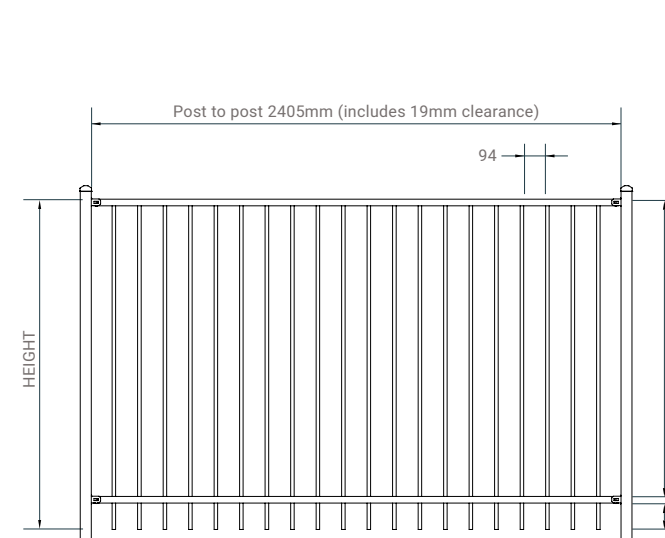
1.2m high flat top steel panel. 2.386m wide 2 rail panel with 16mm round pickets. Pool compliant to NZS8500. Balustrade compliant sold using 65mm SHS posts to NZS3604.

School

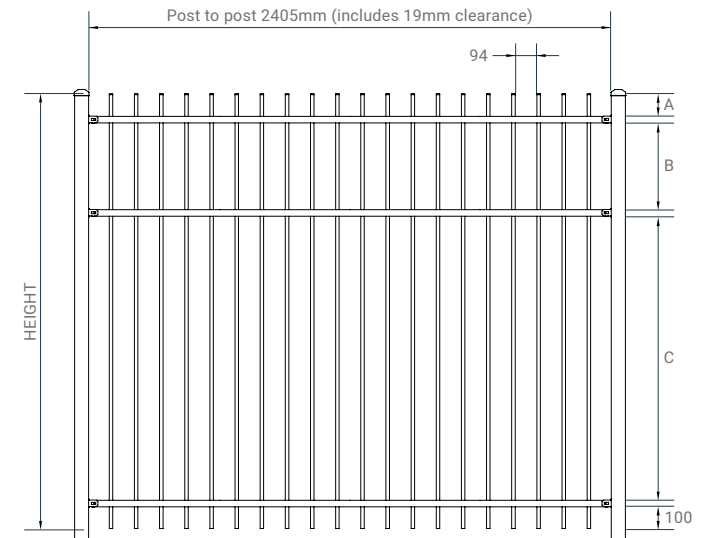
1.5m and 1.8m high flat top steel fence panel. 2.386m wide flat top panels with 16mm round pickets. Meet the specifications of Education New Zealand - School Fencing Design Guideline with 65 SHS posts.

Security

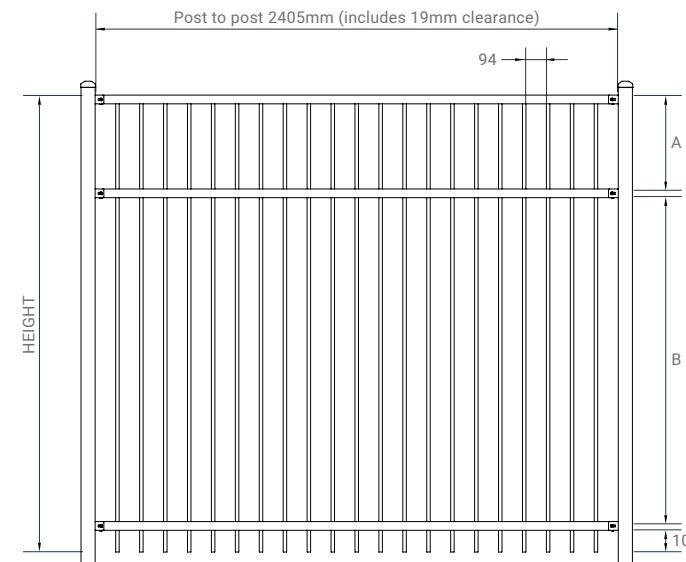
1.8m and 2.1m high spear or 1.7m and 2.0m high rod top steel fence panels. 2.386m wide 3 rail panels with 16mm pickets. Ideal for security fencing.



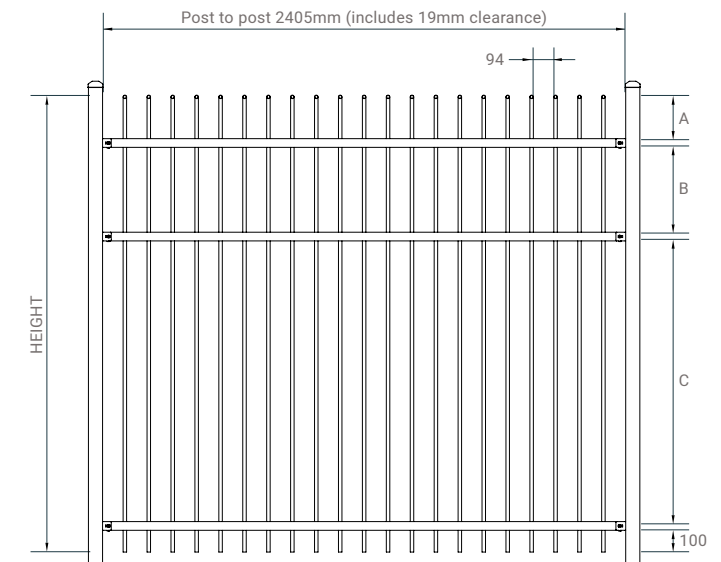
Height	A	B	1.2/1.5
1.2m	1060mm	100mm	Flat Top (Balustrade)
1.5m	1360mm	100mm	Flat Top (Indent)



Height	A	B	C	1.7/2.0
1.7m	100mm	190mm	1190mm	Rod Top
2.0m	100mm	390mm	1290mm	Rod Top

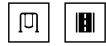


Height	A	B	1.7
1.8m	230mm	1390mm	Flat Top (Indent)



Height	A	B	C	1.7/2.0
1.8m	200mm	190mm	1190mm	Spear Top
2.1m	200mm	390mm	1290mm	Spear Top



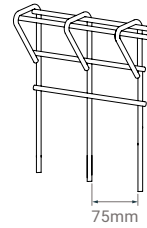
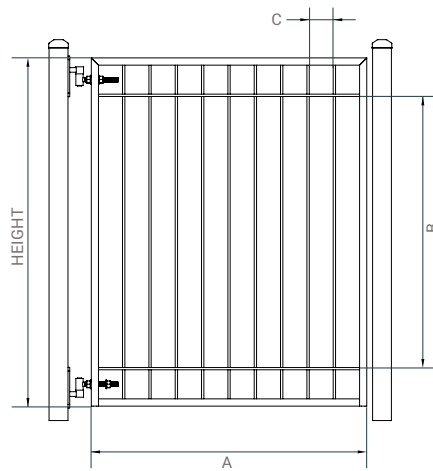
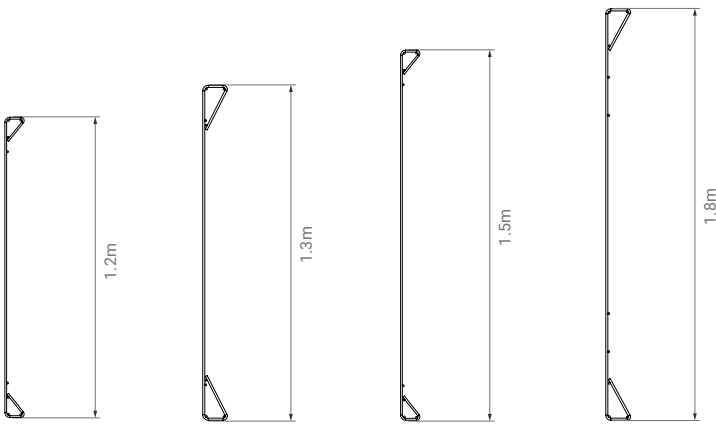


THE KINKS

Rigid Folded Wire Panel

Long lasting, versatile and economic, The Kinks fold top panels are ideal for long runs of fencing where a visibly unobtrusive barrier is needed along roadways or around services.

Available ex-stock in hot dip galvanised (NZS 4680) finish or satin black powder coated over a hot dipped panel.



Dimensions

Height	Width	Wire
1.2m	2400mm	6.5mm wire for horizontals and verticals
1.3m	2400mm	6.5mm wire for horizontals and 7.5mm wire for verticals
1.5m	2400mm	6.5mm wire for horizontals and 7.5mm wire for verticals
1.8m	2400mm	6.5mm wire for horizontals and 7.5mm wire for verticals

Gate Dimensions

Height	A	B	C	Frame	Wire
1.2m	955mm	960mm	83mm	25 x 1.5mm SHS	7.5mm
1.5m	955mm	1190mm	83mm	25 x 1.5mm SHS	7.5mm
1.8m	934mm	1115mm	83mm	30 x 1.5mm SHS	10mm

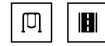
Superior Corrosion Performance

Kinks panels are hot dip galvanised to New Zealand Standard 4680 giving them the best armour against our harsh coastal environment.

Applications

- Motorway fencing
- Infrastructure fencing
- Pool fencing
- Swing, Slide and Cantilever gates





THE BOSS

Raking Steel Fence & Balustrade Panel

The Boss is New Zealand's most durable and versatile raking steel fence panel.

Balustrade compliance, durability and rakability make Boss panels ideal for residential housing developments and other infrastructure projects. The panels rake up to 30 deg and are balustrade compliant at 2.4m wide. PS1 certificates covering a wide range of applications and fixing details are available on the website.

Specifications

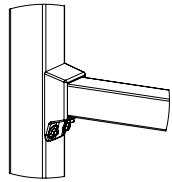
Rails: Pre-galvanised Steel 40mm Square x 2.0mm

Pickets: Pre-galvanised Steel 16mm Square x 1.6mm

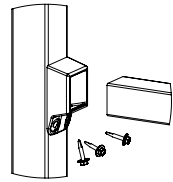
***Posts:** Square Steel 65mm Square for balustrade or 50mm Square for fencing

*Recommended

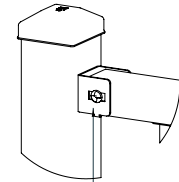
Alu Tube Bracket:
Raking to 15 deg.



HDG Steel Rail Bracket:
Raking to 30 deg.

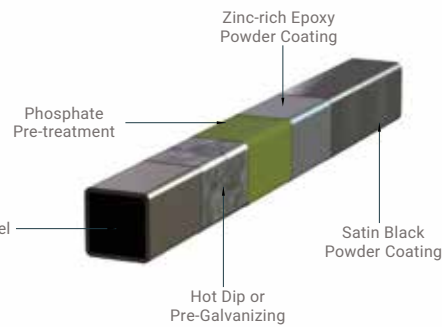
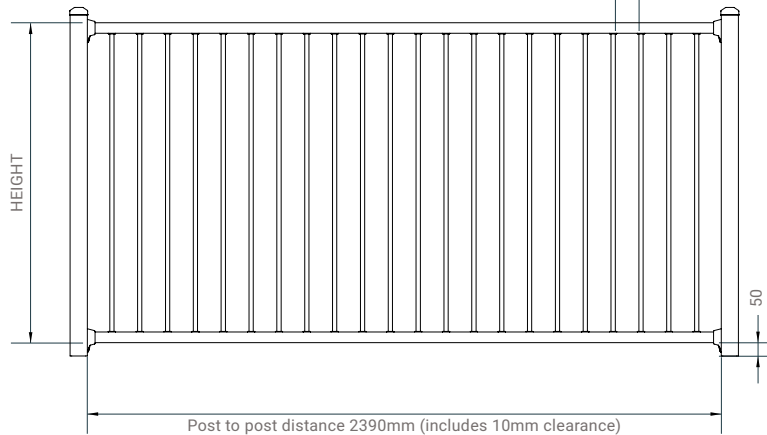


3 x 14g Tek Screw or Pentaforce Antitamper



Antitamper Bolt

89



Dimensions

Height	
1.0m	1000mm
1.2m	1200mm

Applications

- Landscape Fence
- Balustrade Fence (Compliant at full length panel)
- Slide, Swing and Cantilever gates can be made to order to suit your entrances.

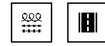
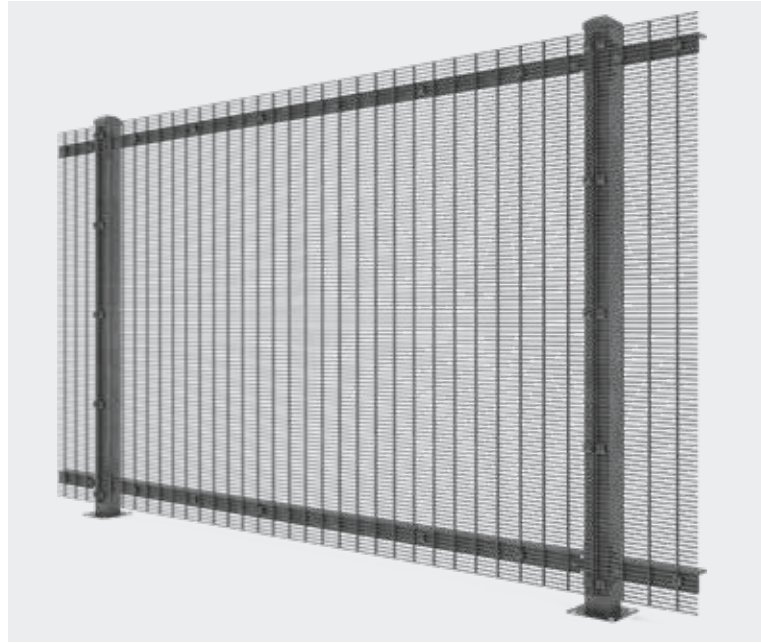
Raking up to 30° deg

The mechanism inside a Boss panel allows it to rake up to 30 degrees while still retaining its structural rigidity. This means that your fence line can flow over the terrain. Add to that balustrade compliance and the durability of steel and you have the ultimate in fencing versatility.

Zinc-Rich Epoxy Powder Coating

Our new improved powder coating process with three layers of protection – zinc rich primer, epoxy sealant and uv-stable satin black powder coat extend the lifespan of this similar to that of a hot dip galvanised panel.





THE METALLICA

358 Anti-scale

Closely spaced wire lets air flow through and allows visibility but is too narrow for fingers, toes or hand tools. The anti-scale properties combined with being very slow to cut make 358 the ultimate security mesh infill for fencing and infrastructure. The Metallica has double vertical wires making it stronger and more rigid than other brands and is hot dip galvanised after welding to maximise corrosion performance.

Specifications

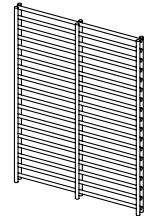
Horizontal: Single 4.0mm wire with 8.7mm spacing

Vertical: Double 4.0mm wires with 72mm spacing

Fixings: Bracket and rail system (optional) uses 50 x 3 equal angle, security fasteners and special washers.

***Posts:** Steel 75x3 SHS for up to 2.4m, 75 SHS min for 2.4 - 3.6m

*Recommended

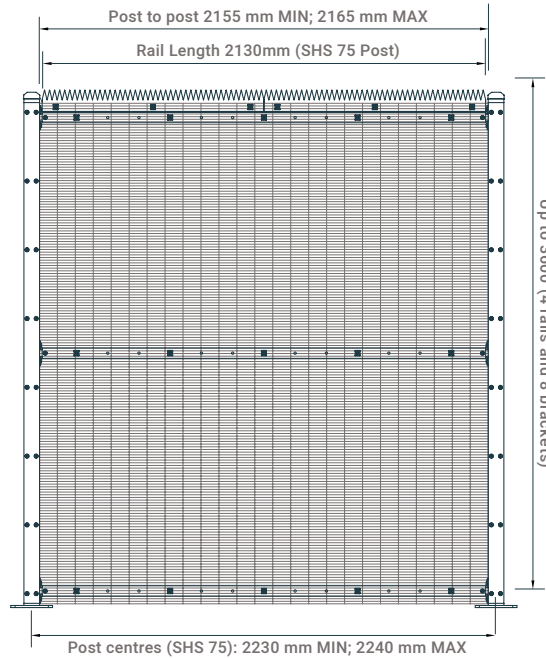
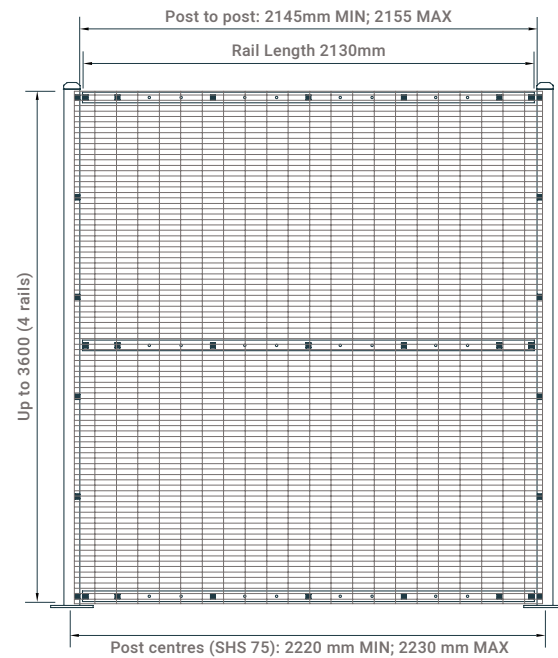


Double Vertical Wires

Double vertical wires vastly increase the time required to cut through the mesh making The 358DV a superior product.

358DV single sheets available in two following sizes:

- 2210mm wide x 2400 high
- 2210mm wide x 3600 high



Security Fencing

At up to 3.6m high, and used in conjunction with other security fixings such as spiked razor top or razor wire, 358 panels make for a secure perimeter.

Infrastructure Panelling and Gates

With the right equipment it is easy to cut 358 panels to size and include them as anti-scale infill in a larger fabrication.



POSTS



Steel Posts With Flange

Material	Height	Ex Stock	Made to Order	Code
50SHS x 1.5mm Hot Dip Gal	1.3m	Black or HDG		PF1.3x50x1.5-HDG
	1.6m	Black or HDG		PF1.6x50x1.5-HDG
65SHS x 2.5mm Hot Dip Gal	1.3m	Black or HDG		PF1.3X65X2.5-HDG
	1.6m	Black or HDG		PF1.6x65x2.5-HDG
	1.9m	HDG		PF1.9x65x3.0-HDG
	2.2m	-	All Made to Order	PF2.2x65x3.0-HDG



Steel In-Ground Fence Posts

Material	Height	Ex Stock	Made to Order	Code
50SHS x 1.5mm Pre-Gal	2.0m	Black or Pre-Galv		P2.0x50x1.5-GAL
	2.2m	Black or Pre-Galv		P2.2x50x1.5-GAL
50SHS x 1.5mm Hot Dip Gal	2.0m	HDG		P2.0x50x1.5-HDG
	2.2m	-	Made to Order	P2.2x50x1.5-HDG
65SHS x 2.5mm Pre-Gal	2.0m	Black or Pre-Galv		P2.0x65x2.5-GAL
	2.2m	Black or Pre-Galv		P2.2x65x2.5-GAL
	2.6m	Black or Pre-Galv		P2.6x65x2.5-GAL
	2.9m	Black or Pre-Galv		P2.9x65x2.5-GAL
65SHS x 2.5mm Pre-Gal	2.0m	Black or HDG		P2.0x65x2.5-HDG
	2.2m	HDG		P2.2x65x2.5-HDG
	2.6m	HDG		P2.6x65x2.5-HDG
	2.9m	HDG		P2.9x65x2.5-HDG
100SHS x 3.0mm Pre-Gal	3.0m	Black or Pre-Galv		P3.0X100X3.0-GAL



Balustrade Posts (See website for PS1 details)

Application	Fixes to	Ex Stock	All Cut + Drilled	Code
Single Dwelling Residential	Timber Retaining Wall - 2 coach bolts	Steel or Alu PC	From stock to posts	PBS-1.8-2RTR-GPC
	Timber Retaining Wall - 4 coach screws	Steel or Alu PC	From stock to posts	PBS-2.0-4RTR-GPC
	Timber Retaining Wall - 2 coach screws	Steel or Alu PC	From stock to posts	PBS-2.5-2RTR-GPC
	Masonry Block Wall - chemset studs	Steel PC	From stock to posts	PBS-1.6-2MB-GPC
	Concrete Slab - chemset studs	Steel PC	From stock to posts	PBS-1.6-2CS-GPC
	Timber Deck - coach bolts	Steel PC	From stock to posts	PBS-1.6-2TD-GPC
Multi Dwelling and Commercial	Timber Retaining Wall - 2 coach bolts	Steel PC	From stock to posts	PBS-2.0-2CTR-GPC
	Timber Retaining Wall - 4 coach screws	Steel PC	From stock to posts	PBS-2.2-4CTR-GPC
	Masonry Block Wall - chemset studs	Steel PC	From stock to posts	PBS-1.6-2MB-GPC
	Concrete Slab - chemset studs	Steel PC	From stock to posts	PBS-1.6-2CS-GPC
	Timber Deck - coach bolts	Steel PC	From stock to posts	PBS-1.6-2TD-GPC



POSTS



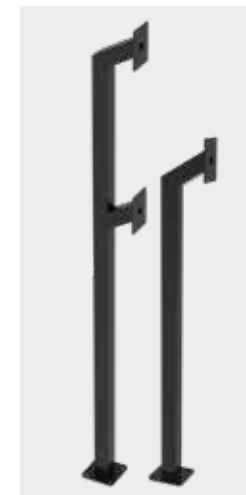
Aluminium Posts With Flange

Material	Height	Ex Stock	Made to Order	Code
50SHS x 1.8mm	1.1m	Black or Mill		PAF1.1x50x1.8-APC
	1.3m	Black or Mill		PAF1.3x50x1.8-APC
65SHS x 2.5mm	1.6m	Black	Mill: Made to Order	PAF1.6x50x1.8-APC
	1.1m	Black or other	All Made to Order	PAF1.1x65x2.5-APC
65SHS x 2.5mm	1.3m	Black or other	All Made to Order	PAF1.3x65x2.5-APC
	1.6m	Black		PAF1.6x65x2.5-APCB
65SHS x 2.5mm	1.9m	Black		PAF1.9x65x2.5-APCB



Aluminium In-Ground Fence Posts

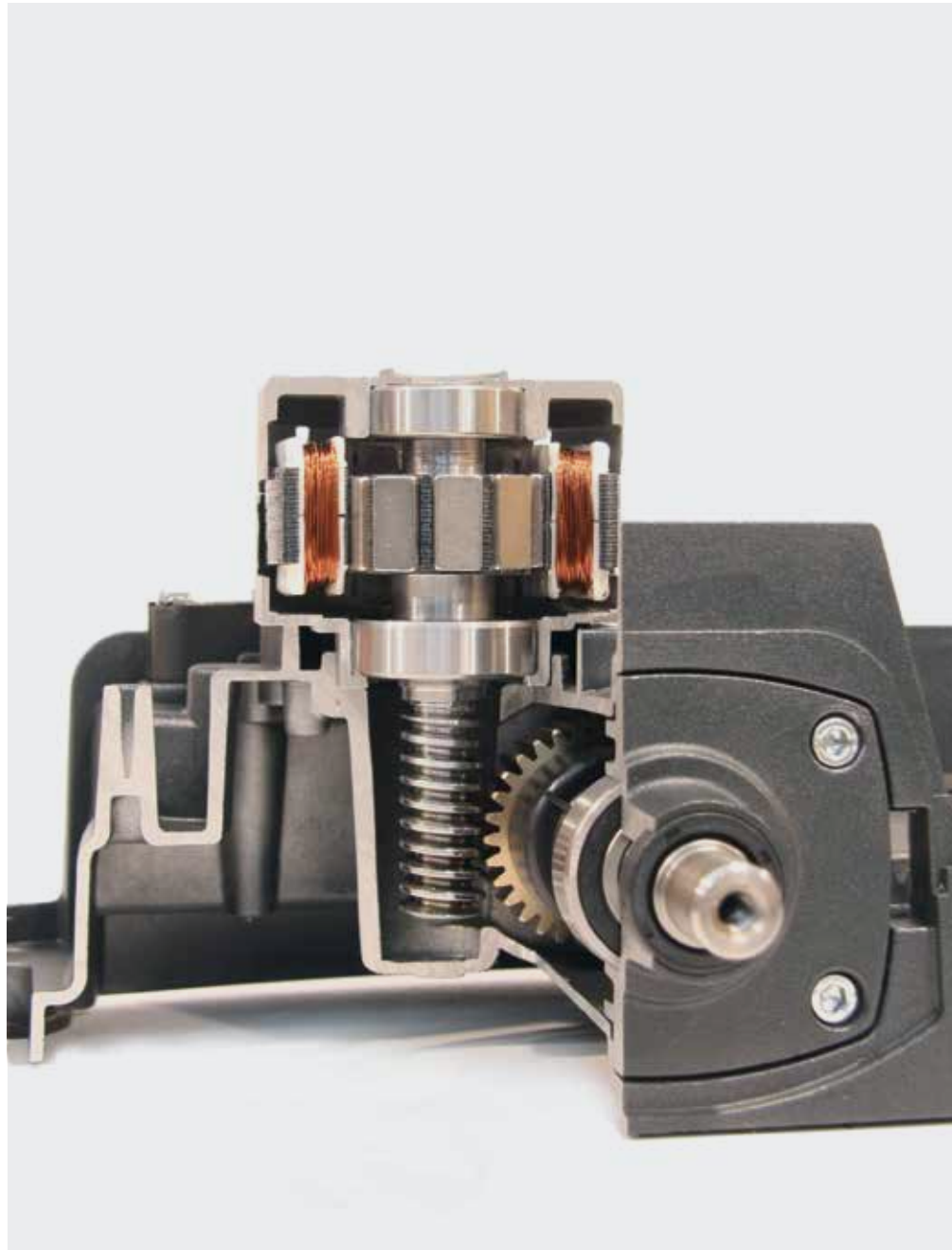
Material	Height	Ex Stock	Code
50SHS x 1.8mm	1.5m	Black or Mill	PA1.5X50X1.8-APC
	1.8m	Black or Mill	PA1.8X50X1.8-APC
	2.1m	Black or Mill	PA2.1X50X1.8-APC
65SHS x 2.5mm	1.5m	Black or Mill	PA1.5X65X2.5-PC
	1.8m	Black or Mill	PA1.8X65X2.5-PC
	2.1m	Black or Mill	PA2.1X65X2.5-PC
	2.5m	Black or Mill	PA2.5X65X2.5-PC



Gooseneck Intercom Post

Type	Ex Stock	Code
Intercom post made from aluminium 65 SHS with flange	Yellow	GNP-SINGLE-APCY
	Black	GNP-SINGLE-APCB
Double Intercom post for Truck plus Car access	Yellow	GNP-DOUBLE-APCY
	Black	GNP-DOUBLE-APCB





ACCESS + AUTOMATION

Roger Technology is the world leader in high speed brushless gate and door automation.

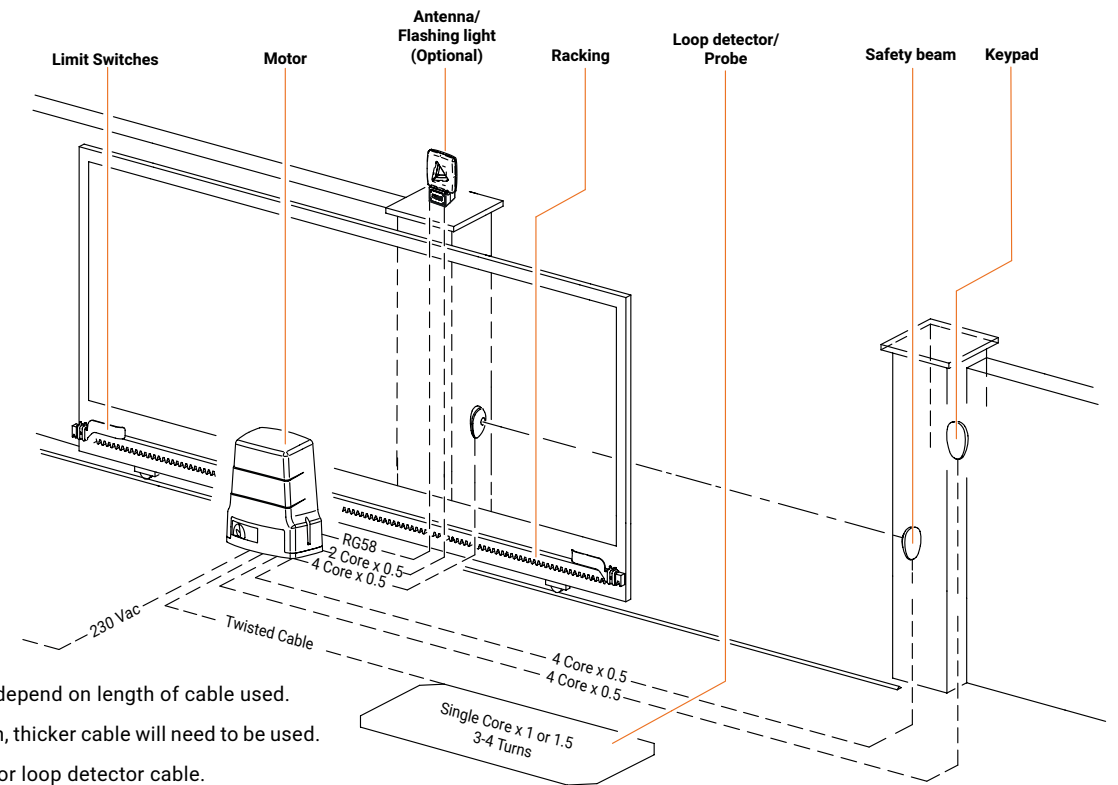


PRICES | SPECIFICATIONS | DOCUMENTATION
ALL AVAILABLE ON OUR WEBSITE



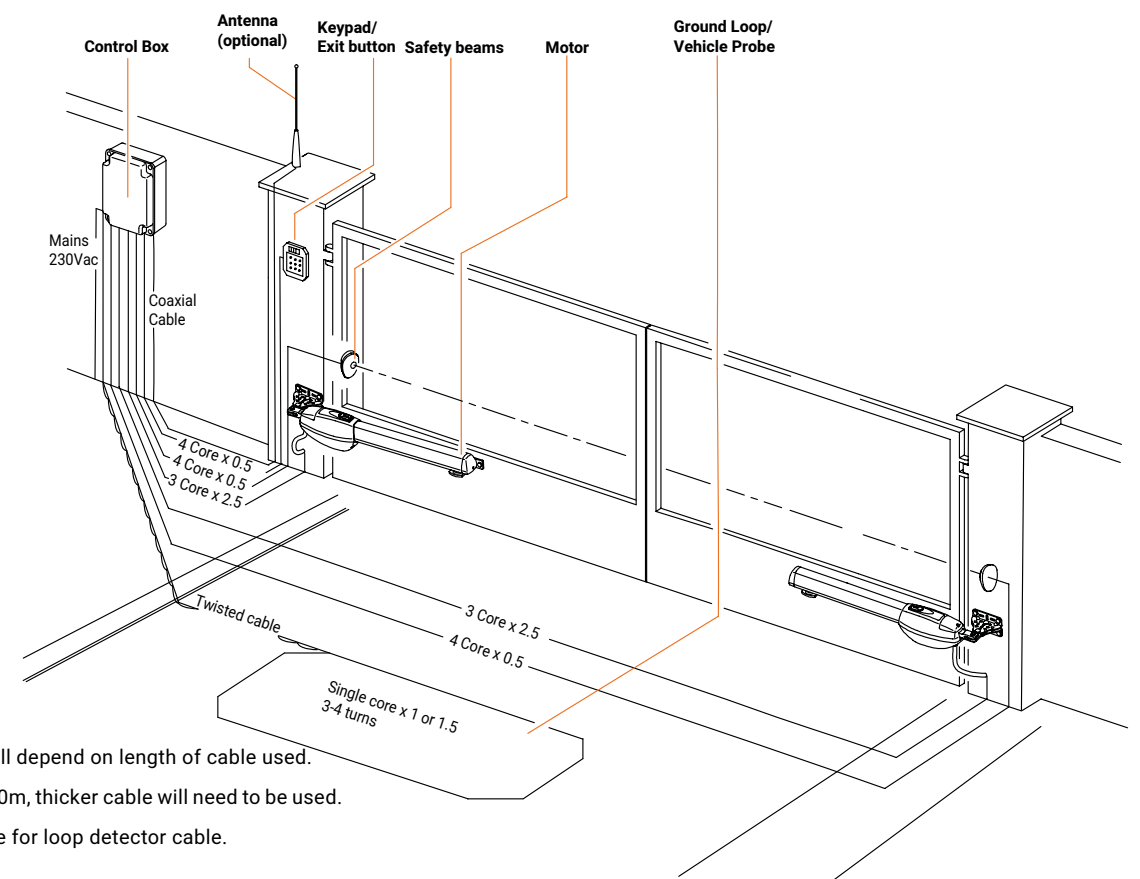
GATE LAYOUT

TYPICAL SLIDING GATE



*Cable size will depend on length of cable used.
If more than 20m, thicker cable will need to be used.
Not Applicable for loop detector cable.

TYPICAL SWING GATE



*Cable size will depend on length of cable used.
If more than 20m, thicker cable will need to be used.
Not Applicable for loop detector cable.



PRICES | SPECIFICATIONS | DOCUMENTATION
ALL AVAILABLE ON OUR WEBSITE



BAMBINO

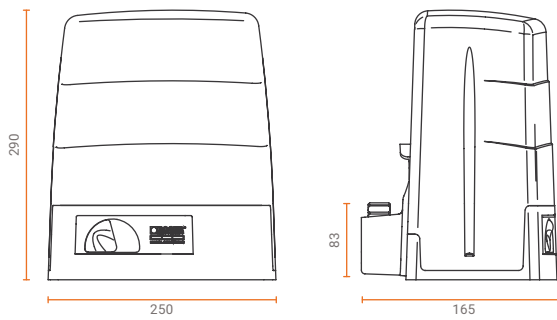
24v brushless sliding gate operator for gates up to 400kg.

BM30-304

Tech Specifications	
Max. gate size	400kg
Motor power	200W
Opening speed	26m/min
Max. thrust	350N
Motor power supply	24V
Protection level	IP43
Limit switch	Magnetic
Onboard control unit	B70-1DC

*Kits include operator, fixing plate and plug in receiver with 2 two button remotes

Ideal For : Residential and light commercial gates



ACCESSORIES



ADJUSTABLE PHOTOCELLS

M90-F2ESO	M90 Photocells
DEF-01	Antivandal Cover For M90

Safety photocells prevent the gate from closing on a car.



SEBURY KEYPAD

STOUCH2	Normal Keypad
STOUCH2S	Slim Keypad



NYLON GEAR RACK

RN-6L-1020	For Downward (Standard)
RN-S6	For Upward (Cantilever)

High quality 6-LUG nylon gear rack for automated sliding and cantilever gates weighing up to 800kg (on level ground).

PRICES | SPECIFICATIONS | DOCUMENTATION
ALL AVAILABLE ON OUR WEBSITE



MEDIO

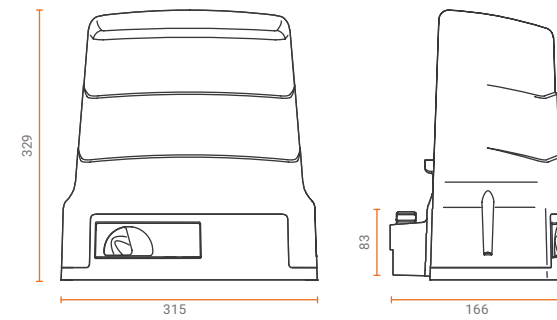
24v brushless sliding gate operator for gates up to 600kg.

BH30-604

Tech Specifications	
Max. gate size	600kg
Motor power	200W
Opening speed	24m/min
Max. thrust	500N
Motor power supply	24V
Protection level	IP43
Limit switch	Magnetic
Onboard control unit	B70-1DC

*Kits include operator, fixing plate and plug in receiver with 2 two button remotes

Ideal For : Gates needing battery backup.



ACCESSORIES



ADJUSTABLE PHOTOCELLS

M90-F2ESO	M90 Photocells
DEF-01	Antivandal Cover For M90

Safety photocells prevent the gate from closing on a car.



BACK-UP BATTERY

B71-BC	Fits inside cover
---------------	-------------------

The battery backup for a Roger Medio BH30 allows it to open and close a few times in the event of a power outage.



NYLON GEAR RACK

RN-6L-1020	Downward (Standard)
RN-S6	Upward (Cantilever)

High quality 6-LUG nylon gear rack for automated sliding and cantilever gates weighing up to 800kg (on level ground).

PRICES | SPECIFICATIONS | DOCUMENTATION
ALL AVAILABLE ON OUR WEBSITE



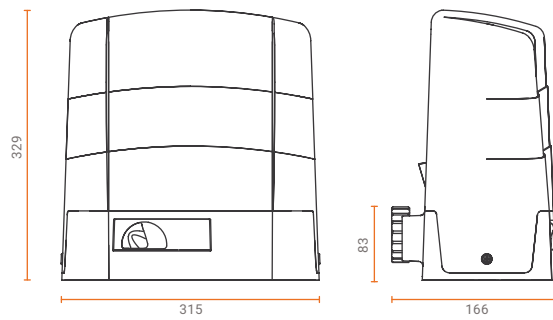


GRANDE

36v brushless sliding gate operator for gates up to 1800kg.

BG30-1504

Tech Specifications	
Max. gate size	1500kg
Motor power	650W
Opening speed	25m/min
Max. thrust	1000N
Motor power supply	36V
Protection level	IP43
Limit switch	Magnetic
Onboard control unit	B70-1DCHP



*Kits include operator, fixing plate and plug in receiver with 2 two button remotes

Ideal For : Industrial and large commercial gates

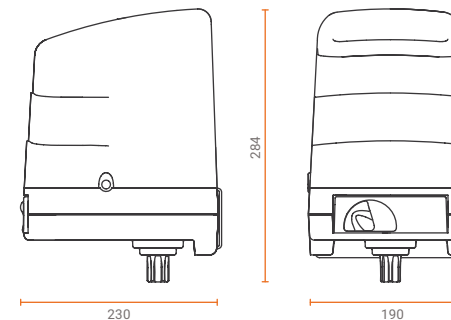


ARTICOLATO

24v linear operator for swing gates up to 2.8m and 250kg.

BH23-252

Tech Specifications	
Max. gate size	2.5m/250kg
Motor power	160W
Opening speed	10-16sec
Max. thrust	280N
Motor power supply	36V
Protection level	IP43
Reductor type	Irreversible
Control board	B70-2DC



*Kits include operator(s), brackets, control board in IP66 box with plug in receiver with 2 two button remotes

Ideal For : Residential swing gates with block pillars

ACCESSORIES



ADJUSTABLE PHOTOCELLS

M90-F2ESO	M90 Photocells
DEF-01	Antivandal Cover For M90

Safety photocells prevent the gate from closing on a car.



BACK-UP BATTERY

B71-BCHP-BOX	Battery in box
---------------------	----------------

The battery backup for a gate motor allows it to open and close a few times in the event of a power outage.



STEEL GEAR RACK

RS-Z12	1m Long
RS-Z12-2	2m Long
RS-RACKTAB	Rack-Tab

High quality 12mm steel gear rack for automated sliding and cantilever gates weighing up to 2500kg. Supplied with 25mm threaded M8 stand-offs. Optional Rack-Tabs sold separately.

ACCESSORIES



ADJUSTABLE PHOTOCELLS

M90-F2ESO	M90 Photocells
DEF-01	Antivandal Cover For M90

Safety photocells prevent the gate from closing on a car.



BACK-UP BATTERY

B71-BCHP-BOX	Battery in box
---------------------	----------------

The battery backup for a gate motor allows it to open and close a few times in the event of a power outage.



EXTENDED REACH ARM

LT303	Extended reach for <300mm
--------------	---------------------------





PRESTO

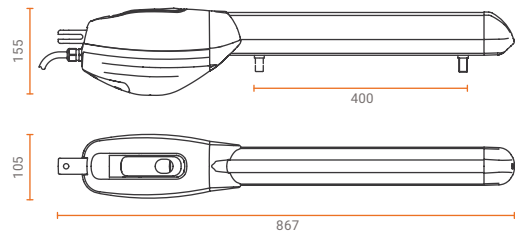
36v linear operator for swing gates up to 2.5m and 300kg.

BE20-200-HS

Tech Specifications	
Max. gate size	2.5m/300kg
Motor power	200W
Opening speed	10-15sec
Max. thrust	2200N
Motor power supply	36V or 24V
Protection level	IP43
Reductor type	Irreversible
Control board	Edge-1 or B70-2DC

*Kits include operator(s), brackets, control board in IP66 box with plug in receiver with 2 two button remotes

Ideal For : Residential Double Swing Gates



PRESTO

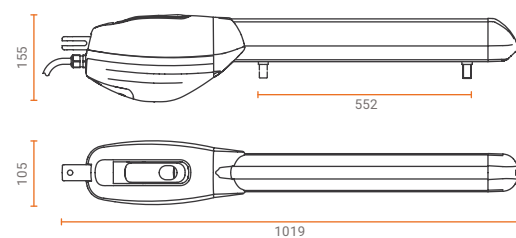
36v linear operator for swing gates up to 4m and 400kg.

BR20-400

Tech Specifications	
Max. gate size	4m/400kg
Motor power	200W
Opening speed	17-26sec
Max. thrust	2800N
Motor power supply	36V
Protection level	IP43
Reductor type	Irreversible
Control board	Edge-1

*Kits include operator(s), brackets, control board in IP66 box with plug in receiver with 2 two button remotes

Ideal For : Residential Double Swing Gates



PRICES | SPECIFICATIONS | DOCUMENTATION
ALL AVAILABLE ON OUR WEBSITE



SMARTY 4

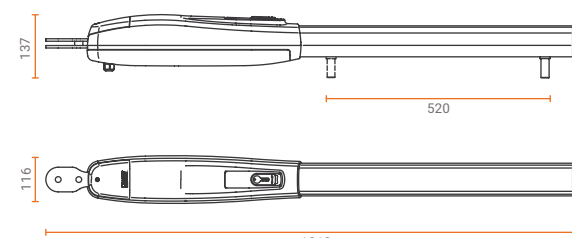
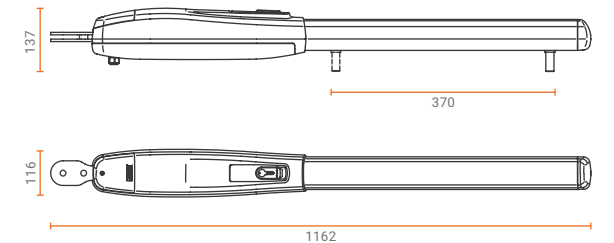
36v linear operator for swing gates up to 4m and 400kg.

SMARTY-4-HS

Tech Specifications	
Max. gate size	4m/400kg
Motor power	200W
Opening speed	15-25sec
Max. thrust	4500N
Motor power supply	36V
Protection level	IP43
Reductor type	Irreversible
Control board	Edge-1

*Kits include operator(s), brackets, control board in IP66 box with plug in receiver with 2 two button remotes

Ideal For : Industrial and Commercial Swing Gates, Gates subject to high winds.



PRICES | SPECIFICATIONS | DOCUMENTATION
ALL AVAILABLE ON OUR WEBSITE



SMARTY 7

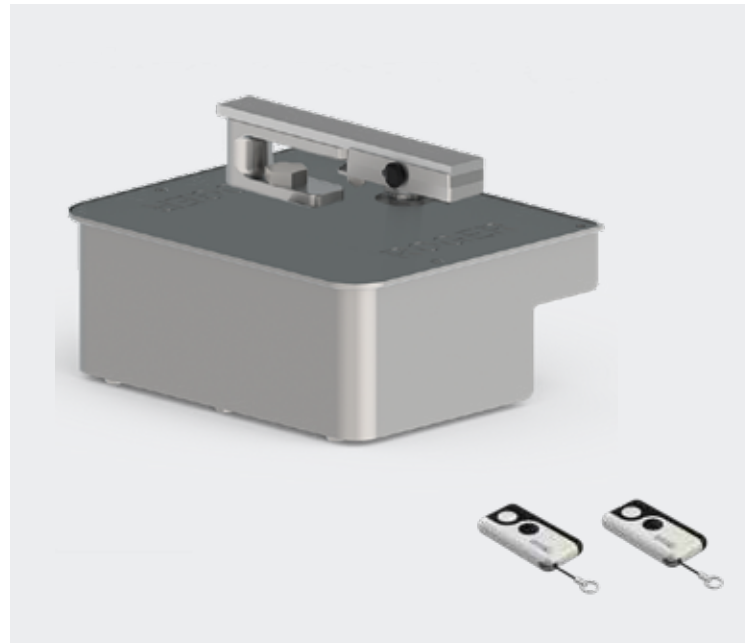
36v linear operator for swing gates up to 7m and 700kg.

SMARTY-7

Tech Specifications	
Max. gate size	7m/700kg
Motor power	200W
Opening speed	35-50sec
Max. thrust	7000N
Motor power supply	36V
Protection level	IP43
Reductor type	Irreversible
Control board	Edge-1

*Kits include operator(s), brackets, control board in IP66 box with plug in receiver with 2 two button remotes

Ideal For : Industrial and Large Commercial Swing Gates



FANTASMA

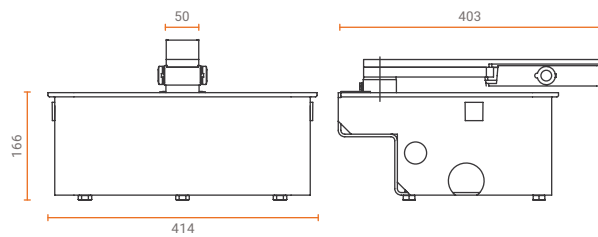
36v linear operator for swing gates up to 3.5m and 800kg.

BR21-351

Tech Specifications	
Max. gate size	3.5m/800kg
Motor power	200W
Opening time to 90°	10-15sec
Max. thrust	220N
Motor power supply	36V
Protection level	IP67
Reductor type	Irreversible
Control board	Edge-1

*Kits include operator, fixing plate and plug in receiver with 2 two button remotes

Ideal For : High-end residential and commercial swing gates



ACCESSORIES



ADJUSTABLE PHOTOCELLS

M90-F2ESO M90 Photocells

DEF-01 Antivandal Cover For M90

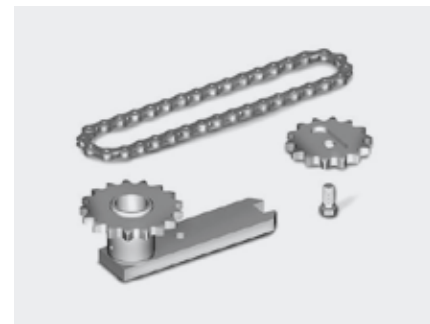
Safety photocells prevent the gate from closing on a car.



BACK-UP BATTERY

B71-BCHP-BOX Battery in box

The battery backup for a gate motor allows it to open and close a few times in the event of a power outage.



360° OPENING LEVER

LT301R 360° kit

This chain driven arm adapts the Roger BR21 submerged swing gate operator to allow it to swing the gate up to 360 deg.

PRICES | SPECIFICATIONS | DOCUMENTATION
ALL AVAILABLE ON OUR WEBSITE



MONOS

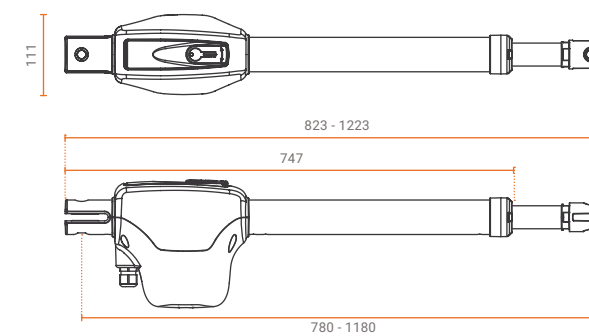
24v linear operator for swing gates up to 4m and 400kg.

MONOS

Tech Specifications	
Max. gate size	4m/400kg
Motor power	230W
Opening speed	19-35sec
Max. thrust	2200N
Motor power supply	24V
Protection level	IP43
Reductor type	Irreversible
Control board	B70-2DC

*Kits include operator(s), brackets, control board in IP66 box with plug in receiver with 2 two button remotes

Ideal For : Industrial and Large Commercial Swing Gates



ACCESSORIES



ADJUSTABLE PHOTOCELLS

M90-F2ESO M90 Photocells

DEF-01 Antivandal Cover For M90

Safety photocells prevent the gate from closing on a car.



BACK-UP BATTERY

B71-BC-BOX SKU Code

The battery backup for a gate motor allows it to open and close a few times in the event of a power outage.



MAGLOCK

GL-V600L SKU Code for Medium

An electro magnetic lock is wired into the gate operator and holds the gate securely at the free end.

PRICES | SPECIFICATIONS | DOCUMENTATION
ALL AVAILABLE ON OUR WEBSITE





GARAGE DOOR

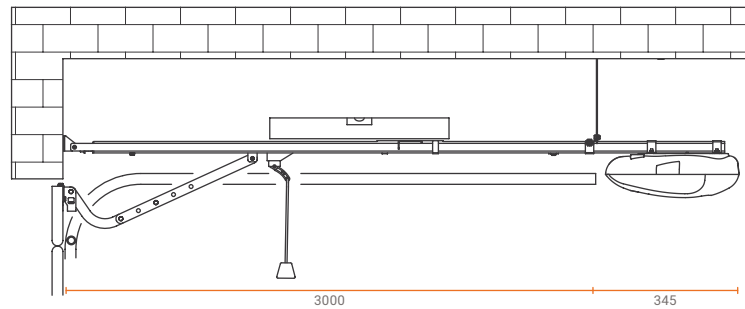
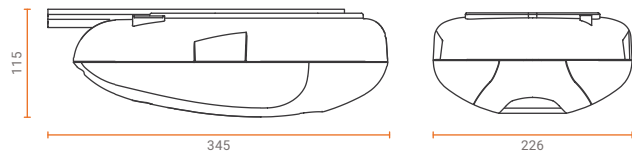
1000N sectional garage door opener.

C40-3301

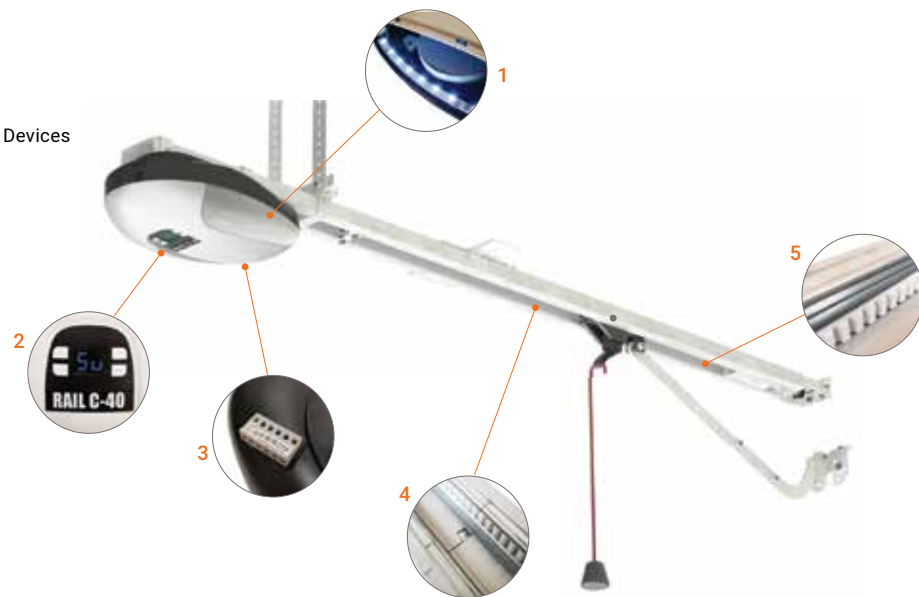
Tech Specifications	
Power supply	230V
Motor power	200W
Opening speed	0.2m/sec
Rated force	1000N
Motor power supply	24V
Protection level	IP40
Rail length	3.3m
Max opening	2.5m

*Kits include operator, rail with 2 two button remotes

Ideal For : Residential



1. Lateral Led Courtesy Lights
2. Display With External Control Buttons
3. External Terminal For Connecting The Safety Devices
4. Steel Rail
5. Belt Driven



PRICES | SPECIFICATIONS | DOCUMENTATION
ALL AVAILABLE ON OUR WEBSITE

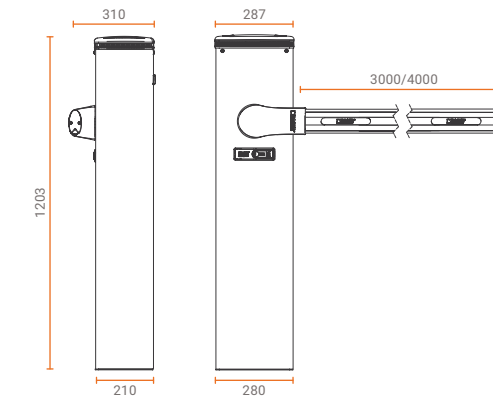


BIONIK-4

4m Parking Barrier Arm

The Roger Bionik-4 is a compact automatic barrier arm capable of moving a 4m arm up to 2500 times per day with opening times as low as 2 seconds.

Tech Specification on pg.46



*Kits include operator(s), spring(s) and boom arm.

Application : Parking

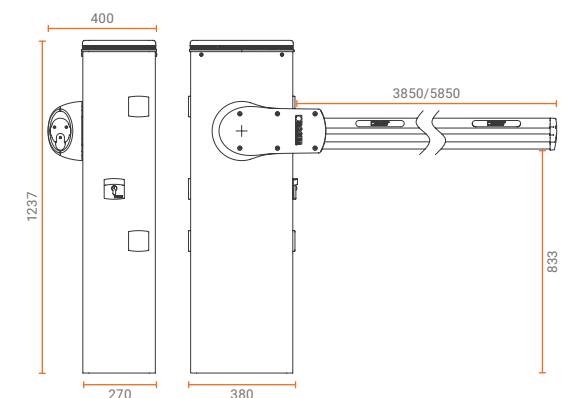


BIONIK-6

4/6m Commercial Barrier Arm

The Roger Bionik-6 and 4HP are powerful automatic barrier arms ideal for commercial applications.

Tech Specification on pg.46

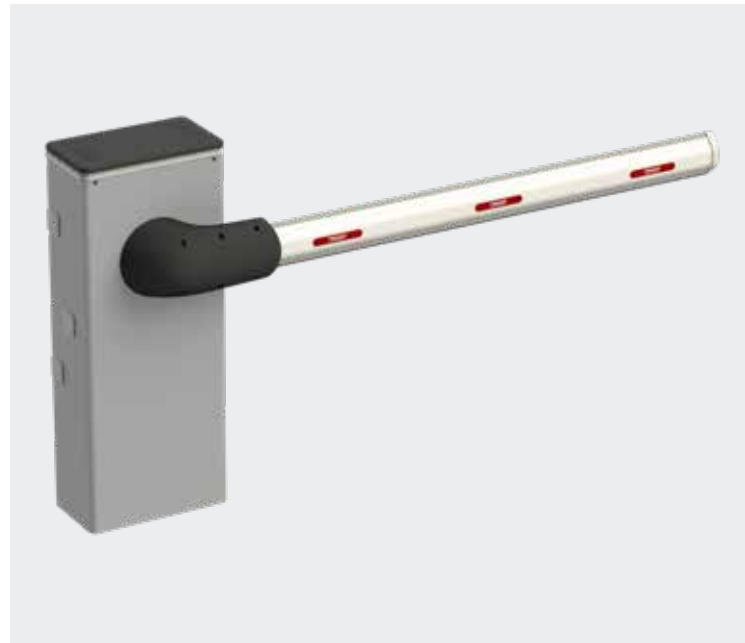


*Kits include operator(s), springs and boom arm.

Application : Commercial



PRICES | SPECIFICATIONS | DOCUMENTATION
ALL AVAILABLE ON OUR WEBSITE

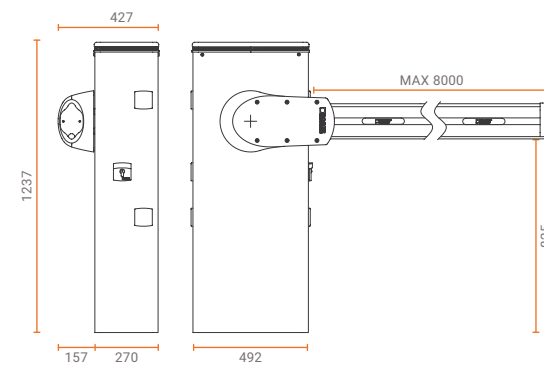


BIONIK-8

8m Industrial Barrier Arm

The Roger Bionik-8 is a powerful automatic barrier arm capable of moving an 8m arm up to 2500 times per day.

Tech Specification below.



*Kits include operator, spring(s) and boom arm

Application : Industrial



BIONIK

Roger Technology automatic barriers represent the ideal solution for all automation used in residential, condominium, commercial and industrial car parks. They are all suitable for super intensive use and can be integrated with Vehicle Priority Systems.

Tech Specifications	BIONIK-4	BIONIK-4-HP	BIONIK-6	BIONIK-8
Max. gate size	Up to 4m	Up to 4m	Up to 6m	Up to 8m
Motor power	220W	220W	220W	300W
Opening speed	2-6sec	3-6sec	4-8sec	9-29sec
Max. torque	200Nm	200Nm	300Nm	400Nm
Motor power supply	36V	36V	36V	36V
Protection level	IP43	IP54	IP54	IP54
Master/Slave operation	Available	Available	Available	Available
Control board	CTRL	CTRL	CTRL	CTRL



ADJUSTABLE SUPPORT

BAFS-01	Fixed
BAFS-02	Adjustable
BAMS-01	Pendulum
BAMS-01-EXT	Extension for pendulum



ARTICULATED JOINT <3M ARM

SDN-BA-90-DW	For Bionik 6 and Bionik 4 HP
--------------	------------------------------



MAGNETIC LOCK SUPPORT

BAFS-05	Adjustable with Mag Lock
---------	--------------------------



BARRIER SKIRT 2M

BARK-02	Automation Accessories
---------	------------------------



LED CORD + BOARD

ALED8C	For 4m
ALED12C	For 6m



BARRIER BACK-UP BATTERY KIT

BI-BAT	Includes 2 batteries and charge cord
--------	--------------------------------------



SAFETY EDGE KIT

CS-STD-RSTX-1600	
------------------	--



AUTOMATION TIMER

MEMO-Y2	365 day timer
MEMO-BT1	7 day timer



TOUCHLESS BUTTON

FOTO-TOUCH	5-50mm no touch range
------------	-----------------------





ROGER TECHNOLOGY



CARTELL WIRELESS EXIT SENSOR

CW-SYS Sensor and receiver

The CarTell Puck is a wireless car sensor in a self-contained housing with an internal transmitter and antenna. CarTell wired sensor also available.

ROGER TECHNOLOGY



SYNUS REMOTE

SYNUS-2 Fixed or rolling code remote

ROGER TECHNOLOGY



24V SOLAR KIT

SOLARKIT-100W Moderate usage
SOLARKIT-170W High usage

*Notes: Includes brackets, panels, batteries and controller

ROGER TECHNOLOGY



LOOP DETECTOR + BASE

E-ULT-MVP-E

ROGER TECHNOLOGY



100M LOOP CABLE

CABLE-100 100m roll of inductive loop traffic cable

ROGER TECHNOLOGY



EXIT LOOP 15M WIRE

E-PRLOOP 15m loop

ROGER TECHNOLOGY



LED LIGHT 24V DC AND INTEGRATED ANTENNA

FIFTHY-24 Led flashing warning light

ROGER TECHNOLOGY



STAND-ALONE RECEIVER

R93-RX2-RC-U Use your Roger remotes w/ other brand operators

ROGER TECHNOLOGY



KEYPAD

H85-TDS Wired

ROGER TECHNOLOGY



MAGLOCK - FACE MOUNT

GL-180 For small gates
GL-V600L For medium gates
GL-V1200L For large gates

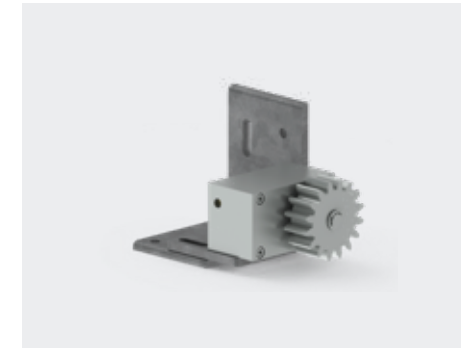
ROGER TECHNOLOGY



MAGLOCK - Z BRACKET

GL-180-Z
GL-V600-Z
GL-V1200-Z

ROGER TECHNOLOGY



RADIAL DAMPER

GATEDAMP-KIT For gates up to 500kg

ROGER TECHNOLOGY



SYNCHRONISED ADJUSTABLE PHOTOCELLS

M90-F2ESO M90 Photocells
DEF-01 Antivandal Cover For M90

ROGER TECHNOLOGY



WIRELESS PHOTOCELLS

PHOTO-DB Wireless Photocells

ROGER TECHNOLOGY



SYNCHRONISED PHOTOCELLS

G90-F4ES For Barrier Arms with multiple height sensors

ROGER TECHNOLOGY



ENCLOSURE

HT411 IP66 enclosure

ROGER TECHNOLOGY



EMX-VEHICLE EXIT PROBE

E-VMD202-PR30 Probe and sensitivity adjuster



WIRELESS MULTI-FREQUENCY KEYPAD

TAST-R Keypad only
RX2-XL Receiver





NYLON GEAR RACK

RN-6L-1020	Downward Lugs (Standard)
RN-S6	Upward Lugs (Cantilever)



STEEL GEAR RACK

RS-Z12	For 1m Long
RS-Z12-2	For 2m Long
RS-RACKTAB	For Rack-Tab



GSM GATE CONTROLLER

ESIM-320	Operate from phone
-----------------	--------------------



SEBURY KEYPAD

W3-A-SV	Normal Keypad
W1-A-SV	Slim Keypad

The Sebury Slimline Keypad is ideal for access control of gates and doors.



SEBURY STOUCH2 KEYPAD

STOUCH2	Normal Keypad
STOUCH2S	Slim Keypad

The Sebury Glass Touch Keypad is ideal for access control of gates and doors.



EXIT BUTTON (INTERNAL)

S-BUTTON	Flush push button for internal use
-----------------	------------------------------------



WIRELESS EXIT BUTTON

PUSH-C1	Wireless exit button
----------------	----------------------



SWIPE CARD & TAG

BEC-01	Thick Card
BEC-02	Thin Card
BEC-03	Tag on ring



KEYPAD HOOD

BRS-02	Rain cover for keypads and swipe readers
---------------	--



TRISTAR

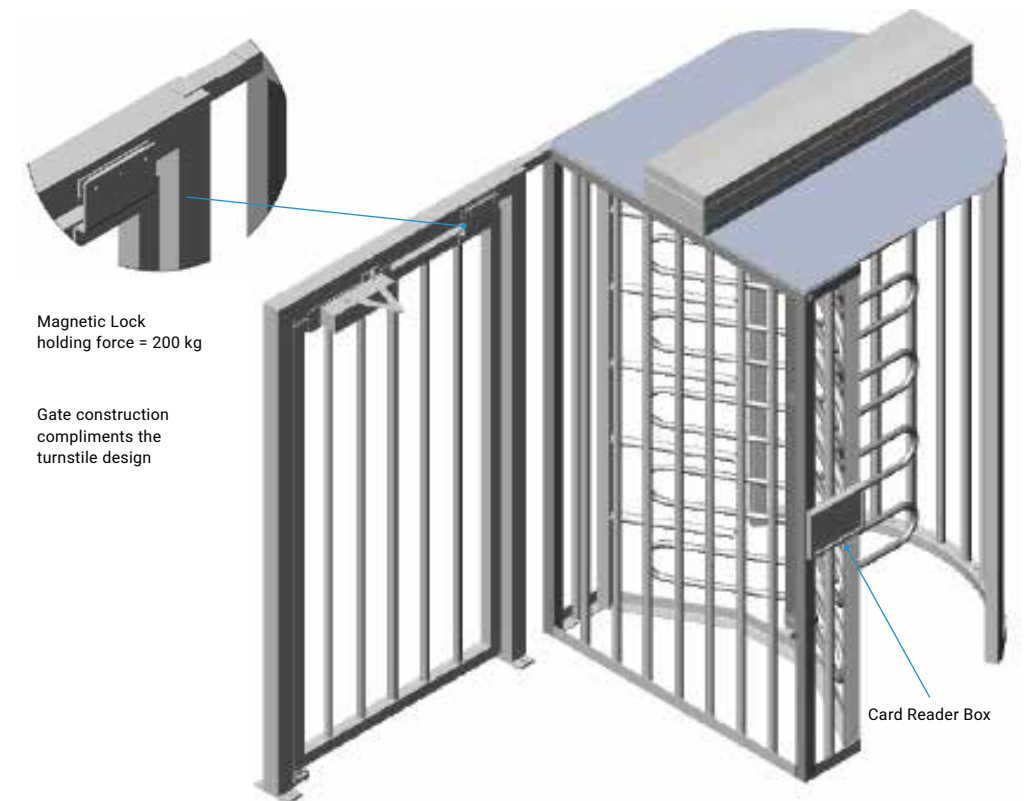
F21 TURNSTILE

The TriStar full-height turnstile is a bi-directional turnstile.

Tech Specifications	
Throughput	15 people per minute
Duty Cycle	100%
Current	1 Amp @ 240 VAC
High Capacity Mechanism	Mechanical pawl and rollers non-reversible after 33°
Solenoid	12V DC
Battery back up when power fails is standard	Operates as normal for 3000 Operations
***Power Failure Options without battery back up	<ul style="list-style-type: none"> • Locked entry - free exit • Locked exit - free entry • Locked in both directions • Free wheel in both directions

*** These options must be specified when ordering and cannot be changed

DESIGN DETAILS



Magnetic Lock holding force = 200 kg

Gate construction compliments the turnstile design

Card Reader Box





TRISTAR

J18 TURNSTILE

The TriStar full-height turnstile is a bi-directional turnstile but with many new features and improved operation.

Tech Specifications

Throughput	15 people per minute
Duty Cycle	100%
Current	1 Amp @ 240 VAC
High Capacity Mechanism	Mechanical pawl and rollers non-reversible after 33°
Solenoid	12V DC
Battery back up when power fails is standard	Operates as normal for 3000 Operations

- ***Power Failure Options without battery back up
- Locked entry - free exit
 - Locked exit - free entry
 - Locked in both directions
 - Free wheel in both directions

*** These options must be specified when ordering and cannot be changed



TRISTAR

SL3 TURNSTILE

The TriStar full-height turnstile is a bi-directional turnstile but with many new features and improved operation.

Tech Specifications

Throughput	15 people per minute
Duty Cycle	100%
Current	1 Amp @ 240 VAC
High Capacity Mechanism	Mechanical pawl and rollers non-reversible after 33°
Solenoid	12V DC
Battery back up when power fails is standard	Operates as normal for 3000 Operations

- ***Power Failure Options without battery back up
- Locked entry - free exit
 - Locked exit - free entry
 - Locked in both directions
 - Free wheel in both directions

*** These options must be specified when ordering and cannot be changed

PRICES | SPECIFICATIONS | DOCUMENTATION
ALL AVAILABLE ON OUR WEBSITE



SWING GATES

Our range of swing gate hardware is sourced from the best manufacturers in the world, with Locinox and D&D for pedestrian gates, Lynx and Cais for driveway gates.



PRICES | SPECIFICATIONS | DOCUMENTATION
ALL AVAILABLE ON OUR WEBSITE



LOCINOX



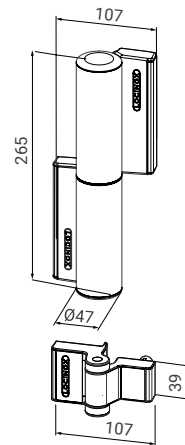
TIGER

180° self-closing hydraulic hinge with precise adjustments on speed and final snap. The aluminium powder coated housing and unique high-tech components allow the Tiger to function perfectly in any weather situation.

- Min10mm-max25mmgap
- For gates up to 75kg
- 15mm horizontal adjustment, 20mm vertical adjustment
- Use with minimum 50mm post, 40mm gate frame
- Sold as a set with closer + slave hinges
- Supplied with hollo bolt type fixings (15mm hole)

TIGER-9005	Self closing hinge pair in black p/c
CLB-TIGER	Round post adaptor kit

Dimensions:



LOCINOX

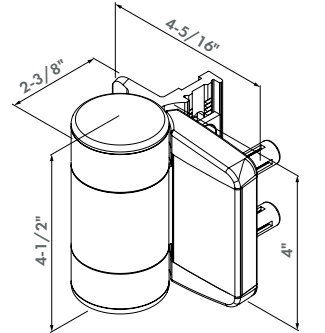


DINO HINGE

Compact 2-way adjustable, 180deg hinge with double bearings

DINO-BLK	180 deg hinge for 150kg gates in black p/c
-----------------	--

Dimensions:



LOCINOX



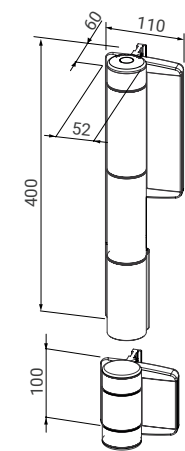
MAMMOTH

Elegant and powerful self-closing hinge for 180° gate situations. Mammoth is perfectly fit for gates up to 150 kg and 1500 mm wide. It is equipped with a double bearing for exceptional functionality.

- Min 10mm - max 25mm gate gap
- Silver powder coated aluminium body
- For gates up to 150kg
- 20mm horizontal adjustment, 20mm vertical adjustment
- Use with minimum 50mm post, 40mm gate frame
- Sold as a set with closer + slave hinges
- Supplied with hollo bolt type fixings (15mm hole)

MAMMOTH-180-BLK	Self closing hinge pair in black p/c
CLB-MAMMOTH	Round post adaptor kit

Dimensions:



LOCINOX

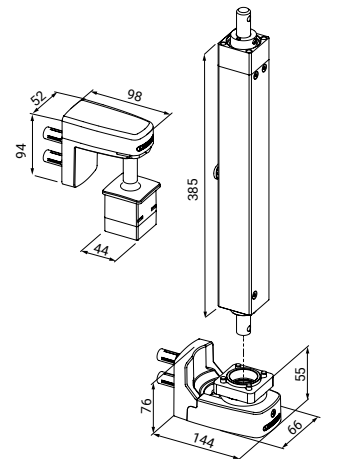


INTERIO

Interio closer fits inside the gate frame and is integrated with the hinges to create a powerful, secure and minimalist closer.

- 125deg self closing (use gate stop)
- Suits 50 SHS gate frames (3mm wall)
- For left and right turning gates
- Min 26mm - max 51mm gate gap

Dimensions:



LOCINOX

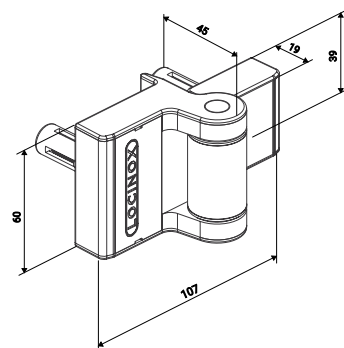


PUMA HINGE

Compact 2-way adjustable, 180deg hinge.

PUMA-BLK	180 deg hinge for 60kg gates in black p/c
-----------------	---

Dimensions:



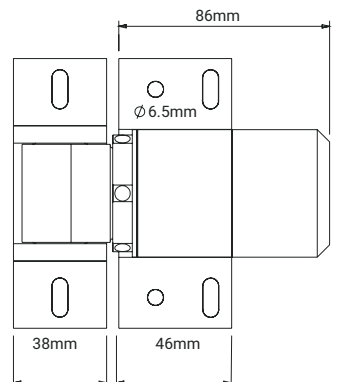
SURECLOSE RETRO FIT

Powerful hydraulic closer hinges for commercial pedestrian gates.

- Adjustable self-closing speed
- Adjustable final snap-close action and easy to install
- Self-closes gates up 120kg
- Gate gap 12 - 35mm
- Super-strong, UV stable anodised black aluminium body
- Gate stop **MUST** be installed to hinges with 90° opening (use gate stopper)

7400-1313	Slave hinge
7400-8323	< 80kg close hinge, 90°

Dimensions:





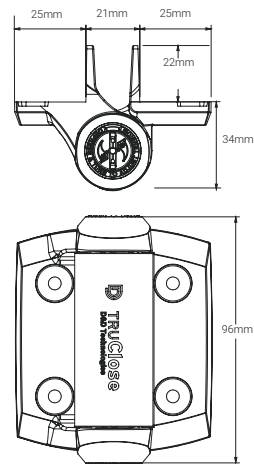
TRUCLOSE

Adjustable, self-closing hinges for pool & safety gates.

- For pool and safety gates install a hinge safety cap
- Quick and easy to install
- Self-closes gates up to 30kg
- Simple, adjustable closing tension
- Super-strong, UV stable polymer and stainless-steel construction so it will never rust or stain

TCA1-L2-S3BT	Regular (Dimension shown)
TCA1-S3BT	No Legs
TCA2-L2-S3BT	Metal to Wood
TCA3-L2-S3BT	Wood to Wood
TCA-CAP-S3	Anti-scale Cap

Dimensions:



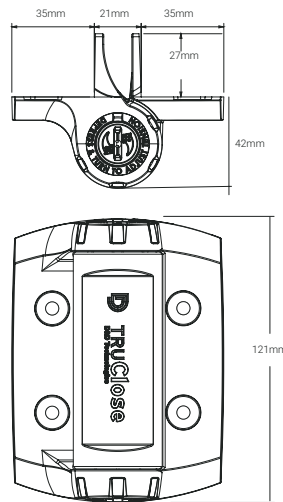
TRUCLOSE HD

Adjustable, self-closing hinges for pool & safety gates.

- For pool and safety gates install a hinge safety cap
- Quick and easy to install
- Self-closes gates up to 70kg
- Simple, adjustable closing tension
- Super-strong, UV stable polymer and stainless-steel construction so it will never rust or stain

TCHD-1A-L2-S3BT	Regular (Dimension shown)
TCHD-1A-S3BT	No Legs
TCHD-1L2-S3BT	Metal to Wood
TCHD-2L2-S3BT	Wood to Wood
TCHD-RND1-MK2	Round Posts
TCHD-CAP-S3	Anti-scale Cap

Dimensions:

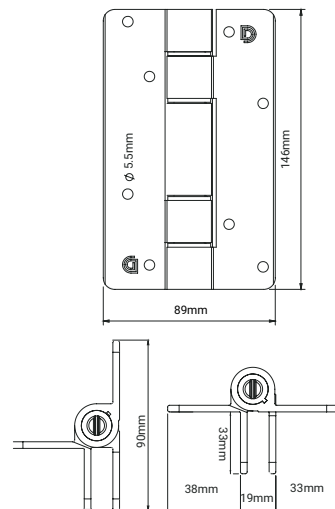


KWIKFIT ALUMINIUM

The legs of this hinge can be flattened to allow the hinge to be wall mounted. Great for that gate on the side of the house where space is limited.

KF3-ABL-PR	Wall Hinge
-------------------	------------

Dimensions:



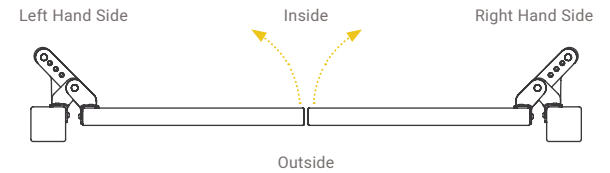
RISING HINGE

Designed for automated swing gates on driveways of up to 10 deg slope.

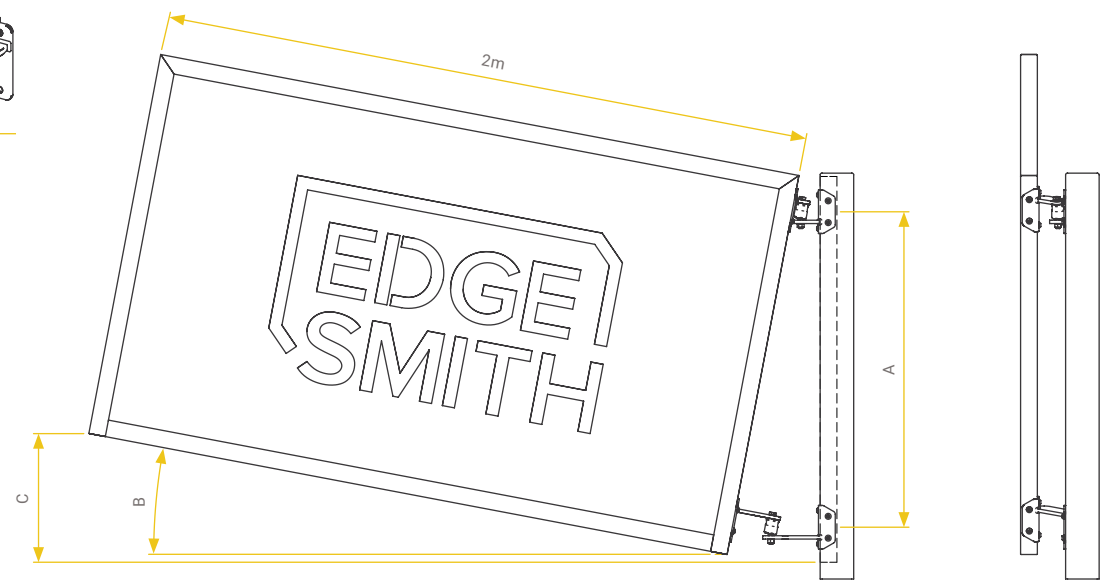
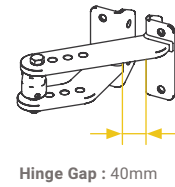
- Stainless steel ball sockets are secured in set holes along the bottom bracket so that the lift is adjustable
- Suits gates of 120kg per leaf.

RH-RHS DINO-BLK	Right Hand Side 120kg/Leaf
RH-LHS	Left Hand Side 120kg/Leaf

*Notes: Fasteners not included.



Dimensions:

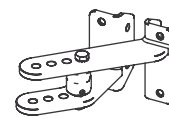


AMOUNT OF RISE for 2M Gate (C) (mm)

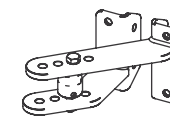
A	Hole 1	Hole 2	Hole 3	Hole 4
0.8m (1mH)	192	282	372	462
1.0m (1.2mH)	154	226	298	371
1.3m (1.5mH)	119	174	229	286
1.6m (1.8mH)	96	141	187	233
1.8m (2mH)	86	125	166	207

DEGREES OF RISE (B)

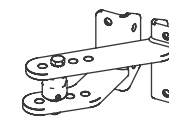
A	Hole 1	Hole 2	Hole 3	Hole 4
0.8m (1mH)	5.36	7.78	10.2	12.6
1.0m (1.2mH)	4.29	6.23	8.17	10.1
1.3m (1.5mH)	3.3	4.79	6.29	7.78
1.6m (1.8mH)	2.68	3.9	5.11	6.32
1.8m (2mH)	2.38	3.46	4.54	5.62



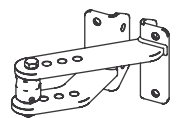
Lower Hinge Hole 1



Lower Hinge Hole 2



Lower Hinge Hole 3



Lower Hinge Hole 4





REBATE BEARING HINGE

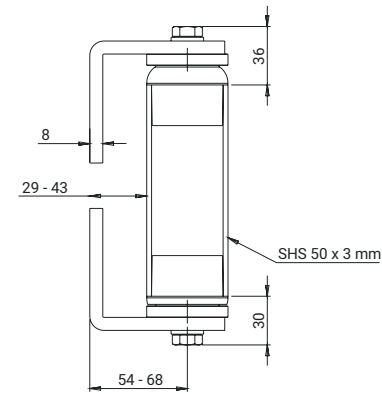
Rebate bearing hinges knock into the frame of the gate to give a clean elegant look. The top hinge has a sealed ball bearing and a rounded cap for water run-off. The bottom hinge has a tapered thrust bearing to properly support the gate.

- Rated to 300kg per pair (1x1 gate)
- Uses M8 fixings

RBH-50A <300kg Gate

***Notes:** Suits 50x3mm frame

Dimensions:

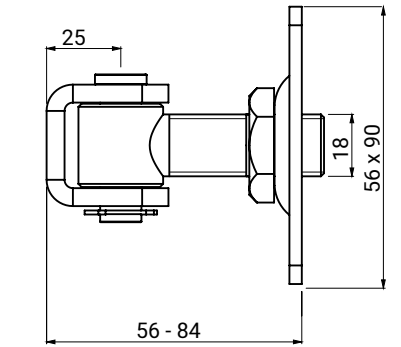


BOLT ON PINTLE HINGE

The U-bracket is supplied in black steel and designed to be welded to the gate prior to hot-dipping. The hinge requires a 19mm thru hole in the post to allow for gate gap adjustment. Fixed to the post using 4x M8 bolts.

HP-18R <200kg gate

Dimensions:

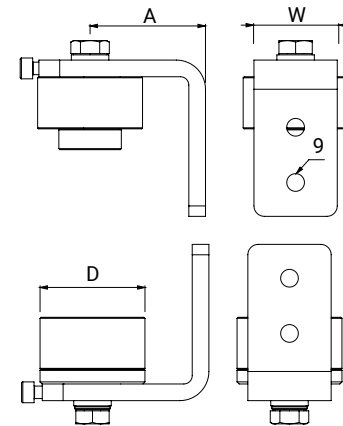


BEARING HINGE

The top hinge has a pin that is welded to the gate frame and runs in a sealed ball bearing. The bottom hinge has a tapered thrust bearing to properly support the gate. The 50mm hinge has 2 fixing holes and the 70mm hinge has 4 holes.

	D	W	A	Gate
ABB-50-S	50	40	50-65	350kg
ABB-70-S	70	60	50-65	500kg

Dimensions:

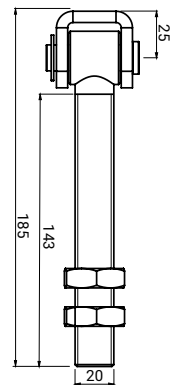


THRU POST PINTLE HINGE

The U-bracket is supplied in black steel and designed to be welded to the gate prior to hot-dipping. The hinge requires a thru hole in the post to allow for gate gap adjustment.

HL-20 <300kg gate

Dimensions:

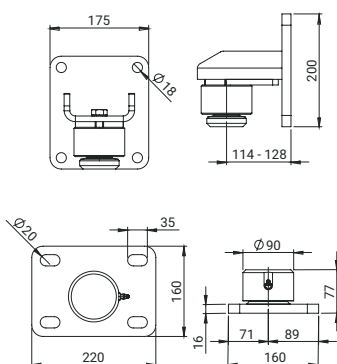


BIG BEARING HINGE

These are BIG hinges for industrial swing gates. The top hinge has a pin that is welded to the gate frame and runs in a sealed ball bearing. The bottom hinge has a tapered thrust bearing to properly support the gate. A grease nipple ensures that the thrust bearing is properly lubricated.

BBH-90-S <1400kg gate

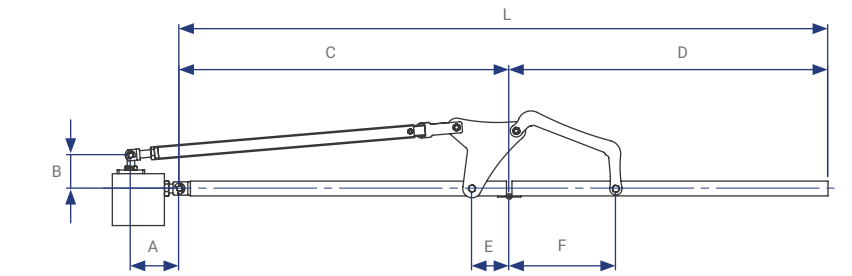
Dimensions:



BI-FOLD GATE KIT

TWINDRIVE-D	Double (for max 6m opening)
TWINDRIVE-S	Single (for max 3m opening)

Dimensions:



L Max.	A	B	C	D	E	F
3000mm	130mm	90mm	Max 1500mm	300-1250mm	100mm	250mm





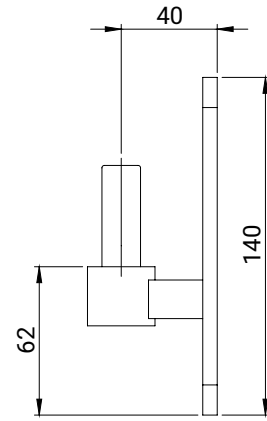
SCREW PLATE GUDGEON - MEDIUM

Medium weight Screw Plate Gudgeon for gates up to 200kg.

- 50mm wide plate
- 4x m8 bolts for fixing (supplied separately)
- Hot Dip Galvanised

GSP16S	16mm pin
---------------	----------

Dimensions:



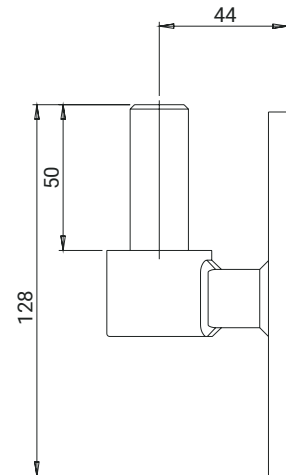
SCREW PLATE GUDGEON - HEAVY

Medium weight Screw Plate Gudgeon for gates up to 300kg.

- 80mm wide plate
- 4x m8 bolts for fixing (supplied separately)
- Hot Dip Galvanised

GSP20S	20mm pin
---------------	----------

Dimensions:



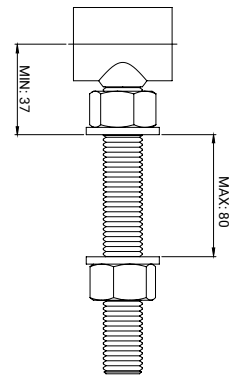
ADJUSTABLE SOCKET

Adjustable socket for use with Screw Plate Gudgeons.

- 120mm long with an M16 threaded rod.
- Suits frames of up to 75mm wide
- Hot Dip Galvanised

SA16-120x16	<200kg gate, suits 16mm dia pin
SA20-120x16	<300kg gate, suits 20mm dia pin

Dimensions:



LOCINOX



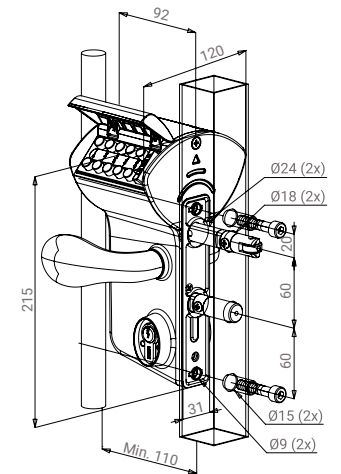
VINCI MECHANICAL CODE LOCK

High quality mechanical code lock with aluminium housing and stainless steel mechanism. A solid stainless-steel deadbolt with a 23 mm throw guarantees a secure locking.

- Black powder coated lock box
- Key locking disables the code unlock functionality on double sided lock
- Free exit lock is also keyless
- 20 mm adjustability of the bolt length allows it to be used on 40-60mm gate frames.
- Supplied with aluminium handle

LMKQ-4040-BLK	Double sided code lock
LFKQ-4040-BLK	Single sided code lock (free exit)
3006-PUSH	Exit push handle (optional for use with free exit lock)

Dimensions:



LOCINOX



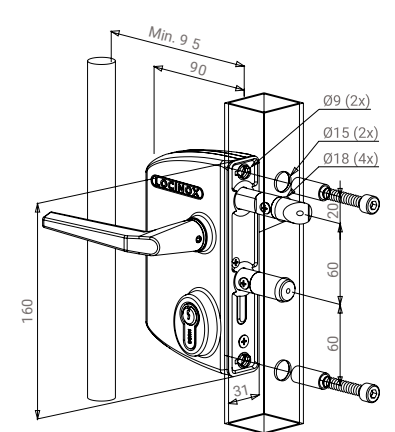
SURFACE MOUNTED GATE LOCK

High quality gate lock with aluminium housing and stainless steel mechanism. We recommend this lock as a standard for all your industrial gates.

- A solid stainless-steel deadbolt with a 23 mm throw guarantees a secure locking.
- Black powder coated lock box
- 20 mm adjustability of the bolt length allows it to be used on 40-60mm gate frames.
- Supplied with aluminium handle

LAKQ-4040-BLK	Standard lock
LPKQ4040-U2	Complete lock with exit push handle. Fire egress compatible.
3006-PUSH	Exit push handle (optional for use with free exit lock)
3019-LA	Round post adaptor plate (for 32nb gate frames)

Dimensions:



LOCINOX



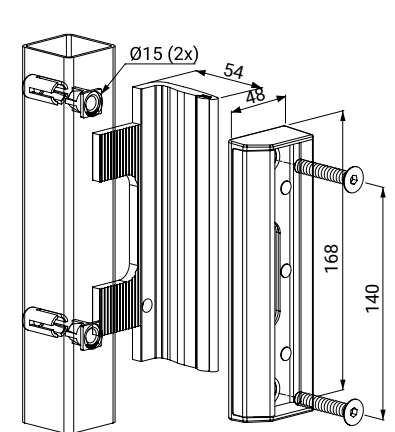
STRIKER KEEP

Stainless steel keep with extruded aluminium stop plate and rubber impact strip. Supplied with hollo bolt type fixings.

- Powdercoated black
- Adjustable for gates with 40-60 SHS frames
- Easy left or right changing

SAKL-9005-QF2	Swing gate security keep
SHKL-9005-QF2K	Swing gate high security keep
3018-LA	Round post adaptor (plate for 50nb post)

Dimensions:





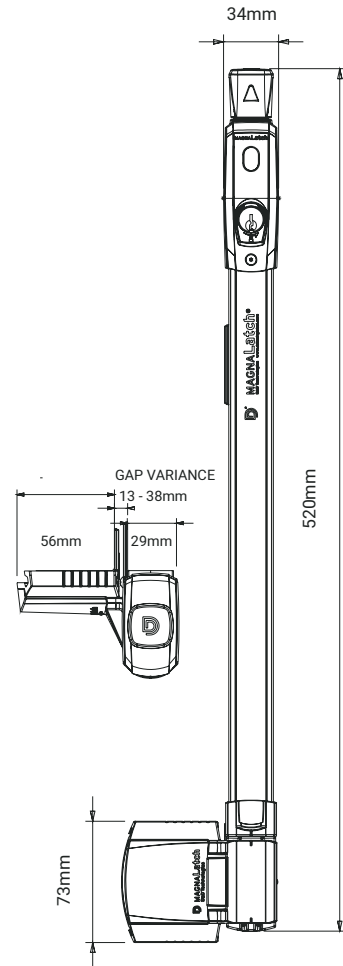
MAGNALATCH TOP PULL ALERT

The world's most trusted child safety gate latch now has an audible alarm that sounds when the gate is opened or left unlatched. This product is a must have for commercial child care.

- Pool safety code compliant
- Rekeyable 6 pin lock cylinder
- Vertical and horizontal adjustment to allow for gate sag.
- Made from UV-stable polymers and stainless steel
- Recommended to be used with a gate stop (p.16)
- Ideal gate gap 19mm (gap variance 13mm-38mm)

ML-3A-TPLA	Audible and visual alarm
-------------------	--------------------------

Dimensions:



MAGNALATCH TOP PULL

The world's most trusted gate latch for pool safety and child care. Powerful magnets ensure that this latch will always close and the patented lost motion technology ensure that it cannot be locked open.

- Pool safety code compliant
- Rekeyable 6 pin lock cylinder
- Vertical and horizontal adjustment to allow for gate sag.
- Made from UV-stable polymers and stainless steel
- Recommended to be used with a gate stop (p.16)
- Ideal gate gap 19mm (gap variance 13mm-38mm)

ML-3A-TPLA	Top pull
MT-STDK-S3-LA	Top pull + no-leg hinges
MT-STDK-S3-LLA	Top pull + regular hinges
ML-3-RPAK	Round post adapter kit



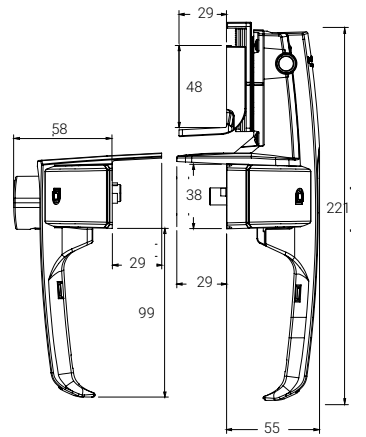
LOKKLATCH MAGNETIC

Magnetic Push/Pull gate lock made from UV-stable polymers and stainless steel. The magnetic cam-latching mechanism makes it suitable for privacy gates and double swing gates.

- Operates and locks from both sides of the gate
- Re-keyable 6pin lock cylinder
- Magnetic actuation of the lock mechanism.
- Ideal gate gap = 20mm

LL-MLD-BT	Double sided rekeyable
------------------	------------------------

Dimensions:



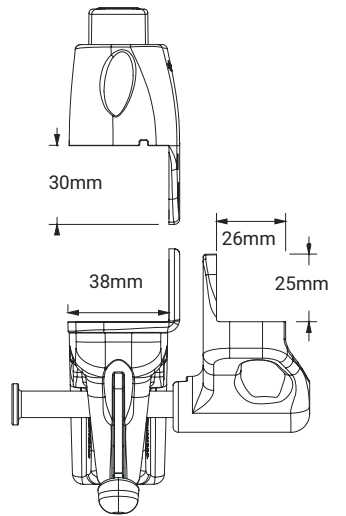
LOKKLATCH REGULAR

General purpose gate latch for residential home and garden gates. Made from UV-stable polymers and stainless steel.

- Quick and easy installation.
- Wafer key cylinder (not rekeyable)
- Optional external access button
- Note that locking the external access button does not lock the main latch.
- Ideal gate gap = 20mm

LL-AA	Single sided
LL-AAB	With exit push button

Dimensions:



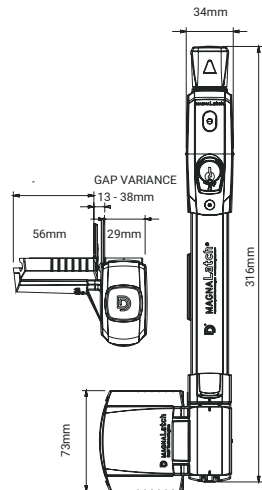
MAGNALATCH VERTICAL PULL

A shorter version of the Top pull for pedestrian gates. Powerful magnets ensure that this latch will always close and the patented lost motion technology ensure that it cannot be locked open.

- Pool safety code compliant
- Rekeyable 6 pin lock cylinder
- Vertical and horizontal adjustment to allow for gate sag.
- Made from UV-stable polymers and stainless steel
- Recommended to be used with a gate stop (p.16)
- Ideal gate gap 19mm (gap variance 13mm-38mm)

ML-3-VPLA	Short top pull
------------------	----------------

Dimensions:



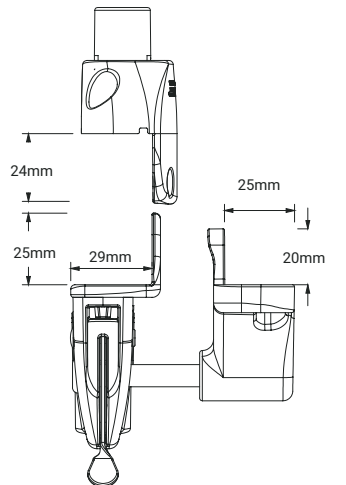
LOKKLATCH DELUX

Security gate latch for residential or commercial pedestrian gates. Made from UV-stable polymers and stainless steel.

- Re-keyable 6 pin lock cylinder
- External push button also locks the main latch
- Suits timber or metal posts of up to 150mm
- Ideal gate gap = 20mm

LL-DAB-S2-L	Rekeyable with exit push button
--------------------	---------------------------------

Dimensions:





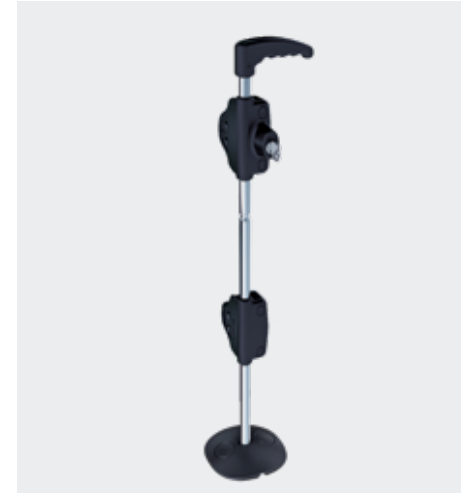
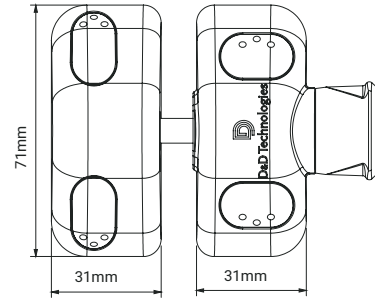
MAGNALATCH SIDE PULL

General purpose gate latch with a small footprint and minimalist styling. Made from UV-stable polymers and stainless steel.

- Able to be used in either direction.
- Super reliable magnetic latching.
- Meets NZ and Aus standards for pool gate latches
- Ideal for glass pool gates
- Ideal gate gap = 10mm

ML-SPS2	Regular
ML-SPS2-L	Lockable

Dimensions:



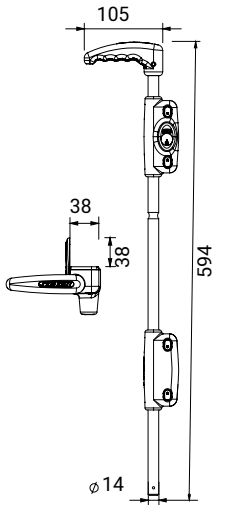
LOKKBOLT

High quality key lockable security drop bolt. Made from UV-stable polymers and stainless steel.

- Rekeyable powder coated lock box
- 14mm solid stainless steel bolt
- Moulded polymer handle and fixing brackets
- Optional base plate

LB-124BX-LA	Drop bolt
LB-BPBG	Base Plate

Dimensions:



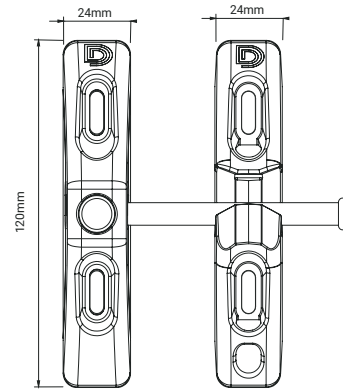
TOGGLE LATCH

Simple and effective gate toggle latch that automatically compensates for gate sags. Made from UV-stable polymers and stainless steel.

- Padlockable with handy built in lock storage.
- Can be used on very narrow gate frames.
- Long toggle bolt allows for gate gaps of up to 50mm
- Ideal gate gap = 19mm

TL01	Padlock not included
-------------	----------------------

Dimensions:



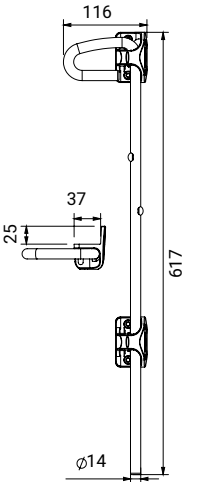
Q-BOLT

Stainless steel drop-bolt in black powder coated with tough moulded polymer mounting system.

- Padlockable; with padlock storage feature
- Bolt length: 610mm

QB-124	Padlock not included
---------------	----------------------

Dimensions:



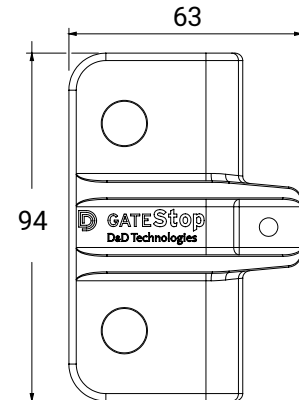
GATE STOP

A gate stop protects your latch from damage and massively increases its life. This is strongly recommended for self closing gates and a must have to commercial child care safety gates.

- Tough durable construction from uv-stable polymers
- Soft rubber insert helps to reduce gate slam noise
- Fixed on front and side for added strength
- Recommended to be installed with all magnalatch top pulls

TC-GS3	With rubber insert
---------------	--------------------

Dimensions:



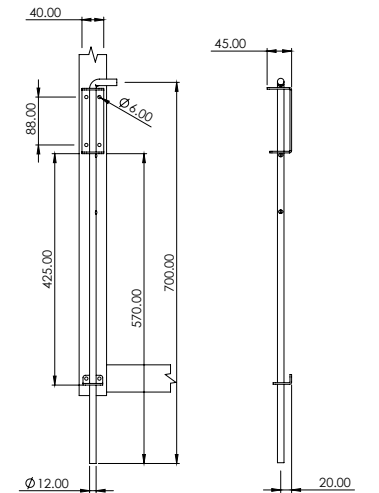
DROP BOLT FOR SQUARE FRAME

Drop bolt and slide plate.

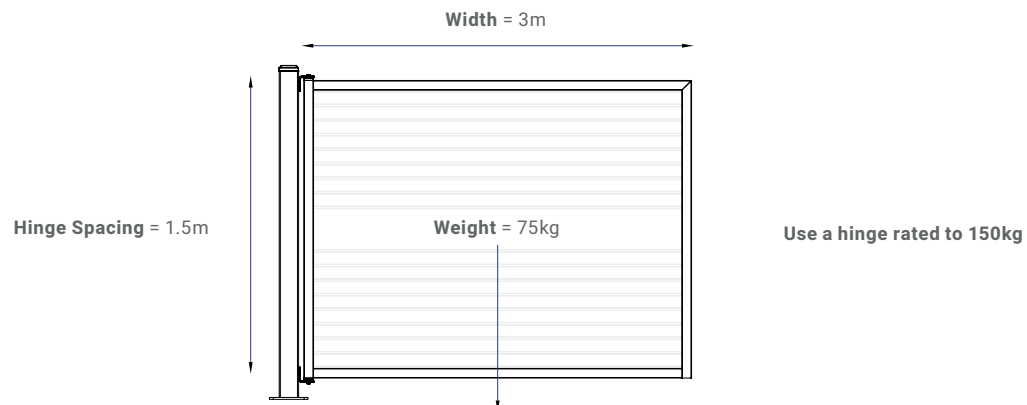
- Padlockable; with padlock storage feature
- Bolt length: 700mm

DB12X700F	12mm dia, 700mm long
DB14X300F	14mm dia, 300mm long

Dimensions:



LEARNING: HINGE RATINGS AND HOW TO CHOOSE THE RIGHT SIZE POST & HINGES



HINGE RATING

Gate-smithing tips

- Hinges are rated for a gate with equal height and width. Wider gates put more force on the hinges and mean you should multiply your actual gate weight by a geometry factor to calculate the Effective Gate Weight. Use the table below as a guide and contact us if you have any questions.

Height to width	1:1	1:1.5	1:2	1:2.5	1:3
Factor	1	1.5	2	2.5	3



STEEL POSTS

M8 x 35 STS - Self threading screws form their own thread and are stronger than a tapped thread in wall thickness up to 3mm.

Use a 7.3mm drill for M8 self-threader.



CONCRETE POSTS

M8 x 45 MS - Chem-set Threaded Insert

POST AND FIXING

Gate-smithing tips

- Many a nice gate is let down by being swung from too light a post. Use the table below to determine your post size. Use a wall flange where possible. And for concrete in posts make sure your hole size and reinforcing are sufficient for your soil type.

Weight per leaf	40kg	50kg	100kg	200kg	300kg
Post	65x3mm	75x3mm	100x3mm	150x5mm	200x5mm

- We recommend self-threading M8 security screws for attaching to steel posts and chem-set threaded inserts with M8 security Machine screws for concrete pillars. Never use tek screws to fix your hinge to the post.



SLIDING GATES

Our range of sliding gate hardware is sourced from the best manufacturers in the world, Locinox for gate locks, Lynx and Cais for wheels and guides.

LOCINOX

LYNX
HARDWARE

CAIS

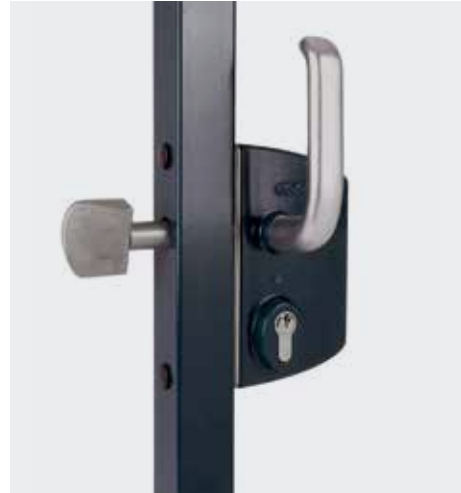
PRICES | SPECIFICATIONS | DOCUMENTATION
ALL AVAILABLE ON OUR WEBSITE



PRICES | SPECIFICATIONS | DOCUMENTATION
ALL AVAILABLE ON OUR WEBSITE



LOCINOX

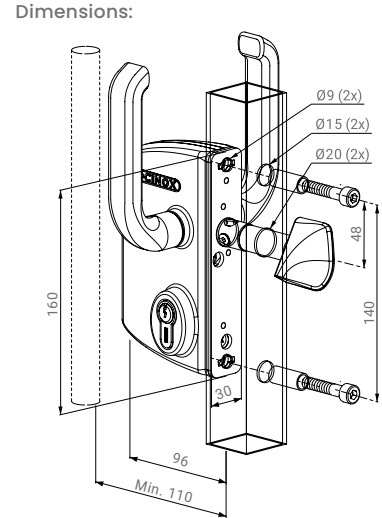


SLIDING GATE LOCK

High quality lock with aluminium housing and stainless steel mechanism for manual sliding gates. The unique Twistfinger and conforming auto-correcting keep guarantees a perfect closing of your sliding gate.

- Three sizes: for 50, 60 or 75mm gate frames
- Black powder coated lock body

LSKZ-5050-BLK	Suits 50shs frame, black p/c
LSKZ-6060-BLK	Suits 65shs frame, black p/c
LSKZ-8080-BLK	Suits 75shs frame, black p/c



LOCINOX

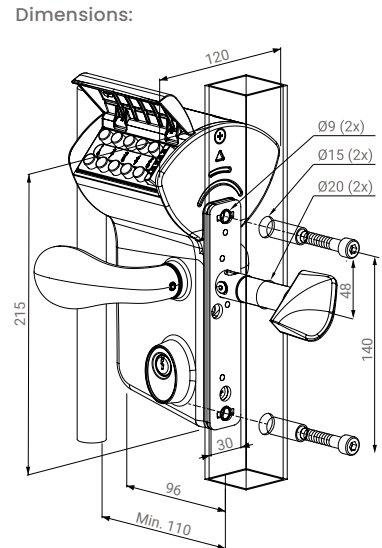


SLIDING GATE CODE LOCK

Premium mechanical code lock with aluminium housing and stainless steel mechanism for manual sliding gates. Because no electricity or batteries are required, this system gives you the opportunity to equip any sliding gate fast and easily with access control. The unique Twistfinger and according auto-correcting keep guarantees a perfect aligned closing of your sliding gate.

- Suits 50mm gate frames
- Black powder coated lock body

LLKZ-5050-BLK	Suits 50shs gate frame, black p/c
----------------------	-----------------------------------



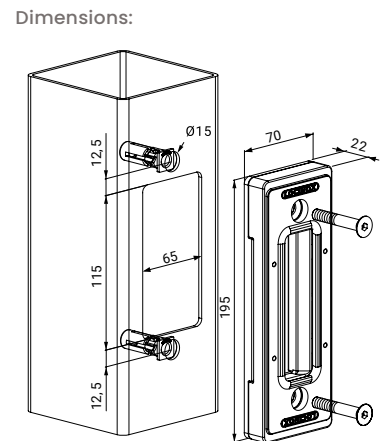
LOCINOX



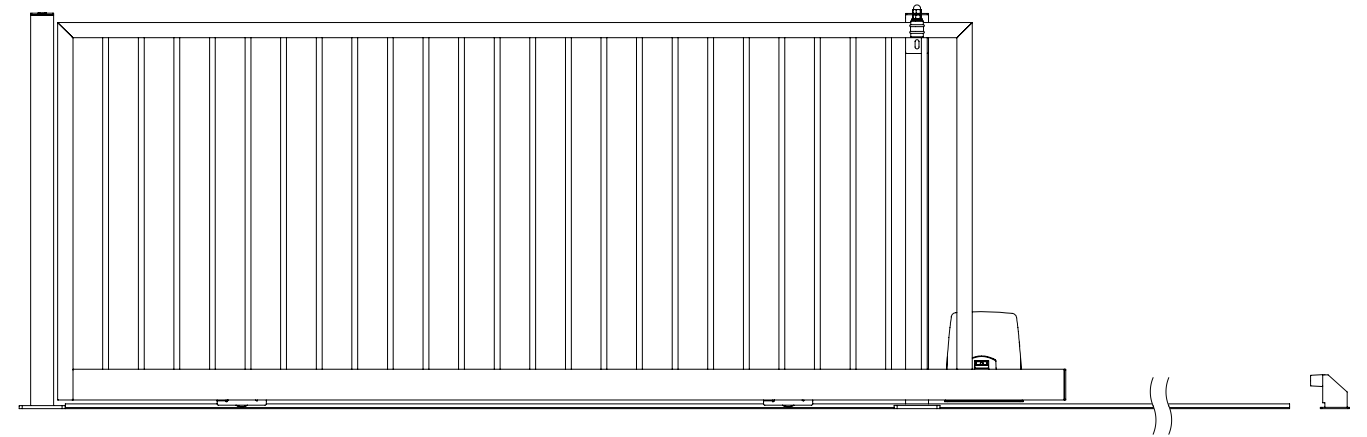
STRIKER KEEP

Self-adjusting stainless-steel sliding gate keep. 9mm horizontal float in either direction. Supplied with hollow-bolt type fixings

SSKZ-QF	Striker Keep for sliding gate locks
----------------	-------------------------------------



LEARNING: CHOOSING THE RIGHT WHEELS AND GUIDES



GATE WHEELS

Gate-smithing tips

The two main considerations in choosing a gate wheel are **clearance** and **capacity**. Larger diameter wheels roll better across a bumpy track and double bearings give them a higher load capacity.

- **Undergate Wheels** are easy to fit but often have too much clearance. And if the bolts fall out the wheels will fall off. ALWAYS use loctite on the bolts.
- Rebate wheels are far more secure as they sit inside the gate frame and the weight of the gate keeps them in-place.
- **Low Profile Rebate Wheels** look great on an architecturally styled residential gate. But more than 20mm of camber in the driveway will leave your gate scraping on the ground.
- **High Clearance Rebate Wheels** allow for up to 50mm of driveway camber and are an excellent option for commercial or residential gates being more secure than undergate wheels while still having plenty of clearance.
- Four wheels on a gate doesn't double their capacity. Unless the driveway is dead level then only two wheels will be carrying the load while the other two are slightly off the ground at all times.
- **High Clearance Double Rebate Wheels** feature a pivoting rocker plate that distributes the load evenly across both wheels. They have high capacity, are very secure and have good clearance. We recommend them for all long industrial gates.

GUIDE SYSTEMS

Gate-smithing tips

Choice of guide system depends on whether the gate has a flat top, if it is raked, the speed of the automation and whether the pickets protrude from the front of the frame. All guide systems should be designed so that the gate can never fall over - even if the rollers come loose.

- **Bearing Rollers** should be used for high-speed automated gates. Standard rollers tend to have too much friction and end up dragging and marking the gate.
- **O-Ring Rollers** grip the gate and reduce rub marks. A must have if you are concerned with the paint job!
- **Angle Guides** welded to the back of the gate allow it to be guided from one side. If the gate has a curved top or pickets that protrude from the front then an angle guide will be needed.
- **Truglide Blocks** are a very tidy way to guide a residential aluminium gate - especially on sloping ground. They need an angle guide on the back of the gate and move up and down a channel guide. Do not use them with galvanised gates - they will be torn up very quickly.
- **Rub Strips** are a super simple way to guide a small residential gate.





LYNX
HARDWARE

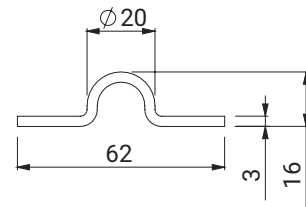


TRACK

Sliding gate track with a 20mm round profile in 3mm thick galvanised steel.

TSU-3000-20	3m long
TSU-6000-20	6m long

Dimensions:



CAIS

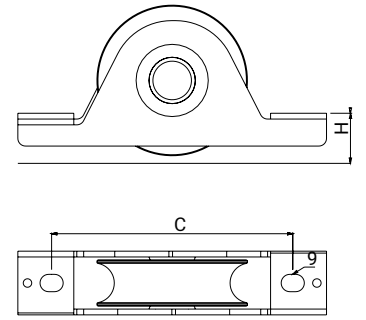


LOW CLEARANCE REBATE WHEELS

Low clearance rebate wheels have 15-20mm of clearance from the bottom of the gate to the top of the track.

	D	H	C	Gate
WSO-924-B2	90	33	125	600kg
WSO-1228-B2	120	40	150	800kg

Dimensions:



LYNX
HARDWARE

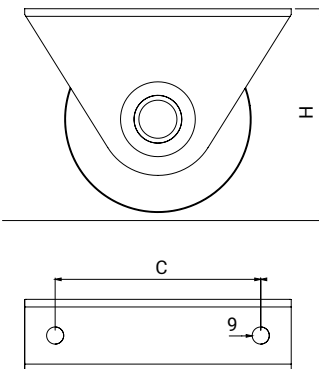


UNDERGATE WHEELS

Under gate wheels are a great option for long industrial gates where there may be higher camber for drainage or heavy truck usage may affect track straightness over time.

	D	H	C	Gate
WTO-625	60	70	65	200kg
WU-80	80	89	70	400kg
WU-100	100	112	105	600kg

Dimensions:



LYNX
HARDWARE

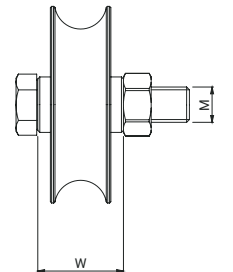


BOLT-ON WHEELS

Bolt on wheels can be used with slotted side plates and provide a very flexible option for custom gate designs.

	D	W	M	Gate
WB-100	100	34	12	700kg
WB-120	120	40	12	900kg
WB-80	80	27	10	400kg

Dimensions:



LYNX
HARDWARE

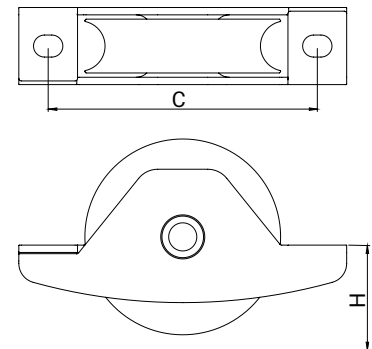


HIGH CLEARANCE REBATE WHEELS

High Clearance rebate wheels have 30mm of clearance from the bottom of the gate to the top of the track.

	D	H	C	Gate
WR-80	80	43	110	400kg
WR-100	100	53	130	800kg

Dimensions:



LYNX
HARDWARE



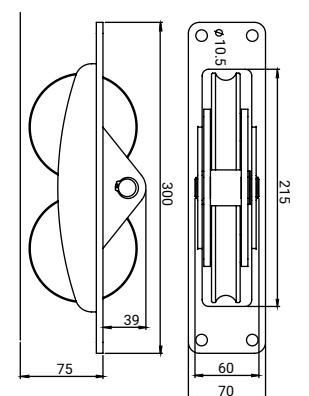
DOUBLE REBATE WHEELS

Double rebate wheels are the ideal way to roll a large sliding gate. These are much stronger than simply mounting two wheels due to the pivot plate which spreads the load evenly across both wheels.

- Pivoting rocker mechanism ensures that both wheels carry equal load - even across a bumpy track.
- Rebated mounting means wheels are held in place with the weight of the gate
- High clearance allows for up to 60mm of camber in the driveway

WRD-100	<1400kg gates
----------------	---------------

Dimensions:



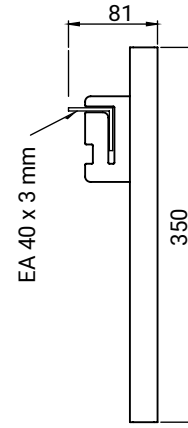


TRUGLIDE

Truglide is a great guide for aluminium gates running on sloping ground. The guide block slides up a channel attached to the post and along an angle guide attached to the gate.

TRUGLIDE-350 Guide for raked aluminium gates

Dimensions:

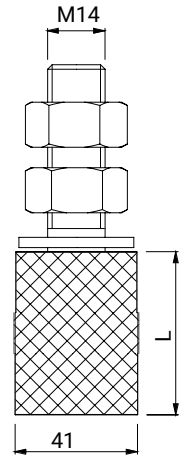


NYLON ROLLERS

From 60mm right through to 250mm long these rollers can be used with a custom bracket or a Lynx double roller bracket.

NR-41.060	60mm long nylon roller
NR-41-150	150mm long nylon roller
NR-41-250	250mm long nylon roller

Dimensions:

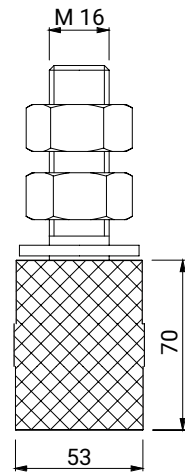


BEARING ROLLER

Industrial grade nylon rollers with stainless steel bearings and shaft. Perfect for industrial gates.

NRB-53.70.SS 53mm Nylon bearing roller

Dimensions:

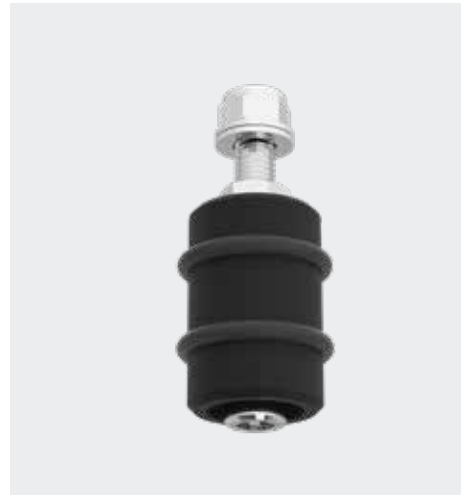
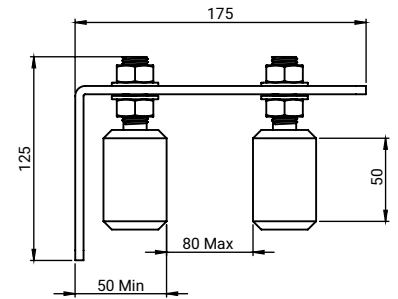


DOUBLE ROLLER ASSEMBLY

Brackets with 2 rollers to suit Lynx guide rollers.

B175-HD	Bracket only (HDG steel)
NR2-41.60-B175	Bracket including 2x 41mm rollers

Dimensions:

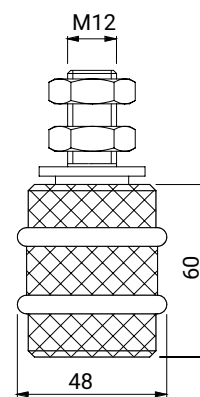


BEARING O-RING ROLLER

Commercial grade nylon rollers with stainless steel bearings. Replaceable rubber O-rings grip the gate and reduce marking. Perfect for residential gates.

NRB-40.60.SS 48mm O-Ring bearing roller

Dimensions:

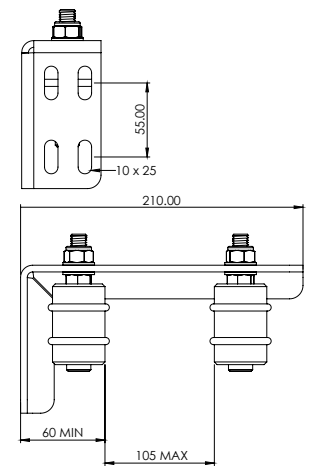


HEAVY DUTY OVERHEAD GUIDE ROLLER BRACKET

The Heavy Duty Overhead Guide Roller Bracket is suitable for gates of up to 100mm wide frames and is used in conjunction with Lynx Stainless Steel Bearing O-Ring Rollers.

B205-HDG	Bracket only (HDG steel)
NR2-41.060SS-B205	Bracket including 2 x O-ring rollers

Dimensions:



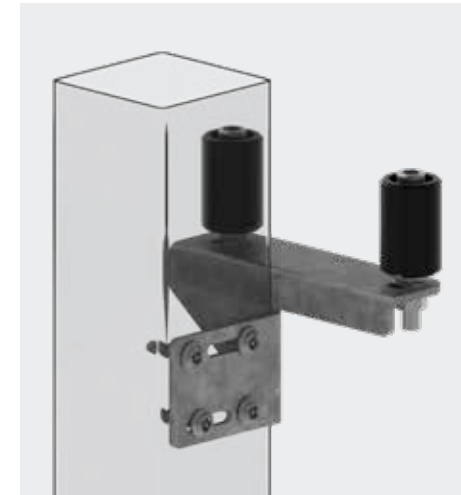
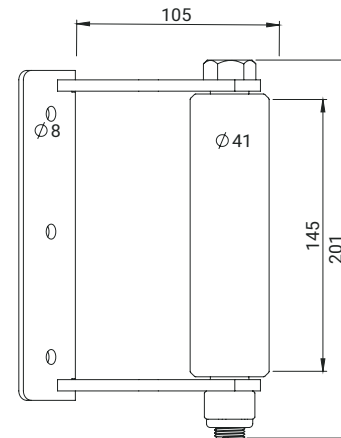


ROUND POST GUIDE

Suits 80nb post. HDG Steel.

NR1.41.150-R	Guide bracket with 150mm roller
---------------------	---------------------------------

Dimensions:



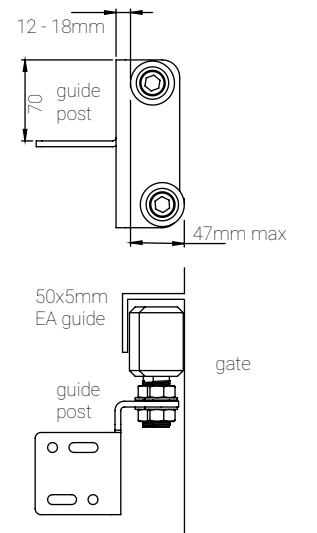
ANGLE GUIDE WITH BEARING ROLLERS

For use on steel gates with an angle guide. The bracket mounts to the side of the post with its double guide rollers fitting inside the gates angle guide.

Compatible with 50 x 50 equal angle (or bigger if using larger rollers)

AGRB-HD	Bracket only (HDG steel)
NR2-AGRB	Bracket including 2x 41mm rollers

Dimensions:

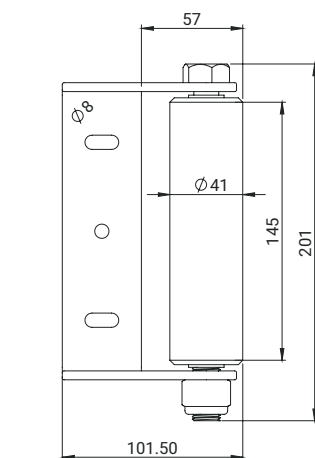


SQUARE POST GUIDE

Suits square posts. HDG Steel.

NR1.41.150-F	Guide bracket with 150mm roller
---------------------	---------------------------------

Dimensions:

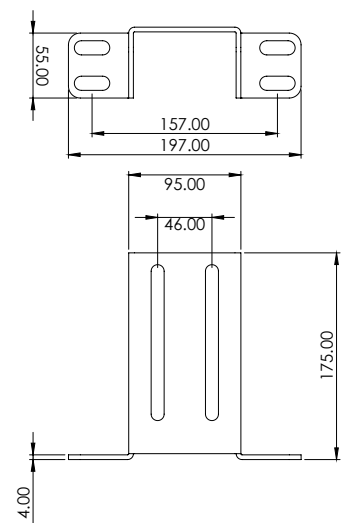


PARK END CATCH BRACKET

Park Bracket is a convenient offset bracket for mounting catches and end cups. It can be mounted horizontally to a 100shs post or vertically directly to the concrete pad.

PARK-175	175mm long
PARK-245	245mm long

Dimensions:



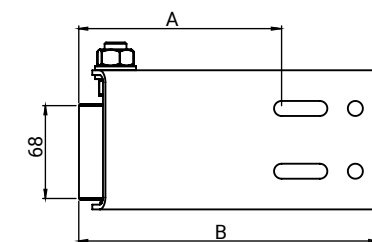
BOX GUIDE

Ideal for industrial sliding gates with hoop posts. Guide mounts to the post.

Bracket with 53 x 70mm nylon bearing roller

	A	B
BK-NRB-65	80	115
BK-NRB-125	146	220

Dimensions:

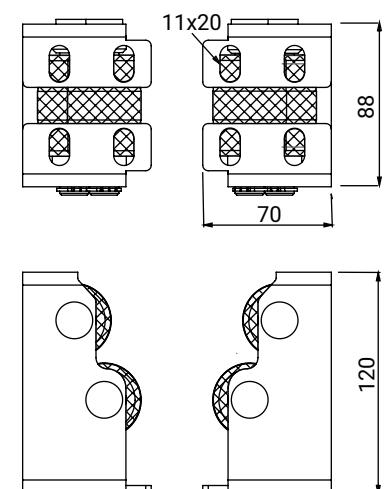


END ROLLER CATCHER

Roller catches guide the gate home while minimising scratching to the frame. These can be mounted on an end catcher bracket or between the uprights of a set of hoop posts.

PADDOCK-4	Pair of guide brackets with 2 rollers each
------------------	--

Dimensions:





LYNX
HARDWARE

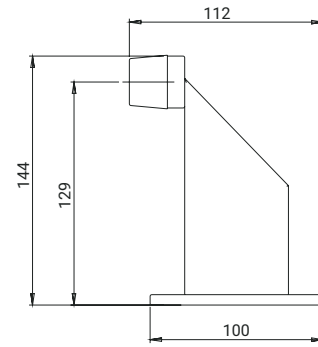


END STOP

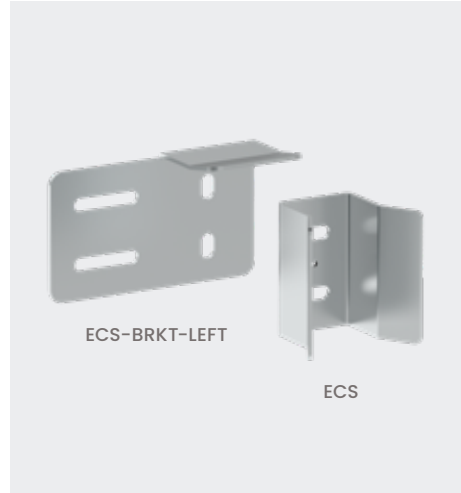
End stops should be securely fixed to the ground to prevent your gate running of the track.

ESS-B	Bolt on
ESS-W	Weld on

Dimensions:



LYNX
HARDWARE

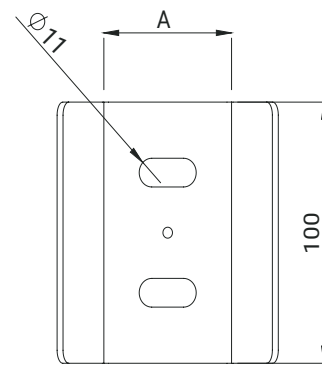


END CATCH

Sliding Gate End Catches are attached to the post at the end of your gate and retain it in the closed position. Consider attaching it to the post using an Anti-Theft Bracket which prevents the gate from being lifted off the track.

ECS-55	50mm frame	A = 56mm
ECS-65	65mm frame	A = 68mm
ECS-75	75mm frame	A = 82mm
ECS-100	100mm frame	A = 115mm
ECS-BRKT-L	Anti-theft bracket Left	
ECS-BRKT-R	Anti-theft bracket Right	

Dimensions:



LYNX
HARDWARE

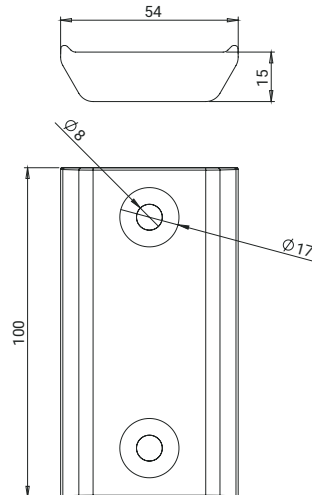


GATE NOSE

A gate nose protects the powder coat finish of your gate.

GATE-NOSE	50mm frame
------------------	------------

Dimensions:



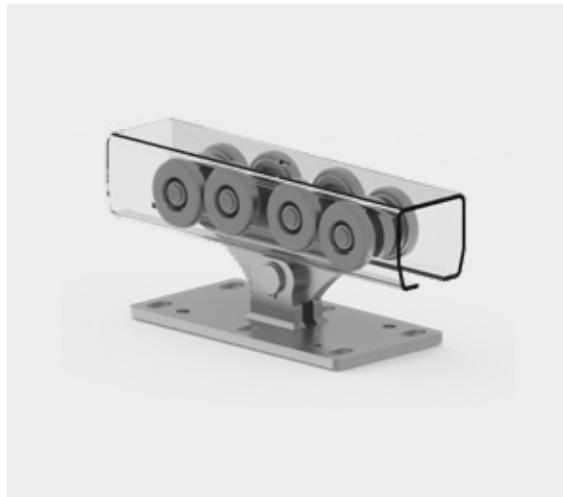
CANTILEVER GATES

We stock Cais cantilever hardware for medium and large steel gates and Tonkatrak hardware for smaller aluminium gates.



MEDIUM CANTILEVER GEAR

Steel Cantilever Gate systems are where CAIS made their reputation and the cantilever track production is at the heart of their operation.



CARRIAGE (MEDIUM)

Eight wheels spread the load across the top and bottom of the monorail track and minimise rocking.

SPEED-M	8 wheel carriage, M size
----------------	--------------------------



TRACK (MEDIUM)

CAIS track is made with a slow rolling process to remove memory in the steel and make sure it doesn't spring open when cut. It also has holes punched so it can be bolted to the gate frame - great if your gate is aluminium!

STAGE-MZ3	Galvanised track, 3m long
------------------	---------------------------

STAGE-MZ6	Galvanised track, 6m long
------------------	---------------------------



END CUP (MEDIUM)

Support your gate and protect it in open and closed.

LAST-M	End cup
---------------	---------

Can use with PARK-175 bracket (see page 75)



END WHEEL, END CAP (MEDIUM)

An end wheel allows the gate to ride up onto the cup even if it has a little sag.

RUN-M	End wheel
--------------	-----------

PILOT-M	End cap
----------------	---------

Enhanced design and superior production from the Czech Republic using high quality German steel.

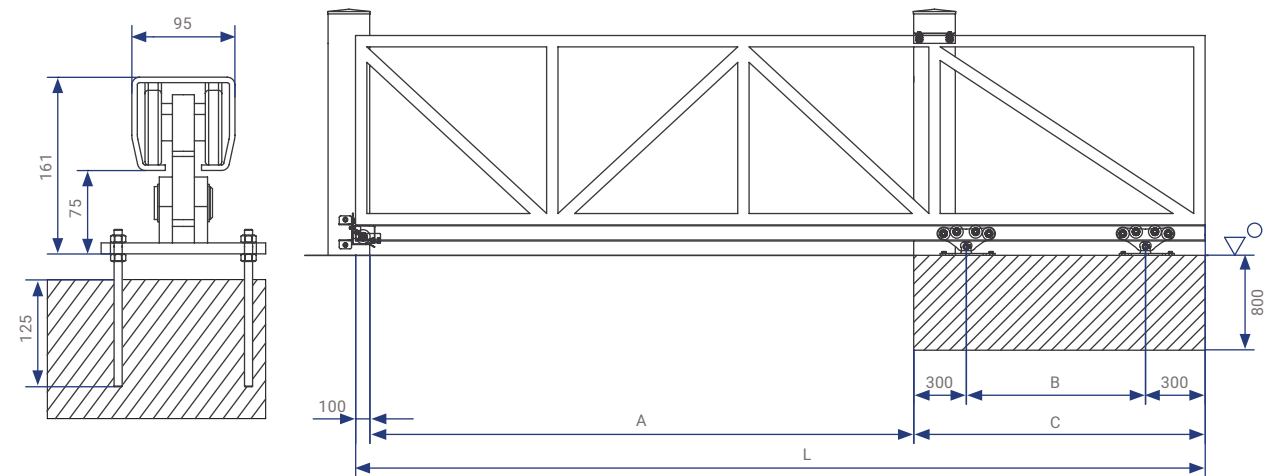
Formed from high quality, heavily galvanized, German steel in an 18 stage process with a slow rolling speed to reduce heat build-up and memory. Concrete foundation should be 800mm deep by 600mm wide. Suspend reinforcing cage D10, 600x400mm in center of hole and pour concrete. Make sure the top is level and flat.

When concrete is dry install the carriages using M16 SS threaded rod to a depth of 125mm and Chem-set 101 or similar.

Use nuts with washers under and above the carriage base to allow for height adjustment and levelling.

The forces on the wheels are very high and misalignment will cause the bearings to fail. Close enough is not OK when it comes to alignment and levelling of the carriages. Alignment and levelling must be spot-on.

TECHNICAL SPECIFICATIONS:



Opening (A)	Weight (kg)	Carriage Centers (B)	Overall Length (L)	*Concrete (C)
5	600	1.5	7.2	2.1 x 0.6 x 0.8
	700	1.6	7.3	2.2 x 0.6 x 0.8
6	600	1.8	8.5	2.4 x 0.6 x 0.8
	700	1.9	8.6	2.5 x 0.6 x 0.8
	800	2.2	8.9	2.8 x 0.6 x 0.8
7	600	2.0	9.7	2.6 x 0.6 x 0.8
	700	2.3	10.0	2.9 x 0.6 x 0.8
	800	2.5	10.2	3.1 x 0.6 x 0.8
	900	2.8	10.5	3.4 x 0.6 x 0.8
8	650	2.3	11.0	2.9 x 0.6 x 0.8
	750	2.8	11.5	3.4 x 0.6 x 0.8
	850	3.1	11.8	3.7 x 0.6 x 0.8
	950	3.4	12.1	4.0 x 0.6 x 0.8
9	700	3.0	12.7	3.6 x 0.6 x 0.8
	800	3.3	13.0	3.9 x 0.6 x 0.8
	900	3.7	13.4	4.3 x 0.6 x 0.8
	1000	4.0	13.7	4.6 x 0.6 x 0.8

*L x W x D



HEAVY CANTILEVER GEAR

Steel Cantilever Gate systems are where CAIS made their reputation and the cantilever track production is at the heart of their operation.



CARRIAGE (HEAVY)

Eight wheels spread the load across the top and bottom of the monorail track and minimise rocking

SPEED-L 8 wheel carriage, L size



TRACK (HEAVY)

Cais track is made with a slow rolling process to remove memory in the steel and make sure it doesn't spring open when cut.

STAGE-LZ3 Galvanised track, 3m long
STAGE-LZ6 Galvanised track, 6m long



END CUP (HEAVY)

Support your gate and protect it in open and closed.

LAST-L End cup



END WHEEL, END CAP (HEAVY)

An end wheel allows the gate to ride up onto the cup even if it has a little sag.

RUN-L End wheel
PILOT-L End cap

Enhanced design and superior production from the Czech Republic using high quality German steel.

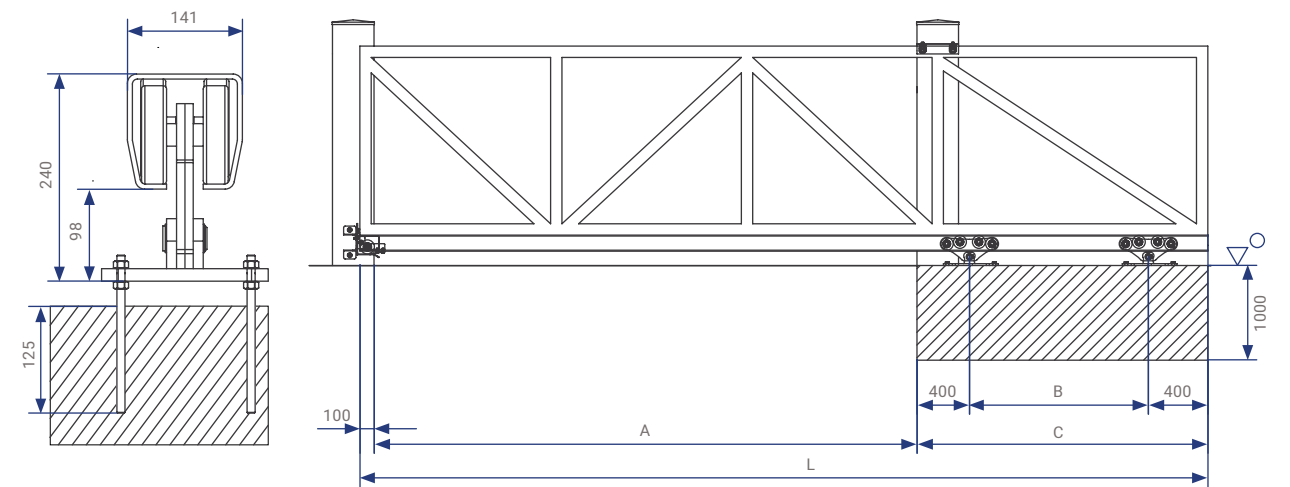
Formed from high quality, heavily galvanized, German steel in an 18 stage process with a slow rolling speed to reduce heat build-up and memory. Concrete foundation should be 1000mm deep by 800mm wide. Suspend reinforcing cage D10, 600x600mm in center of hole and pour concrete. Make sure the top is level and flat.

When concrete is dry install the carriages using M16 SS threaded rod to a depth of 125mm and Chem-set 101 or similar.

Use nuts with washers under and above the carriage base to allow for height adjustment and levelling.

The forces on the wheels are very high and misalignment will cause the bearings to fail. Close enough is not OK when it comes to alignment and levelling of the carriages. Alignment and levelling must be spot-on.

TECHNICAL SPECIFICATIONS:



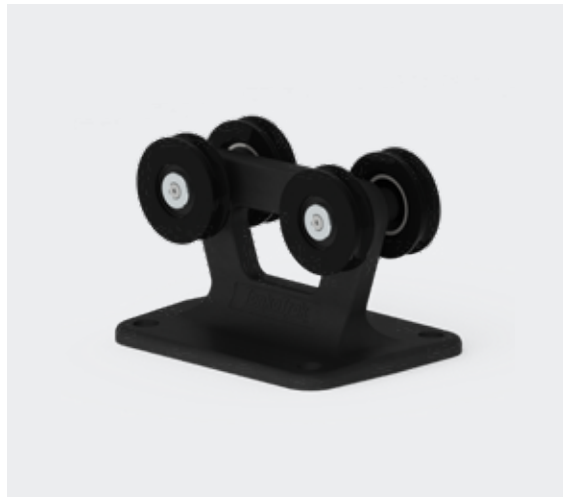
Opening (A)	Weight (kg)	Carriage (B)	Overall Length (L)	*Concrete (C)
9	800	2.7	12.6	3.5 x 0.8 x 1.0
	1000	2.7	12.6	3.5 x 0.8 x 1.0
	1200	2.8	12.7	3.6 x 0.8 x 1.0
10.5	950	3.2	14.6	4 x 0.8 x 1.0
	1050	3.2	14.6	4 x 0.8 x 1.0
	1250	2.6	14.0	3.4 x 0.8 x 1.0
12	900	3.5	16.4	4.3 x 0.8 x 1.0
	1100	3.5	16.4	4.3 x 0.8 x 1.0
	1300	3.8	16.7	4.6 x 0.8 x 1.0
13.5	1000	4.0	18.4	4.8 x 0.8 x 1.0
	1200	4.1	18.5	4.9 x 0.8 x 1.0
	1400	4.6	19.0	5.4 x 0.8 x 1.0
15	1000	4.3	20.2	5.1 x 0.8 x 1.0
	1200	4.6	20.5	5.4 x 0.8 x 1.0
	1400	5.5	21.4	6.3 x 0.8 x 1.0

*L x W x D



TONKATRAK

TonkaTrak is all about engineered extrusions and precision hardware that can be seamlessly integrated to create elegant gates.



TT. CARRIAGE

Grooved wheels keep the gate on track and minimise the need for guides.

TONKA-WC-M Black anodised aluminium carriage



TT. TRACK

Locally extruded track in structural grade aluminium with integrated profile to easily slide in gate racking for automation. **Racking sold separately.**

TONKA-TC-4M	Half length
TONKA-TC-8M	Full length
TONKA-RACK	500mm length



TT. END CUP

Low profile and a wide entry to suit aluminium cantilever gates.

TONKA-ESC-M HDG steel



TT. END WHEEL, END CAP

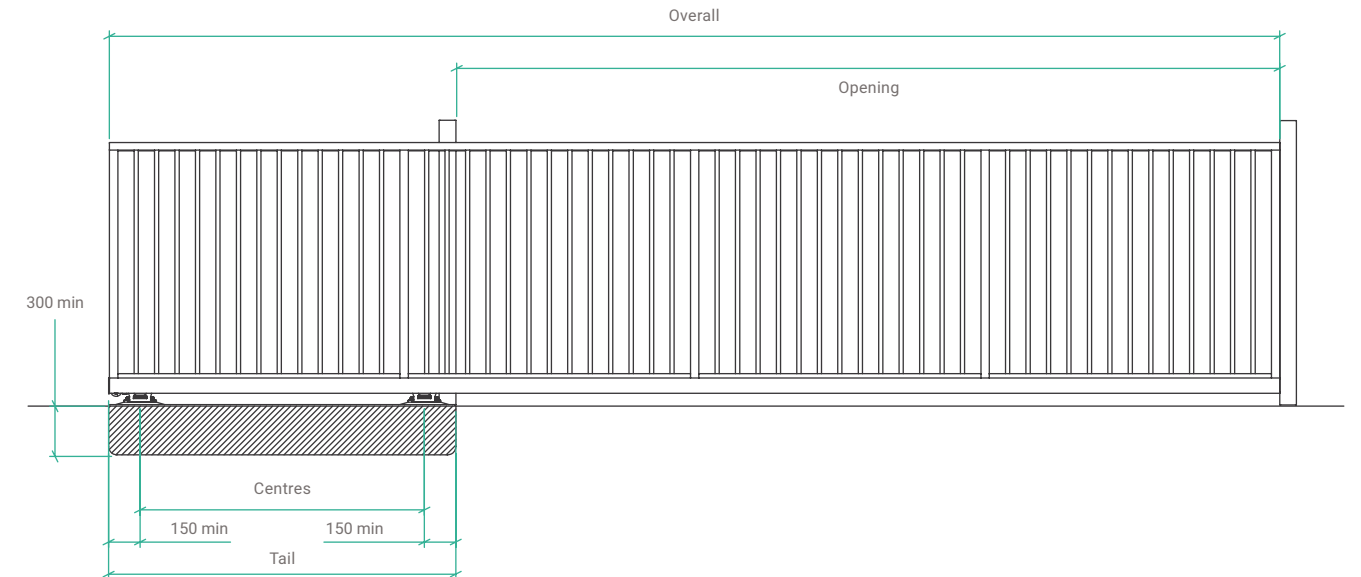
Screws into end of extrusion via screw ports.

TONKA-WCG-M Aluminium end wheel and screws

TECHNICAL SPECIFICATIONS:

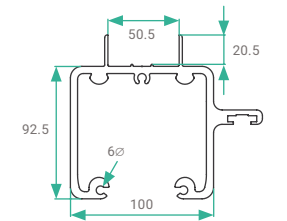
Tonkatrak is a light weight aluminium cantilever system. The gate is made like a standard sliding gate and simply stitch welded into the monorail track. It has amazing benefits compared to a regular sliding gate and none of the drawbacks of steel cantilever.

- Lightweight gate means it can be counterbalanced by a small concrete slab - 300mm deep is sufficient.
- Grooved wheels reduce the need for top guidance
- No need for a concreted runout strip along the fence line
- No rusty track across your beautiful driveway
- Quick install and easy civils compared to steel cantilever
- Suits gates of 120kg per leaf.



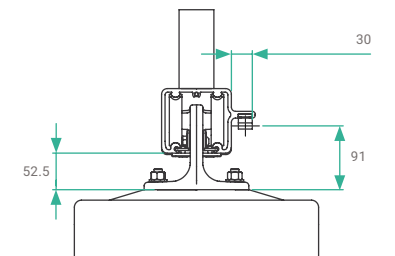
ARCHITECTURAL GATES more than 50% infill needs consideration for wind loading

	SHS 50 x 50 Frame				RHS 100 x 50 Frame			
Opening	3.0	3.5	4.0	4.5	5.0	5.5	5.7	
Centres	0.8	1.1	1.2	1.5	1.7	1.8	2.0	
Tail	1.1	1.4	1.5	1.8	2.0	2.1	2.3	
Overall	4.1	4.9	5.5	6.3	7.0	7.6	8.0	



TUBULAR GATES less than 50% infill and low wind loading

	SHS 50 x 50 Frame					
Opening	3.0	3.5	4.0	4.5	5.0	5.7
Centres	0.6	0.7	1.0	1.4	1.7	2.0
Tail	0.9	1.0	1.3	1.7	2.0	2.3
Overall	3.9	4.5	5.3	6.2	7.0	8.0





CAPS + FLANGES

The Lynx range of caps is comprehensive, spanning plastic caps, steel and aluminium post caps and bolt protection covers.

PRICES | SPECIFICATIONS | DOCUMENTATION
ALL AVAILABLE ON OUR WEBSITE



ROUND STEEL POST CAP

	Size	Finish
CR20	20nb	Pre-Galv
CR25	25nb	Pre-Galv
CR32	32nb	Pre-Galv
CR32-HDG	32nb	Hot Dip Galv
CR40	40nb	Pre-Galv
CR40-HDG	40nb	Hot Dip Galv
CR50	50nb	Pre-Galv
CR50-HDG	50nb	Hot Dip Galv

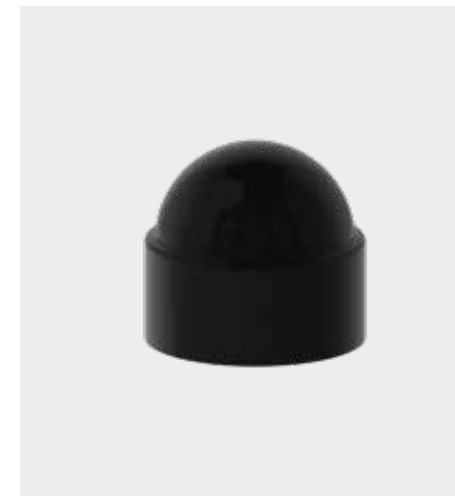
	Size	Finish
CR65	65nb	Pre-Galv
CR80	80nb	Pre-Galv
CR90	90nb	Pre-Galv
CR100	100nb	Pre-Galv
CR125	125nb	Pre-Galv
CR150	150nb	Pre-Galv
CR220	200nb	Pre-Galv



SQUARE STEEL POST CAP

	Size	Finish
CS40	40mm	Pre-Galv
CS50	50mm	Pre-Galv
CS50-PCB	50mm	Black Powder Coat
CS65	65mm	Pre-Galv
CS65-PCB	65mm	Black Powder Coat
CS75	75mm	Pre-Galv
CS90	90mm	Pre-Galv

	Size	Finish
CS100	100mm	Pre-Galv
CS125	125mm	Pre-Galv
CS150	150mm	Pre-Galv



BOLT PROTECTION CAP

	Size
M8PR-B	M8
M10PR-B	M10
M12PR-B	M12

PRICES | SPECIFICATIONS | DOCUMENTATION
ALL AVAILABLE ON OUR WEBSITE





ROUND STEEL POST CAP

Size	Size	Size
R015-08/20-B 15mm	R032-25/45-B 32mm	R060-29/40-B 60mm
R016-08/20-B 16mm	R034-10/30-B 34mm	R076-29/40-B 76mm
R019-08/20-B 19mm	R034-35/40-B 34mm	R085-15/40-B 85mm
R020-08/25-B 20mm	R038-10/35-B 38mm	R089-18/40-B 89mm
R021-08/20-B 21mm	R042-08/25-B 42mm	R095-15/40-B 95mm
R022-08/30-B 22mm	R042-25/50-B 42mm	R102-20/40-B 102mm
R025-10/30-B 25mm	R048-12/36-B 48mm	R114-32/55-B 114mm
R026-10/30-B 26mm	R048-25/52-B 48mm	
R027-10/30-B 27mm	R050-25/45-B 50mm	
R028-08/25-B 28mm	R051-13/25-B 51mm	
R032-08/25-B 32mm	R055-10/30-B 55mm	



SQUARE PLASTIC CAP

Size	Size
S016-10/25-B 16mm	S050-10/25-B 50mm
S020-08/30-B 20mm	S050-25/50-B 50mm
S025-10/30-B 25mm	S052-10/35-B 52mm
S030-10/20-B 30mm	S065-25/45-B 65mm
S030-25/45-B 30mm	S070-25/50-B 70mm
S035-10/30-B 35mm	S075-20/45-B 75mm
S038-10/35-B 38mm	S090-25/50-B 90mm
S040-10/30-B 40mm	S100-10/40-B 100mm
S040-30/40-B 40mm	S100-30/60-B 100mm
S045-10/30-B 45mm	S125-30/60-B 125mm



RECTANGULAR PLASTIC CAP

Size	Size
RCT035.030-10/20-B 35x30mm	RCT100.050-15/45-B 100x50mm
RCT038.025-1.0/30-B 38x25mm	RCT100.050-32/50-B 100x50mm
RCT040.020-08/30-B 40x20mm	RCT100.075-3.0-B 100x75mm
RCT050.025-08/30-B 50x25mm	RCT120.060-20/40-B 120x60mm
RCT050.025-30/45-B 50x25mm	RCT150.050-20/40-B 150x50mm
RCT065.035-10/30-B 65x35mm	
RCT075.025-10/30-B 75x25mm	
RCT075.050-20/40-B 75x50mm	
RCT080.050-20/40-B 80x50mm	
RCT100.025-15/30-B 100x25mm	



SQUARE STEEL FLANGE

Dimension	Finish	Dimension	Finish
FS100X5 100x5mm	Hot Dip Galv	FS300X12 300x12mm	Hot Dip Galv
FS125X8 125x8mm	Hot Dip Galv	FS300X12-B 300x12mm	Black Steel
FS125X8-B 125x8mm	Black Steel	FS125X80X5 125x80x5mm	Hot Dip Galv
FS150X10 150x10mm	Hot Dip Galv		
FS150X10-B 150x10mm	Black Steel		
FS200X10 200x10mm	Hot Dip Galv		
FS200X10-B 200x10mm	Black Steel		



SQUARE FLANGE FOR SQUARE TUBE

Dimension	Hole	Finish
FS-50S 125x5mm	50x50mm	Steel



SQUARE ALUMINIUM FLANGE

Dimension	Finish
FS125X8-A 125x8mm	Aluminium
FS150X10-A 150x10mm	Aluminium
FS200X12-A 200x12mm	Aluminium



PALLET FOOT

Dimension	Finish
PALL.FOOT-BLACK 125x125mm	Black Steel

See "Chainlink and Rural" for more flanges.



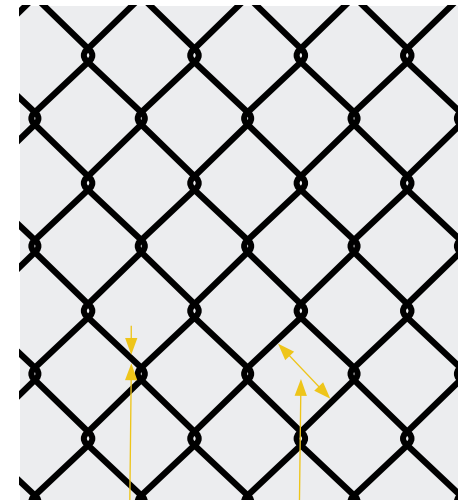


CHAINLINK + RURAL

The Lynx range of high quality fittings for chainlink and rural fence and gate is the most comprehensive in the region.



PRICES | SPECIFICATIONS | DOCUMENTATION
ALL AVAILABLE ON OUR WEBSITE



Wire Gauge
2.5mm or 3.15mm

Diamond Size
25mm or 50mm

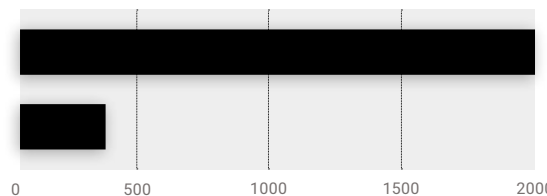
Dimensions:

- Gauge: 2.5mm or 3.15mm
- Diamond: 25mm or 50mm
- Height: 0.9m – 3.6m
- Tensile Strength: 450 MPa

WIRE SPECIFICATION:

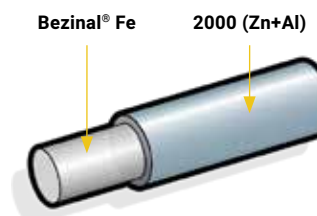
Lynx Chainlink is made from Bezinal 2000 wire from world leading Belgium company Bekaert. This wire is tested and proven to have the best possible corrosion performance and is most suited to New Zealand's damp coastal climate. Bezinal 2000 uses a Zinc and Aluminium alloy that gives it 4x the protection of regular heavy galv wire. This is because the aluminium forms a tough oxide layer that protects the zinc which in turn protects the steel.

Comparison salt spray results (hours exposure before appearance of 5% Dark Brown Rust)



● **Bezinal[®] 2000**
125g/m² coat weight

● **Heavy Galv**
200 to 300g/m² coat weight



PRICES | SPECIFICATIONS | DOCUMENTATION
ALL AVAILABLE ON OUR WEBSITE

CHAIN LINK MESH

Lynx chainlink mesh is manufactured in New Zealand using a Bergandi chain link mesh weaver from the USA. It produces tight knuckles which ensure a deformation resistant mesh.

Diamonds: 50mm or 25mm

Stocked Rolls

	Diamond Size	Wire	Sizes
CLG-5025-1220	50mm	2.5mm Bezinal	1.2m high x 20m long
CLG-5025-1520	50mm	2.5mm Bezinal	1.5m high x 20m long
CLG-5025-1805	50mm	2.5mm Bezinal	1.8m high x 5m long
CLG-5025-1810	50mm	2.5mm Bezinal	1.8m high x 10m long
CLG-5025-1820	50mm	2.5mm Bezinal	1.8m high x 20m long
CLG-5025-2015	50mm	2.5mm Bezinal	2.0m high x 15m long
CLG-5025-2415	50mm	2.5mm Bezinal	2.4m high x 15m long
CLG-5025-3010	50mm	2.5mm Bezinal	3.0m high x 10m long
CLG-5031-1815	50mm	3.1mm Bezinal	1.8m high x 15m long
CLFB-5030-1815-B	50mm	3mm Black Fusion Bond	1.8m high x 15m long

All 25 diamond, 3.15 wire and other sizes of 50 diamond made to order on a square meter rate.

Fusion Bond

Bekaert Fusion Bonded wire is Bezinal 2000 coated steel wire that is chemically bonded with a high adhesion, coloured PVC coating. This effectively puts a third layer of protection + colour on top of what is already the worlds leading corrosion performance wire. This results in an aesthetically pleasing and crack resistant coating with good dimensional tolerances. Thanks to these features, Fusion Bonded wire is ideal for use in environments such as areas exposed to extreme temperatures, highly corrosive atmospheres and or abrasive elements.

Features of Fusion Bond

- Outstanding and long lasting adhesion in humid environments
- Superior corrosion resistance – less creeping rust
- High impact resistance
- Smooth, attractive coating surface
- High dimensional tolerance

Features of Bezinal 2000

- High temperature performance (exposure up to 350C)
- Lasts 4x longer than heavy galvanised wire
- Active protection of cut ends
- Smooth consistent surface finish
- Good formability with less dust generation



BARBED WIRE

Bezinal 2000 barbed wire with market leading corrosion performance from Bekaert.

BW1.7	1.7mm barbed wire bezinal 2000 (500m)
BW1.6-FB	1.6mm barbed wire black (500m)



FENCING WIRE

Bezinal 2000 fencing wire with market leading corrosion performance from Bekaert.

FW2.0-HT	1000m, 2.0mm High Tensile
FW2.5-HT	640m, 2.5mm High Tensile
FW3.15-HT	400m, 3.15mm High Tensile
LW1.6	10kg, 1.6mm Lacing Wire
LW2.0	10kg, 2.0mm Lacing Wire
LW2.8-FB	10kg, 2.8mm FB Black Lacing Wire



WIRE TIES

Bundles of 500 ties for fast tying off of wire fencing.

WT150	150mm
WT200	200mm
WT230	230mm
WT250	250mm
WT300	300mm
W.PULL-ST	Wire Tie Puller



HOG RINGS

Zinc Alume hog rings for quick attachment to line wires.

RP22	Hog Rings
RP22-GUN	High Quality Jambro Hog Ring Gun



SPLIT TEE

Tee fittings for chain link fencing. Hot dip galvanised steel.

	Thru	Butt		Thru	Butt		Thru	Butt
T1515	15	15	T3240	32	40	T5040	50	40
T2020	20	20	T3250	32	50	T5050	50	50
T2025	20	25	T4025	40	25	T6550	65	50
T2525	25	25	T4032	40	32	T8032	80	32
T2532	25	32	T4040	40	40	T8040	80	40
T2540	25	40	T4050	40	50	T8050	80	50
T3225	32	25	T5025	50	25	T10032	100	32
T3232	32	32	T5032	50	32	T10040	100	40



SPLIT CROSS

Cross fittings for chain link fencing. Hot dip galvanised steel.

	Thru	Butt		Thru	Butt
X2020	20	20	X4040	40	40
X2520	25	20	X5025	50	25
X2525	25	25	X5032	50	32
X3225	32	25	X5040	50	40
X3232	32	32	X5050	50	50
X4025	40	25	X6550	65	50
X4032	40	32			



ADJUSTABLE SPLIT CORNER

Adjustable corner for chain link fencing. Hot dip galvanised steel.

	Thru	Butt		Thru	Butt
AC2525	25	25	AC4040	40	40
AC3225	32	25	AC5025	50	25
AC3232	32	32	AC5032	50	32
AC4025	40	25	AC5040	50	40
AC4032	40	32	AC5050	50	50





UNIVERSAL POST CLAMP

Post clamp for connecting pipe and mesh fence rails. Works together with Universal Rail Clamps. Hot dip galvanised steel.

UFP25	Suits 25nb Post	UFP65	Suits 65nb Post
UFP32	Suits 32nb Post	UFP80	Suits 80nb Post
UFP40	Suits 40nb Post	UFP100	Suits 100nb Post
UFP50	Suits 50nb Post	UFP150	Suits 150nb Post



UNIVERSAL RAIL CLAMP

Rail clamp for connecting pipe and mesh fence rails. Works together with Universal Post Clamp. Hot dip galvanised steel.

UFR25	Suits 25nb Rail
UFR32	Suits 32nb Rail
UFR40	Suits 40nb Rail
UFR50	Suits 50nb Rail

UNIVERSAL CONNECTOR

Universal connectors are used to add additional raking rail clamp to the post clamp. Hot dip galvanised steel

UF-C	Suits All UFR and UFP Combinations
-------------	------------------------------------



PIPE

6.5m or cut-to-length

20NBx6.5-GMPE	27 OD
25NBx6.5-GMPE	34 OD
32NBx6.5-GMPE	42 OD
40NBx6.5-GMPE	48 OD
50NBx6.5-GMPE	60 OD



ROUND PIPE FLANGE - 2 HOLE

Tee fittings for chain link fencing. Hot dip galvanised steel.

FO-25P	Suits 25nb Pipe
FO-32P	Suits 32nb Pipe
FO-40P	Suits 40nb Pipe
FO-50P	Suits 50nb Pipe



ROUND PIPE FLANGE - 3 HOLE

Round flanges for pipe posts. Three fixing holes. Hot dip galvanised steel.

FR-32P	Suits 32nb Pipe
FR-40P	Suits 40nb Pipe
FR-50P	Suits 50nb Pipe



SQUARE FLANGE FOR ROUND PIPE

Square flanges for pipe posts. Four fixing holes. Hot dip galvanised steel.

FS-32P	Suits 32nb Pipe
FS-40P	Suits 40nb Pipe
FS-50P	Suits 50nb Pipe





CENTERBAND GUDGEON

Pipe clamp hinge for round posts. Suits non-automated gates of up to 150kg (height and width dependant - see page 65). Hot dip galvanised steel.

	Pin	Suits Pipe		Pin	Suits Pipe
CBG16-25	16mm	25nb	CBG20-65	20mm	65nb
CBG16-32	16mm	32nb	CBG20-80	20mm	80nb
CBG16-40	16mm	40nb	CBG20-90	20mm	90nb
CBG16-50	16mm	50nb	CBG20-100	20mm	100nb
CBG20-40	20mm	40nb	CBG20-125	20mm	125nb
CBG20-50	20mm	50nb	CBG20-150	20mm	150nb



WELD ON SOCKET

Weld on sockets for use with gudgeon hinges.

	To Suit Pin	Finish
SW16	16mm	Hot Dip Galv
SW16B	16mm	Black Steel
SW16ZP	16mm	Zinc Plated
SW20	20mm	Hot Dip Galv
SW20B	20mm	Black Steel
SW20H	20mm	Hot Dip Galv
SW20ZP	20mm	Zinc Plated



CENTERBAND CLAMP

Centerband clamp for pipe and mesh fencing. Hot dip galvanised steel.

	Band	Suits Pipe		Band	Suits Pipe
CB25-H	42mm	25nb	CB65-H	42mm	65nb
CB32-H	42mm	32nb	CB80-H	42mm	80nb
CB40-M	25mm	40nb	CB90-H	42mm	90nb
CB40-H	42mm	40nb	CB100-H	42mm	100nb
CB50-M	25mm	50nb	CB125-H	42mm	125nb
CB50-H	42mm	50nb	CB150-H	42mm	150nb



WELD ON GUDGEON

Weld on gudgeon hinge for use with weld on sockets, strap hinges and adjustable sockets

	Pin	Finish
GW16S	16mm	Hot Dip Galv
GW16S-B	16mm	Black Steel
GW20-L	20mm	Hot Dip Galv
GW20S	20mm	Hot Dip Galv
GW20S-B	20mm	Black Steel



OFFSET CENTERBAND CLAMP

Offset centerband clamps with optional wire strainer for pipe and mesh fencing. Hot dip galvanised steel.

	Band	Suits Pipe		Band	Suits Pipe
CBO40	16mm	40nb	CBO80	20mm	80nb
CBO40-WS	16mm	40nb	CBO80-WS	20mm	80nb
CBO50	16mm	50nb	CBO100	20mm	100nb
CBO50-WS	16mm	50nb	CBO100-WS	20mm	100nb
CBO65	20mm	65nb	CBO150-WS	20mm	150nb
CBO65-WS	20mm	65nb			



WELD ON PIN

Weld on pin hinge for use with weld on sockets, strap hinges and adjustable sockets

	Pin	Finish
PW16S-ZP	16mm	Zinc Plated
PW20L-ZP	20mm	Zinc Plated





RISING HINGE FOR PIPE AND MESH GATES

Rising hinge for pipe and mesh gates on inclined driveways. Hinge arm slides inside the bottom of the gate frame to track the gate as it rises on a center wheel (wheel sold separately). Hot dip galvanised steel.

	Pin	Suits Pipe
RH-PM	20mm	32nb



THRU POST GUDGEON

Thru post gudgeons for rural and chain link gates.

	Length	Pin	Finish
GT12S100	100mm	12mm Short Pin	Hot Dip Galv
GT12S190	190mm	12mm Short Pin	Hot Dip Galv
GT16S200	200mm	16mm Short Pin	Hot Dip Galv
GT16S250	250mm	16mm Short Pin	Hot Dip Galv
GT20L275-ZP	275mm	20mm Long Pin	Zinc Plated
GT20S275-ZP	275mm	20mm Short Pin	Zinc Plated
GT20L350-ZP	350mm	20mm Long Pin	Zinc Plated
GT20S350-ZP	350mm	20mm Short Pin	Zinc Plated



HINGE STRAP

Hinge straps for timber gates. Use with gudgeon type hinges. Zinc plated steel.

	Pin	Length
HS16-150-ZP	16mm	150mm
HS16-225-ZP	16mm	225mm
HS20-300-ZP	20mm	300mm
HS20-375-ZP	20mm	375mm
HS20-450-ZP	20mm	450mm
HS20-600-ZP	20mm	600mm



LOCK THRU GUDGEON

The locking bar that hooks through the post under this gudgeon both adds to the strength and prevents twisting.

	Length	Pin	Finish
GLT20L275-ZP	275mm	20mm Long Pin	Zinc Plated
GLT20S275-ZP	275mm	20mm Short Pin	Zinc Plated
GLT20L350-ZP	350mm	20mm Long Pin	Zinc Plated
GLT20S350-ZP	350mm	20mm Short Pin	Zinc Plated



GATE CLAMP SOCKET

Clamps for use as hinges on small pedestrian gates. Hot dip galvanised steel.

	Suits Pin	Suits Gate
HC2016	16mm	20nb
HC2520	20mm	25nb



SCREW / DRIVE-IN GUDGEON

Screw-in and Drive-in gudgeons for timber posts.

	Length	Pin	Finish
GS16S105-ZP	105mm	16mm Short Pin	Zinc Plated
GS16S140-ZP	140mm	16mm Short Pin	Zinc Plated
GS20L150-ZP	150mm	20mm Long Pin	Zinc Plated
GS20S150-ZP	150mm	20mm Short Pin	Zinc Plated
GS20L200-ZP	200mm	20mm Long Pin	Zinc Plated
GS20S200-ZP	200mm	20mm Short Pin	Zinc Plated
GD20L200 (drive through)	200mm	20mm Long Pin	Hot Dip Galv





LOCK BOX

Lock box and locking tab for chain link gates and manual boom arms.

	Box	Tab	Finish
LB-SET	100nb	130mm	Hot Dip Galv

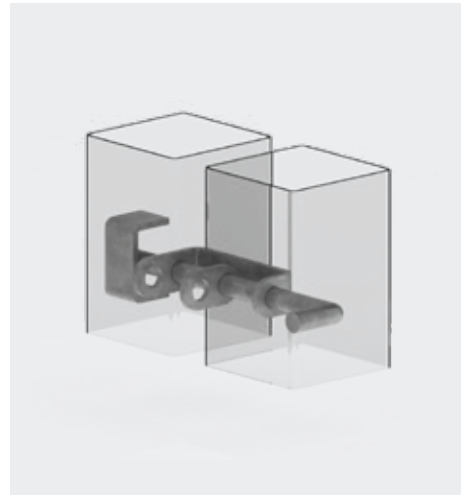


WELD-ON DROP BOLT

	Length	Bolt	Finish
DB16X800W*	800mm	16mm	Hot Dip Galv

* Comes with 3 Lugs

Details	
DBL16	Extra Lugs



PAD BOLT

Locking bolt and keeper for industrial gates. Zinc plated steel.

	Length	Finish
PB-225W	225mm	Hot Dip Galv



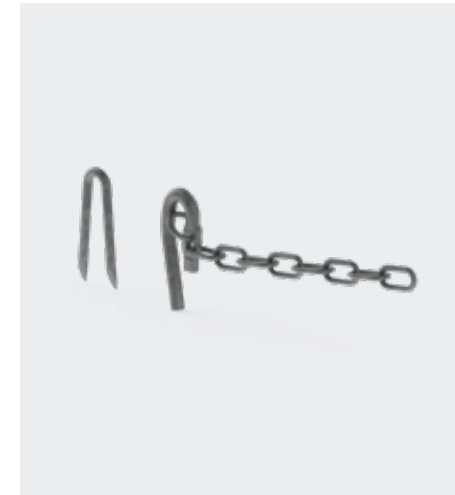
BOLT-ON DROP BOLT

	Length	Bolt	Finish
DB12X700F	700mm	12mm	Hot Dip Galv
DB14X300F	300mm	14mm	Hot Dip Galv



SHOOT BOLT

	Length	Finish
SB155	155mm	Hot Dip Galv
SB-BRACE	120x100mm	Hot Dip Galv



CATCH AND STAPLE

Details	
FGC-H-ZP	Spring Catch + Staple
FGF-H	Floppy Catch + Staple (as per image)
FG-S	Staple Only





HIGH SECURITY

We have quality Security Fencing as well as options for Razor Wire, Barbed Wire and Fencing Ties.



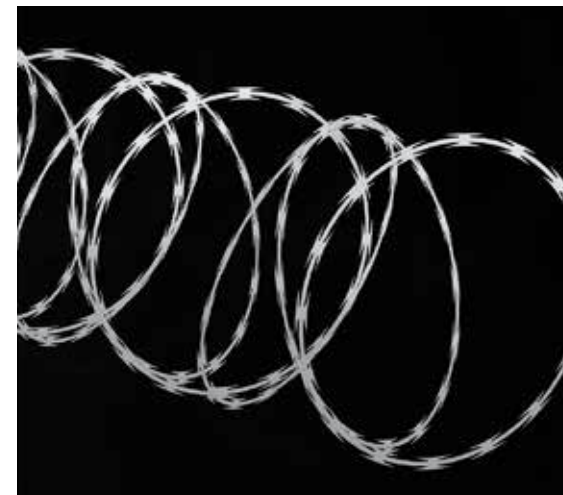
PRICES | SPECIFICATIONS | DOCUMENTATION
ALL AVAILABLE ON OUR WEBSITE



RAZOR WIRE RINGS

Razor wire rings have long sharp barbs made from high tensile galvanised steel or stainless steel. Use 3 rings per meter with an overlap to create a high security top to your fence.

	Diameter	Material
AB.RING.LB.450	450mm	Zinc Alum
AB.RING.LB.450.SS	450mm	Stainless Steel
AB.RING.LB.600	600mm	Zinc Alum
AB.RING.LB.600.SS	600mm	Stainless Steel



RAZOR WIRE CONCERTINA

Razor wire concertinas have long sharp barbs made from high tensile galvanised steel or stainless steel. One concertina will stretch out to cover 7.5m.

	Diameter	Material
AB.CONC.LB.450	450mm	Zinc Alum
AB.CONC.LB.450.SS	450mm	Stainless Steel
AB.CONC.LB.600	600mm	Zinc Alum
AB.CONC.LB.600.SS	600mm	Stainless Steel



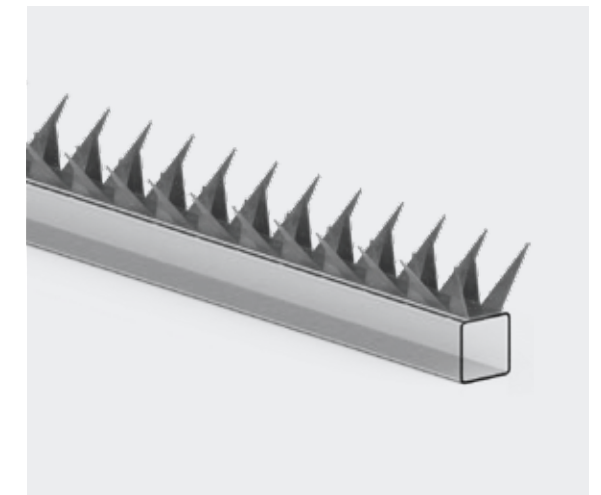
PRICES | SPECIFICATIONS | DOCUMENTATION
ALL AVAILABLE ON OUR WEBSITE



RAZOR WIRE COILS

Razor wire coils have long sharp barbs made from high tensile galvanised steel or stainless steel. One coil will stretch out to cover 15m.

	Diameter	Material
AB.COIL.LB.450	450mm	Zinc Alum
AB.COIL.LB.450.SS	450mm	Stainless Steel
AB.COIL.LB.600	600mm	Zinc Alum
AB.COIL.LB.600.SS	600mm	Stainless Steel



SPIKE RAZOR TOP

Spiked razor top is attached to the top of a fence or gate to deter intruders from attempting to scale it.

	Length
STR-0.8-HDG	800mm

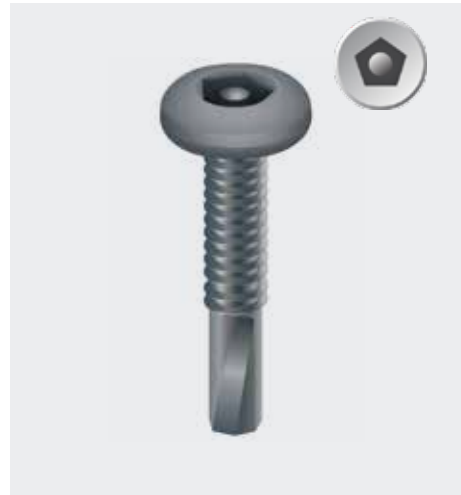


PENTAFORCE SELF DRILLING SECURITY SCREW

Pentaforce Self Drilling Security Screws have a unique 5 sided recess in the head of the fastener meaning that it can only be removed or inserted using the special drive bit.

- Pan head shape.
- Pin in recess to resist tampering.
- 5 Sided Pentagon recess to stop all standard driver tool shapes, only the registered Pentaforce driver tools can be used for installation and removal.
- Self-drilling tip for effective pre-drilling maximises work efficiency and down time.
- Stocked in Galvanised steel. Other can be made to order, subject to minimum order quantities. Suits gates of 120kg per leaf.

	Length	Drive Size	Head Dia	Gauge	Finish
PFP-SD1414-G	25mm	PFD2	12.8mm	14g	Galvanised
PFP-SD1414-GPB	25mm	PFD2	12.8mm	14g	PC Black



PENTAFORCE SELF DRILLING SECURITY SCREW

Pentaforce Self Drilling Security Screws have a unique 5 sided recess in the head of the fastener meaning that it can only be removed or inserted using the special drive bit.

- Pan head shape.
- 5 Sided Pentagon recess to stop all standard driver tool shapes, only the registered Pentaforce driver tools can be used for installation and removal.
- Series 500 Drilling tip for heavy duty steel drilling.
- Stocked in Galvanised steel. Other can be made to order, subject to minimum order quantities.

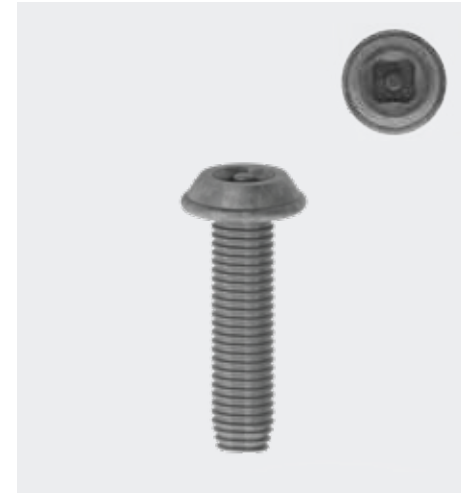
	Length	Drive Size	Head Dia	Gauge	Finish
PFP-SD500-12H	32mm	PFD2	12.8mm	12g	Galvanised



PENTAFORCE DRIVE BIT

Pentaforce Self Drilling Security Screws can be installed and removed by this tool.

PFD2-B	Insert Bit



QUAD 2-WAY

Self Threading Screws

	Size
ZQD-8X25.STS	M8 x 25mm
ZQD-8X35.STS	M8 x 35mm
ZQD-DBI	Quad Drive

*Requires: 7.3mm pilot hole



SPLIT CONCRETE ANCHOR PIN

	Size
BMSA-6.5X50.ZP	6.5 x 50mm



TEK SCREWS

	Size
TKSCR-12X20.NEO	12g x 20mm with seal
TKSCR-12X20.PCB.NEO	12g x 20mm Black P/C with seal
TKSCR-14X25.NEO	14g x 25mm with seal
TKSCR-14X25.PCB.NEO	14g x 25mm Black P/C with seal



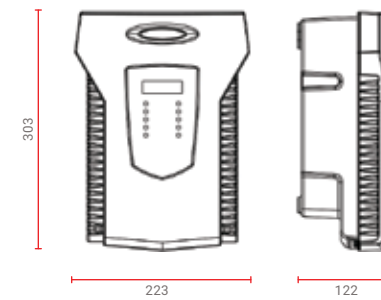


ELECTRIC FENCE

Born from the world's most tested security situations, JVA is a trusted choice for effective perimeter security control in all situations.



PRICES | SPECIFICATIONS | DOCUMENTATION
ALL AVAILABLE ON OUR WEBSITE



Z14R

Electric Security Energiser

A single zone security electric fence Energizer purpose built for control and monitoring of perimeter security electric fences.

Tech Specifications	PTE1042
Zones	One
Output energy	4 Joules
All live wire fence option	Yes
Max. wire length (2mm gal)	6km
Battery and power pack	Included
Battery capacity	7Ah

Features:

- Safe but effective deterrent, high voltage output
- High and low power modes
- Tested and approved to AS/NZS60335.2.76
- Supports Bi-Polar or conventional fence wiring
- Alarms on fence short or open circuit
- Control and programming via LCD Keypad
- Large number of programmable options
- 2 control inputs
- Relays may be assigned to any alarm function

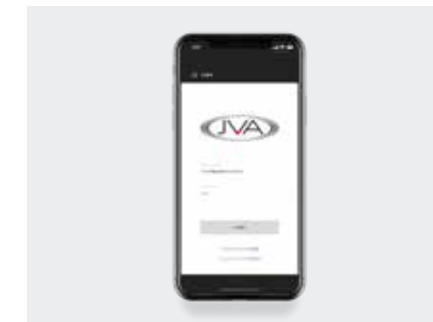
ACCESSORIES



ELECTRIC FENCE LIGHTNING DIVERTER

PTE0054 Lightning Diverter

A lightning diverter protects your energiser from damage if the fence is struck by lightning.



CLOUD ROUTER

PAE253 Wi-fi
PTE0320 Cellular

Monitor and control fenceline on your mobile phone.



ELECTRIC FENCE KEY PAD

PTE0240

The JVA 4-Line LCD Keypad is an integral component in the JVA Security Electric Fence product range.



Z25

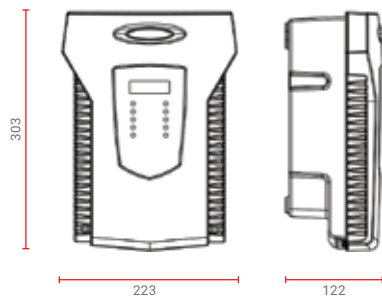
Dual Zone Electric Security Energiser

A two zone security electric fence Energizer purpose designed for the control and monitoring of perimeter security electric fences.

Tech Specifications	PTE1047
Zones	Two
Output energy	2 x 2.2 Joules
All live wire fence option	No
Max. wire length (2mm gal)	2x4km
Battery and power pack	Included
Battery capacity	7Ah

Features:

- Safe but effective deterrent, high voltage output
- High and low power modes
- Tested and approved to AS/NZS60335.2.76
- Supports Bi-Polar or conventional fence wiring
- Alarms on fence short or open circuit
- Control and programming via LCD Keypad
- Large number of programmable options
- 2 control inputs
- Relays may be assigned to any alarm function



ACCESSORIES



RECEIVER + TWO REMOTES

PTE3000 Receiver and remotes

The Z series remote control kit contains a receiver and two key fob transmitters.



FAULT FINDER

PTE0129 Electric fence fault finder

Finding shorts on electric fence as simple as following an arrow.



ELECTRIC FENCE UNDERGATE CABLE- SOFT

N730S 100m soft cable

High quality multi-core (copper strand conductors) lead out/under gate cable.

PRICES | SPECIFICATIONS | DOCUMENTATION
ALL AVAILABLE ON OUR WEBSITE



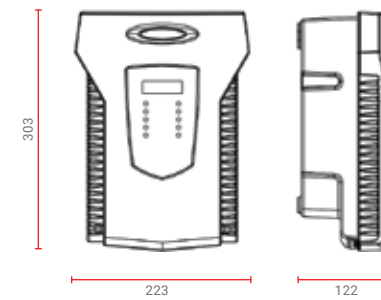
VM2

Electric Security Energiser

The JVA VM2 is a Perimeter Intrusion Detection System utilizing Microphonic Cable. The VM2 (PTE0342) is designed to monitor one or two zones of Microphonic (acoustic) cable to enable the detection of an attempted breach of a perimeter by detection of the noise and vibrations created by unauthorized access or vandalism.

Features:

- As standard each unit can monitor 2 by 300m zones
- Cable termination at required length is done on site
- Joining kit is available for repairs
- Vibration sensing cable sold separately in 300m rolls
- RG59 cable used as under gate cable
- The unit is very customizable/programmable to site conditions
- Can be used with standard keypad
- Battery backup included
- System is expandable (can link units to provide more zones)
- Can be used to monitor panel fences and mesh fences
- Detection of digging under the fence possible with underground cable



ACCESSORIES



VIBRATION SENSOR CABLE

WR043 Microphonic cable

Cable is used in with a JVA-VM2 vibration monitor to enable the detection of an attempted breach.



GPIO

PTE0248 Wi-Fi

Wi-Fi General Purpose IO Board.



ELECTRIC FENCE KEY PAD

PTE0240

The JVA 4-Line LCD Keypad is an integral component in the JVA Security Electric Fence product range.

PRICES | SPECIFICATIONS | DOCUMENTATION
ALL AVAILABLE ON OUR WEBSITE





**ELECTRIC SECURITY FENCE POST
POST ONLY**

EP-2.5(20H)G Intermediate Post only
EPS-2.5(4B-20H)G End/Corner Post only



**ELECTRIC SECURITY FENCE POST
INTERMEDIATE**

EPI-2.5(20I)G Intermediate Post W/ Insulators



**ELECTRIC SECURITY FENCE POST
END/CORNER**

EPS-2.5(4B-20J)G Post W/ Jumbo Insulators
EPS-2.5(4B-20T)G Post W/ Tweekers
Above insulators and tweekers supplied unassembled.



Y-STANDARD INSULATOR

N690 For Intermediate Post



JUMBO STRAIN INSULATOR

N679 For End/Corner Post



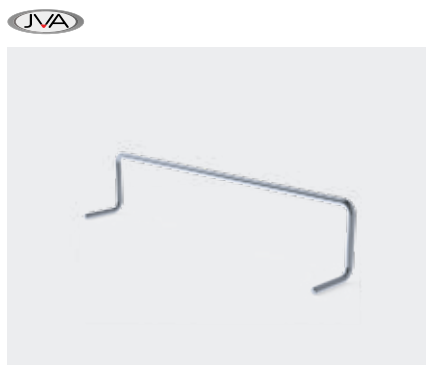
MAXI TWEEKER

N786 For End/Corner Post



HIGH TENSILE 2MM GAL WIRE

FW2.0HT Approx 1000m per roll



STAINLESS STEEL WIRE LINKS

E-WLINK



STRAINER CLIP

ES-TCLIP



GATE CONTACT + BRACKET

N526-KIT For Sliding Gates

This device is used to pass high voltage to a set of live wires mounted on a gate for a security electric fence. Swing gate contacts available.



SIREN

N527



LIGHTS

N351 Strobe Light
N704R Night Light (LED Pulse)



DOUBLE/OPEN CLOSED CRIMP

HC2-CRIMP(100) Closed Crimp
HCE-CRIMP(50) Open/Closed Crimp



TENSION SPRING

ESSPRING



WARNING SIGN

N701

*Notes: Recommended at 10m intervals



PROCRIMP TOOL

HC2-TOOL



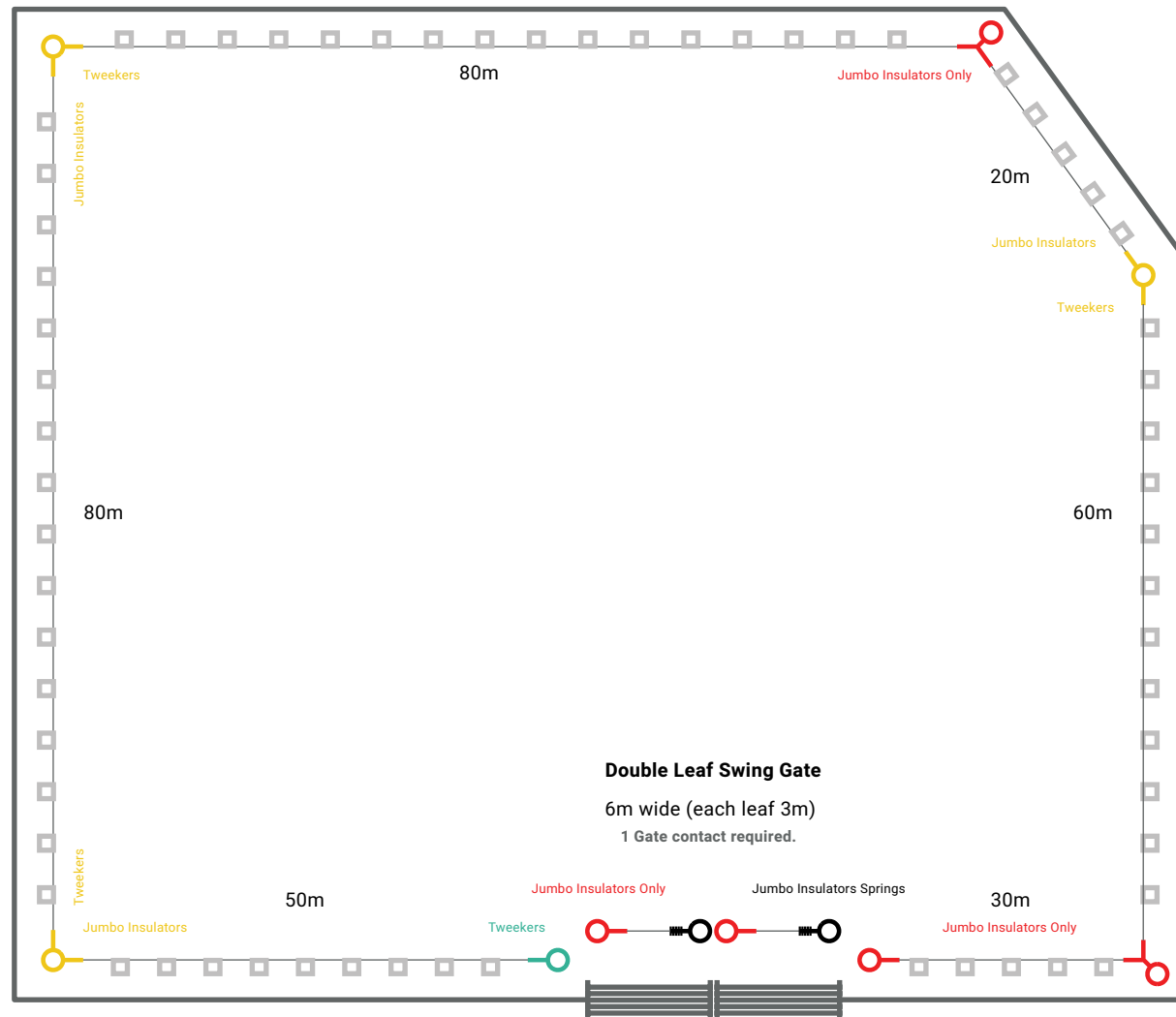
EARTH PEGS

E109



INSTALLATION

ELECTRIC FENCE



- End/Corner Post with Tweekers only
- End/Corner Post with Jumbo Insulators + additional 20 Tweekers and Clips
- End/Corner Post with Jumbo Insulators only
- End/Corner Post with Jumbo Insulators + additional 20 Springs (for gates)
- Intermediate Posts with Y-standard Insulators (approx every 3m)
- Chainlink Mesh Fenceline

20 wire electric fence installed inside of chainlink mesh fenceline.

Calculated clockwise from gate post.

Wire required: 326m x 20 lines = 6520m ÷ 1000m per roll = 7 rolls wire required.

ELECTRIC FENCE

CHECKLIST

Post and Extras

Item	Code	Quantity
End/Corner P-post with Tweekers only	EPS-2.5(4B-20T)G	
End/Corner P-post with Jumbo insulators only	EPS-2.5(4B-20J)G	
End/Corner P-post Bare(no insulators)	EPS-2.5(4B-20H)G	
Intermediate P-post (includes Y insulators)	EPI-2.5(20I)G	
Intermediate P-post (no insulators)	EP-2.5(20H)G	
Maxi Tweekers (for extras required)	N786	
Jumbo Insulators (for extras required)	N679	
Strainer Clips (for both Tweekers & Jumbo ins)	ES-TCLIP	
Tension Springs (for gate)	ESSPRING	

Wire and Extras

Item	Code	Quantity
High Tensile Galv Wire 2mm (25kg). Approx 1000m (divide by 20 lines for linear m required).	FW2.0HT(BEZ.2)25	
Double Crimps	HC2CRIMP(100)	
Open/Closed Crimps	HCE-CRIMP(50)	
Pro Crimp Tool	HC2-TOOL	
Wire Links (to connect wires)	E-WLINK	
Soft Cable (100m)	N730S	
Earth Pegs	E109	
Gate Contact + Bracket (can order individually)	N526-KIT	
Night Light	N704R	
Strobe Light	N351	
Siren	N527	
Warning Signs (every 10m)	N701	
Lightning Diverter	PTE0054	

Energisers and Extras

Item	Code	Quantity
Z14R Single Zone Energiser	PTE1042	
Z25 Two Zone Energiser	PTE1047	
LCD Keypad	PTE0240	
Remotes (x2) + Receiver Kit	PTE3003	
Extra Remote	PTE3000	
Key Switch	E-SWITCH.HD	
Other :		

Please advise if you require holes in end/corner P-post tabs, in order to fit UFP's.

UFP's to be ordered separately.



CLOUD ROUTER™

HOW IT WORKS

The Cloud Router™ provides a portal to route communications between the administrators and owners of Security Electric Fences and their devices in the field. Devices are linked to the Cloud Router™ via Nimbus Gateways. GSM, LAN and Wi-Fi Gateways will be available. Administrators “claim” their Gateways using a unique code and from there gather the attached devices into a “site”.

Devices attached to the Gateway can then be monitored and controlled.



Try the JVA Cloud Router™ now!



Real-Time Notifications

Get email and SMS notifications of alarms as and when they happen.



Site Sharing

Share your sites with others with granular permissions that you control.



Monitor Your Sites History With The Event Log

The Event Log shows you what happened, when, and who authorized it.



See The State Of Your Sites At A Glance

The overview page shows you the overall armed state of your site and whether there are any active alarms.



Clean, Crisp User Interface On All Your Devices

Whether you're out and about on your mobile or sitting in front of your desktop PC. The Cloud Router™ UI is easy to use and displays the information you need, when you need it.



MBX ENERGISER

PTE2254

This unit is suitable for small to moderate size permanent electric fences

Tech Specifications	MB1.5	MB3.0	MB4.5
Output Voltage (kV)	9	9	9
Output Energy (J)	1.5	3	4.5
Max Fenceline (km)	15	30	45

Features:

- LED indicators
- Lightning protection on board
- O-Ring sealed, UV stable enclosure
- Mains or battery powered
- Adaptive power control



SV ENERGISER

PTE2234

The JVA SV range are solar-powered electric fence Energizer. It's ready to go straight out of the box with a solar panel to charge the inbuilt battery.

Tech Specifications	SV2	SV5	SV10
Output Voltage (kV)	6.4	7.5	8
Output Energy (J)	0.1	0.5	0.8
Max Fenceline (km)	2	5	8

Features:

- Integrated solar panel, internal battery and bracket.
- LCD screen shows voltage, stored energy and battery voltage.
- Lightning protection on board
- O-Ring sealed, UV stable enclosure





MB IP ENERGISER

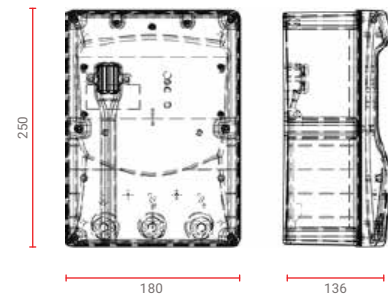
PTE2140

The JVA MB Electric Fence IP Energizer® makes animal control a breeze.

Tech Specifications	MB8	MB12	MB16
Output Voltage (kV)	8.2	8.1	8.8
Output Energy (J)	8.6	12.3	16
Max Fenceline (km)	80	120	160

Features:

- Mains or battery powered
- Power on demand
- Reverse battery protection
- O-Ring sealed, UV stable enclosure
- Controllable using the IP Energiser control app, see below.



Electric Fence Control in the Palm of Your Hand

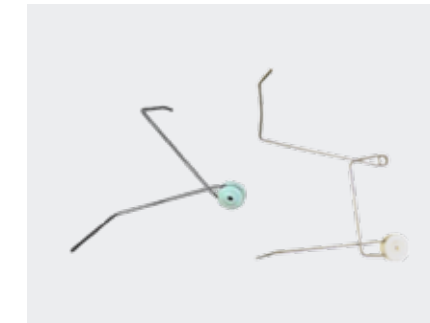
The JVA IP Energizer® and IP Energizer Controller® app combine the latest technology to provide you with the ultimate, in farm control. Compared to more complex fence monitoring systems, the IP Energizer® is an all-in-one solution to electric fence management – no need for extra devices or complex and expensive systems. With in-built wireless capabilities, simply connect your energizer to a Wi-Fi network and download the IP Energizer Controller® app to your smartphone for convenient and reliable fence monitoring from anywhere in the world.



NAIL ON INSULATOR

N673

Can be nailed or screwed to posts



OFF-SETS 225 SHORT + B&B

N201

Offsets single

N210

Offsets double

Used to hold wire strands off an existing fence line



HEAVY DUTY BOBBIN

N683A

Used with offsets



V TYPE LIGHTNING DIVERTER

N720

Used for agricultural applications with adjustable spark gap.



CUT OUT SWITCH SWIVEL

NS710

Used to safely isolate sections of fence.



GATE KITS

S919S

Spring

S919T

Tape

Kits used for gates up to 3.5m wide.



VALUE REEL

S912

Used with poli-wire or poli-tape.



ANIMAL FENCING

SP016

Poli-wire 200m or 500m rolls

SP015

Poli-tape 12mm/40mm available



RING INSULATORS

N6985

Used on wooden posts.





200KG SLIDING DOOR

The preferred choice of shed-builders throughout New Zealand and Australia for the last 40 years.



- For Doors Up To 200kg And 3m High
- Low Maintenance
- Sealed Bearing
- Precision Engineered

PRICES | SPECIFICATIONS | DOCUMENTATION
ALL AVAILABLE ON OUR WEBSITE



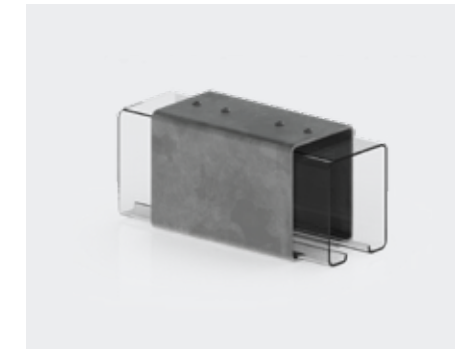
ELTRAK



DIRECTOR DOOR TRACK

- ED2x4.0 4m Length (Galv)
- ED2x6.0 6m Length (Galv)

ELTRAK



DIRECTOR TRACK JOINER

- EDJB Joining Bracket (Galv)

ELTRAK



INTERNAL TRACK STOP

- EC40

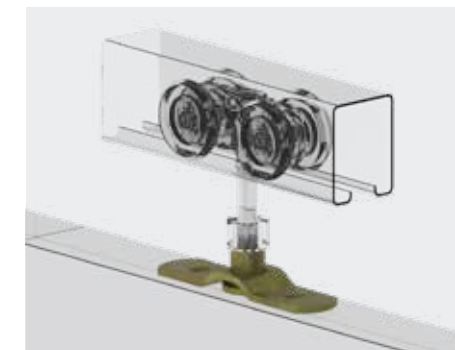
ELTRAK



DIRECTOR FOUR WHEEL HANGER

- ED12LP Steel Wheels
- ED14LP Nylon Wheels

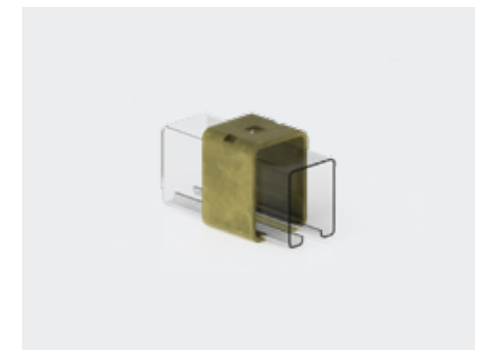
ELTRAK



DIRECTOR TOP PLATE ADAPTOR

- ED37

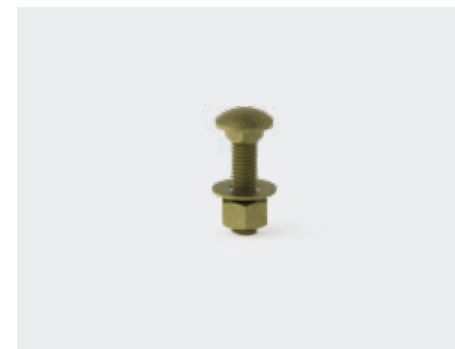
ELTRAK



DIRECTOR SINGLE BRACKET

- ED19 Can use with ED120 for side fix

ELTRAK



DIRECTOR BOLT SET

- ED19BS

ELTRAK



DIRECTOR OFFSET BRACKET

- ED20C Sidefix

ELTRAK



DIRECTOR SIDE FIX ADAPTOR BRACKET

- ED120 Sidefix

PRICES | SPECIFICATIONS | DOCUMENTATION
ALL AVAILABLE ON OUR WEBSITE





ELTRAK



DIRECTOR OFFSET L-BRACKET

ED23 Adjustable single sidefix

ELTRAK



DIRECTOR DOUBLE OVERHEAD BRACKET

ED22A Bolt-on or weld-on

ELTRAK



DIRECTOR OFFSET DOUBLE L-BRACKET

ED24 Adjustable double sidefix



ELTRAK

450KG SLIDING DOOR

The preferred choice of shed-builders throughout New Zealand and Australia for the last 40 years.

- Ideal For Heavy Industrial Doors
- Doors Up To 650kg And 6m High
- Low Maintenance
- Sealed Bearing
- Precision Engineered

ELTRAK



DIRECTOR END CAP

ED30 Reduce track movement

ELTRAK



NYLON FLOOR GUIDE BLOCK

ECFGP

ELTRAK

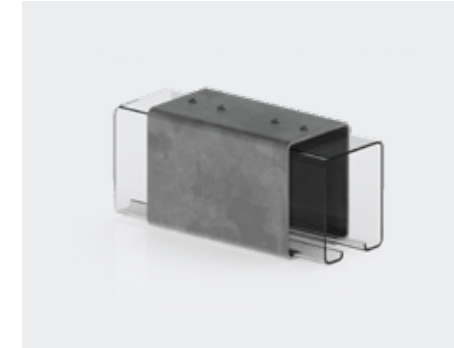


HERCULES DOOR TRACK

EH1X4.0 4m Length (Galv)

EH1X6.0 6m Length (Galv)

ELTRAK



HERCULES TRACK JOINER

EHJB Joining Bracket (Galv)

ELTRAK



INTERNAL TRACK STOP

EC40

ELTRAK



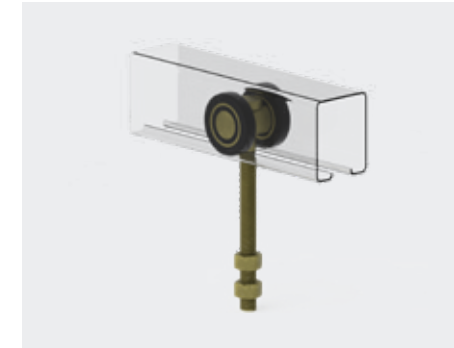
HERCULES FOUR WHEEL HANGER

EH12LP Steel Wheels

EH16ST Steel Wheels for high wind load

EH14LP Nylon Wheels

ELTRAK



HERCULES TWO WHEEL HANGER

EH7 Nylon Wheels

ELTRAK



HERCULES FOUR WHEEL CURVE TRACK HANGER

EH14M Nylon Wheels for curved track

PRICES | SPECIFICATIONS | DOCUMENTATION
ALL AVAILABLE ON OUR WEBSITE

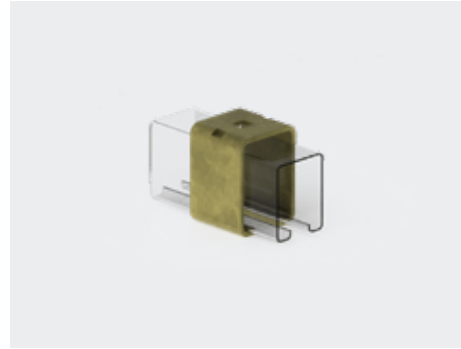


PRICES | SPECIFICATIONS | DOCUMENTATION
ALL AVAILABLE ON OUR WEBSITE





ELTRAK



HERCULES SINGLE BRACKET

EH19 Can use with EH120 for sidefix

ELTRAK



HERCULES BOLT SET

EH19BS

ELTRAK



HERCULES OFFSET BRACKET

EH20C Sidefix

ELTRAK



NYLON FLOOR GUIDE BLOCK

ECFGP

ELTRAK



HERCULES GUIDE PIN

EH5 SKU Code

ELTRAK



HERCULES CURVED TRACK SECTION

EH1600R 600mm radius (Gate)

ELTRAK



HERCULES SIDE FIX ADAPTOR BRACKET

EH120 Use with EH19

ELTRAK



HERCULES OFFSET L-BRACKET

EH23 Use with EH19

ELTRAK



HERCULES DOUBLE OVERHEAD BRACKET

EH22 Bolt-on or weld-on

ELTRAK



HERCULES SINGLE HINGE 2 WHEEL HANGER

EH7SH For end door opanels on bifold/corner doors

ELTRAK



HERCULES FOUR WHEEL SINGLE HINGE HANGER

EH14SH

ELTRAK



HERCULES FOUR WHEEL DOUBLE HINGE HANGER

EH14DH For intermediate door opanels on bifold/corner doors

ELTRAK



HERCULES OFFSET DOUBLE L-BRACKET

EH24 Adjustable double sidefix

ELTRAK



HERCULES CAVITY FIX BRACKET

EH26 Bolt/screw overhead bracket

ELTRAK



HERCULES END CAP

EH30 Reduce track movement

ELTRAK



HERCULES NYLON DOUBLE HINGE

EH62N Double hinge for door panels

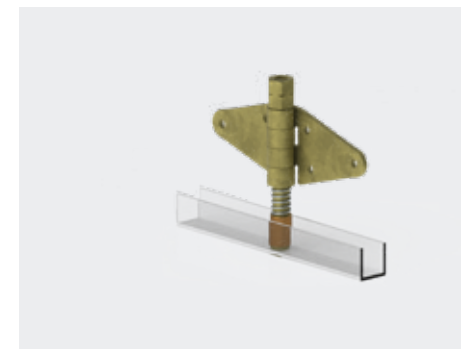
ELTRAK



HERCULES NYLON SINGLE HINGE ROLLER GUIDE

EH6RBSHN For end door

ELTRAK



HERCULES DOUBLE HINGE ROLLER GUIDE

EH6RBDH For intermediate panels

PRICES | SPECIFICATIONS | DOCUMENTATION
ALL AVAILABLE ON OUR WEBSITE



PRICES | SPECIFICATIONS | DOCUMENTATION
ALL AVAILABLE ON OUR WEBSITE





MASTERKLAMP

MASTERKLAMP FITTINGS

Our versatile MasterKlamp pipe clamp system is engineered for the simple, rapid assembly of tubular structures without the need for welding, bending or threading. No matter the complexity of the design, MasterKlamp enables quick, on-site construction.

PRICES | SPECIFICATIONS | DOCUMENTATION
ALL AVAILABLE ON OUR WEBSITE



MASTERKLAMP HANDRAIL

HANDRAIL FITTINGS

MasterKlamp's range of handrail fittings are designed for use on walkways, ramps and stairs.

HOW TO ORDER:

1. Specify the configuration and colour
2. Specify the gradient: 0° flat surfaces, 0° - 30° undulations, 30° - 45° stairs
3. Specify the base flange based on the surface to which it will be installed
4. Specify the height of all rails

We will supply posts pre-assembled with fittings so you can simply add the rails. We can also supply custom PS1s and engineering drawings (POA).



Engineered to create a continuous handrail surface these fittings meet AS1428.1:2009 and the requirements of the Disability Discrimination Act. They are made from hot dip galvanised steel and are designed to fit pipe 420D with 3.2mm wall thickness (32NB with medium wall).

COMMON HANDRAIL CONFIGURATIONS:



B10 Commercial Balustrade



B30 Commercial Balustrade
with DDA Handrail



G10 Guardrail



PRICES | SPECIFICATIONS | DOCUMENTATION
ALL AVAILABLE ON OUR WEBSITE

MASTERKLAMP CODE GUIDE

Standard Fittings

1.02.42

Pipe Outer Diameter

Reducing Fittings for Handrail

1.02.42/48

Thru Pipe Outer Diameter

Butt Pipe Outer Diameter

PIPE SIZE CHART

Nominal Bore (mm)	15nb	20nb	25nb	32nb	40nb	50nb
Outside Diameter (mm)	21mm	27mm	34mm	42mm	48mm	60mm



1.02 - SHORT TEE

1.02.27	20nb	1.02.48-42	40-32nb
1.02.34	25nb	1.02.48	40nb
1.02.42	32nb	1.02.60-48	50-40nb
1.02.42-48	32-40nb	1.02.60	50nb
1.02.48-34	40-25nb		



1.02 - SHORT TEE CAPPED

1.02.48-42C	40nb (post) - 32nb (rail)
--------------------	---------------------------



1.03 - SHORT TEE 0-11°

1.03.34	25nb
1.03.42	32nb
1.03.48	40nb



1.04 - LONG TEE

1.04.27	20nb	1.04.42-48	32-40nb
1.04.34	25nb	1.04.48	40nb
1.04.42	32nb	1.04.60	50nb



1.05 - INTERNAL SWIVEL TEE PIPE CLAMP

1.05.34	25nb
1.05.42	32nb
1.05.48	40nb



1.06 - LONG TEE 0-11°

1.06.34	25nb
----------------	------



1.07 - ADJUSTABLE TEE 30-60°

1.07.34	25nb
1.07.42	32nb
1.07.48	40nb



1.08 - CLAMP ON TEE

1.08.34	25nb
1.08.42	32nb
1.08.48	40nb



2.01 - TWO SOCKET CROSS

2.01.27	20nb	2.01.48-42	40-32nb
2.01.34	25nb	2.01.48	40nb
2.01.42	32nb	2.01.60	50nb
2.01.48-34	40-25nb		



2.02 - THREE WAY MID CORNER

2.02.27	20nb	2.02.48-34	40-25nb
2.02.34	25nb	2.02.48	40nb
2.02.42	32nb	2.02.60	50nb



2.03 - THREE WAY TOP CORNER

2.03.27	20nb	2.03.48	40nb
2.03.34	25nb	2.03.48-42	40-32nb
2.03.42	32nb	2.03.60	50nb



2.04 - TWO SOCKET CROSS 30-45°

2.04.34	25nb
2.04.42	32nb
2.04.48	40nb



2.05 - SIDE OUTLET CROSS

2.05.27	20nb
2.05.34	25nb
2.05.42	32nb
2.05.48	40nb
2.05.60	50nb



2.06 - FOUR SOCKET CROSS

2.06.27	20nb
2.06.34	25nb
2.06.42	32nb
2.06.48	40nb



2.08 - CROSSOVER 90°

2.08.27	20nb	2.08.48-42	40-32nb
2.08.34	25nb	2.08.48	40nb
2.08.42	32nb	2.08.60	50nb
2.08.48-34	40-25nb		





2.09 - CLAMP-ON CROSSOVER 90°

2.09.34	25nb
2.09.42	32nb
2.09.48	40nb



2.10 - ADJUSTABLE SWIVEL CROSS

2.10.34	25nb	2.10.48	40nb
2.10.42	32nb	2.10.60	50nb
2.10.48-42	40-32nb		



2.11 - TWO SOCKET CROSS 0-11°

2.11.34	25nb
2.11.42	32nb
2.11.48	40nb



4.04 - VERTICAL BASE RAILING SUPPORT

4.04.34	25nb
4.04.42	32nb
4.04.48	40nb



4.05 - BASE FLANGE 0-11°

4.05.42	32nb
4.05.48	40nb



4.06 - HANDRAIL SUPPORT

4.06.27	20nb
4.06.34	25nb
4.06.42	32nb
4.06.48	40nb



3.01 - ELBOW 90°

3.01.27	20nb	3.01.48	40nb
3.01.34	25nb	3.01.60	50nb
3.01.42	32nb		



3.02 - ELBOW 79-101°

3.02.34	25nb
3.02.42	32nb
3.02.48	40nb



3.03 - ELBOW 30-60°

3.03.34	25nb
3.03.42	32nb
3.03.48	40nb



4.07 - RAILING BASE FLANGE 45-60°

4.07.48	40nb
----------------	------



4.11 - SWIVEL BASE

4.11.27	20nb	4.11.48	40nb
4.11.34	25nb	4.11.60	50nb
4.11.42	32nb		



4.12 - BASE FLANGE 4 HOLE

4.12.42	32nb
4.12.48	40nb



4.01 - WALL FLANGE

4.01.27	20nb	4.01.48	40nb
4.01.34	25nb	4.01.60	50nb
4.01.42	32nb		



4.02 - RAILING BASE FLANGE

4.02.27	20nb	4.02.48	40nb
4.02.34	25nb	4.02.60	50nb
4.02.42	32nb		



4.03 - HORIZONTAL BASE RAILING SUPPORT

4.03.34	25nb
4.03.42	32nb
4.03.48	40nb



4.13 - SIDE PALM

4.13.34	25nb
4.13.42	32nb
4.13.48	40nb



4.20 - SINGLE SIDED COLLAR PLATE

4.20.34	25nb
4.20.42	32nb
4.20.48	40nb



4.21 - DOUBLE SIDED COLLAR PLATE

4.21.48	40nb
----------------	------





5.01 - MALE SINGLE SWIVEL

5.01.27	20nb
5.01.34	25nb
5.01.42	32nb
5.01.48	40nb



5.02 - MALE DOUBLE SWIVEL

5.02.34	25nb
5.02.42	32nb
5.02.48	40nb



5.03 - MALE CORNER SWIVEL

5.03.34	25nb
5.03.42	32nb
5.03.48	40nb



6.01 - STRAIGHT COUPLING

6.01.27	20nb	6.01.48	40nb
6.01.34	25nb	6.01.60	50nb
6.01.42	32nb		



6.03 - INTERNAL COUPLING

6.03.42	32nb
6.03.48	40nb



6.04 - HOOK

6.04.34	25nb
6.04.42	32nb
6.04.48	40nb



5.04 - ADJUSTABLE MALE SWIVEL

5.04.42	32nb
5.04.48	40nb



5.09 - FEMALE SINGLE SWIVEL

5.09.27	20nb	5.09.48	40nb
5.09.34	25nb	5.09.60	50nb
5.09.42	32nb		



5.10 - FEMALE HEX SWIVEL

5.10.42	32nb
5.10.48	40nb



6.06 - COLLAR

6.06.34	25nb
6.06.42	32nb
6.06.48	40nb



6.08 - FEMALE GATE HINGE

6.08.34	25nb
6.08.42	32nb
6.08.48	40nb



6.09 - MALE GATE HINGE

6.09.34	25nb
6.09.42	32nb
6.09.48	40nb



5.11 - SINGLE SWIVEL COMBINATION

5.11.27	20nb
5.11.34	25nb
5.11.42	32nb
5.11.48	40nb



5.12 - DOUBLE SWIVEL COMBINATION

5.12.34	25nb
5.12.42	32nb
5.12.48	40nb



5.13 - CORNER SWIVEL COMBINATION

5.13.34	25nb
5.13.42	32nb
5.13.48	40nb



A.7.02.42 - SWIVEL SUPPORT SADDLE

A.7.02.42	32nb
-----------	------



A.7.07.UNI - HANDRAIL SADDLE

A.7.07.UNI	32nb
------------	------



A.7.09.UNI - HANDRAIL WALL SADDLE

A.7.09.UNI	32nb or 40nb
------------	--------------



NOTES

A large grid of dots for taking notes, spanning the width of the page.

OUR BRANCHES

Please don't hesitate to contact us with any queries, issues or ideas you'd like to discuss. We're more than happy to help. You can also check out our range, or speak to the team in person, at any of our showrooms below.

NORTH AUCKLAND BRANCH

20 Anvil Road
Silverdale, Auckland 0932

Monday - Friday: 8:00 am - 4:30 pm

+64 (09) 427 4980
crew@edgesmith.co.nz



SOUTH AUCKLAND BRANCH

20 Kerwyn Avenue
East Tamaki, Auckland

Monday - Friday: 8:00 am - 4:30 pm

+64 (09) 427 4980
crew@edgesmith.co.nz





PERIMETER PERFECTION

North Auckland Branch

20 Anvil Road, Silverdale
Auckland 0932

Monday - Friday:

8.00am - 4.30pm

T: 09 427 4980

E: crew@edgesmith.co.nz

South Auckland Branch

20 Kerwyn Avenue, East Tamaki
Auckland 2013

www.edgesmith.co.nz