



QUFRESH

Fresh Air is Better Air

100 Washington Rd Mineral Wells, TX 76067

QUF100X

Specification Sheet

BLOWER:

- High Efficiency Constant Airflow ECM motor engineered for continuous operation
- Airflow settings: 50, 80, or 100 CFM
- Dynamically balanced centrifugal blower wheel for quiet, efficient performance

HOUSING:

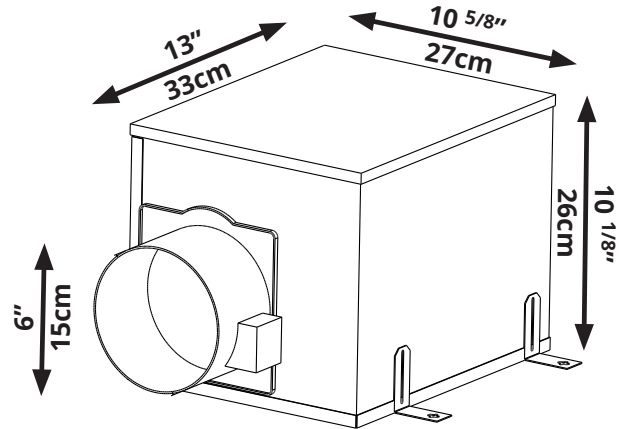
- Can be mounted in any orientation to studs or joists with included brackets
- Rugged, galvanized steel construction. Overall Dimensions: 13" x 10 5/8" x 10 1/8"
- 6" round ducting, intake includes test port for airflow measurement
- Built-in motorized damper: Open when QuF fan runs, power close when QuF fan cycles/powers off
- Accepts 10 x 10 x 2 (nominal) filter up to MERV16
- 1/2" electrical connection - Hardwired by electrician

CONTROLS:

- Accepts signal from Energy Management system
- Internal temperature and humidity limits sensor, internal timer
- Off/On/Energy Savings modes
- Balanced ventilation contacts

Accessories:

- MERV-13 Air Filter QF10102-M13
- MERV-16 Air Filter QF10102-M16



EXPANDED PERFORMANCE

Airflow Setting	Static Pressure (Inches of w.g.)				Max Recommended	Motor RPM	Watts	CFM / Watt**	Volts	Amps
	0.100	0.200*	0.300	0.400						
100	100	100	100	100	85	1050	12.0*	9.1	120	0.3
80	80	80	80	80	72	990	9.1	9.3		
50	50	50	50	50	42	952	6.4	8.2		

*HVI Certified Values

**As Tested

REFERENCE	QTY	REMARKS	Project
			Location
			Architect
			Engineer
			Contractor
			Submitted By
			Date

www.QuFresh.com

866.499.3700