



Mayborn (UK) Limited,
Balliol Business Park,
Newcastle upon Tyne
NE12 8EW, UK

Mayborn (UK) Limited retains all intellectual property rights to this product.

TOMMEE TIPPEE®. Copyright © 2021.

Made in China.

Model number: BMM3802
Voltage: 220-240V ~ 50-60Hz

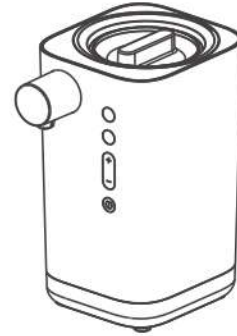


Any questions?
Visit our website
tommeetippee.com



智能冲奶水機

使用說明書



請細閱及保存此說明書

42322638

重要警告！

說明書也可以在 tommeetippeehkeshop.com 找到。

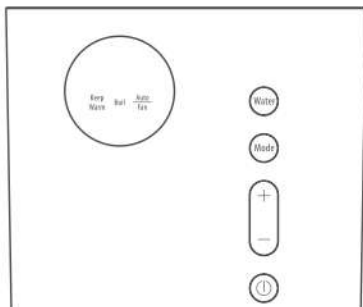
此說明書內有重要資訊，請保留以供日後參考。

- 在準備配方奶時，請始終遵循配方奶製造商的說明。
- 本設備僅供室內使用，請勿在戶外使用。
- 在食用前或保溫24小時后，跟換清水並將水煮沸
- 在首次插入機器之前，透過檢查設備底座上的標籤，確保電壓與您的電源相容。
- 在打開設備之前，請確保已將清水添加到設備中。
- 不要將設備浸入水中，防止火災，觸電和人身傷害。
- 請勿將電源線、插頭或設備的其他部分浸入水或其他液體中。
- 誤用產品可能會導致火災、觸電、或人身傷害的風險，兒童不得單獨使用本設備。
- 將設備及其電源線放在兒童接觸不到的地方。
- 注水時請勿超出最大水位指示線。
- 身體、感官或精神能力下降或缺乏經驗和知識的人員在安全監督或指導才可使用電器。
- 本產品不需要除清潔和除垢以外的用戶維護。
- 清潔和用戶維護不得由兒童進行。
- 表面在使用過程中容易變熱。請在平坦的耐熱表面上使用，並勿移動的環境內使用此設備。

- 請勿在水沸騰時打開蓋子
- 不要接觸熱表面，在處理前讓其冷卻。
- 請勿使用已損壞的電源線或插頭操作任何設備。如果電源線損壞，則必須由合格的人員更換以避免危險。
- 不要讓電源線懸在廚房工作檯面的邊緣或接觸熱表面。
- 請勿使用其他製造商生產的配件或零件，也不要使用 Tommee Tippee 不推薦的配件或零件
- 在拆卸產品的任何部分和清潔產品時，始終斷開產品並拔下插頭
- 請勿使用滅菌器或微波爐設備對產品配件進行消毒
- 本產品僅供家庭使用。不適當的操作將導致產品保修失效，Tommee Tippee 不對不適當的操作負責
- 使用時確保注入清水，切勿空箱運作。
- 任何破損或損壞，請聯係我們的授權服務中心
- 因產品使用不當、拆卸或安裝不當而造成的任何損壞均不在產品保修範圍內

產品規格

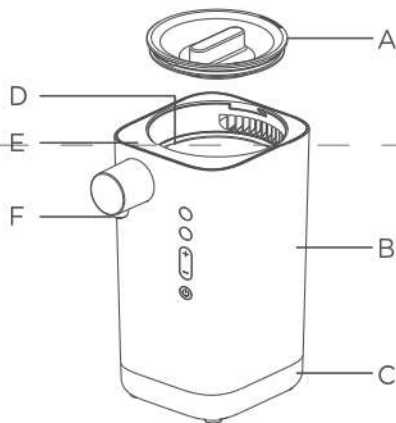
- 產品名稱：智能沖奶水機
- 型號：BMM3802
- 額定功率：220-240V ~ 50-60Hz
- 加熱功率：800W
- 最大容量：1.5L
- 產品尺寸：150 X 207 X (H)280mm
- 使用環境：室內



開機操作

- 將機器連接到電源，您將聽到「嗶嗶」聲，數字顯示幕將閃爍1秒並關閉
- 觸摸電源按鈕ⓐ，當前水溫將顯示在數字顯示幕上
- 按"模式"選擇"Auto/Fan"，"Boil"或"Keep Warm"功能
- 按 + / - 選擇首選溫度設置
- 按「Water」從鍋爐釋放水
- 如果在2分鐘內未被觸摸，機器將變為兒童鎖定模式
- 當機器鎖定時，按電源按鈕解鎖兒童鎖定模式
- 要通過長按按鈕ⓐ1.5秒鐘來關閉機器電源

產品部件



項目	名稱	材質	最高溫度	最低溫度	數量
A	機蓋	食品級 PP	120°C	-20°C	1
B	主機	PP	120°C	-20°C	1
C	機座	PP	120°C	-20°C	1
D	水箱	SUS316	---	---	1
E	控制台	食品級 PP	120°C	-20°C	1
F	出水口	食品級 PP	120°C	-20°C	1

操作準備

- 將水加入水箱中。最大水位不應超過水箱內壁上的最大線 - "MAX"。
- 為了去除產品的氣味，建議在首次使用時將水添加到最大水位並煮沸。按住「Water」按鈕排出一部分水，然後從水箱中倒出剩餘的水。

注意：

- 建議使用蒸餾水，不建議使用自來水或礦泉水，因為礦物質會弄髒熱板。
- 水箱僅用於裝滿水，不要用任何其他液體填充。

功能與操作

保溫

- 觸摸「Mode」鍵並選擇「Keep Warm」功能，直到指示燈亮起
- 按 + / - 鍵可調節首選水溫（範圍從 38°C 到 85°C）
- 當您聽到「嗶嗶」聲時，設置已完成

備注：

- 當水溫低於預設溫度時，機器會加熱水直到預設溫度
- 當水溫高於預設溫度時，機器將允許自然冷卻至預設溫度
- 機器在24小時未被使用將自動關閉。出於家庭健康問題，請於每24小時更換一次清水並重新煮沸

煲水

- 按「Mode」鍵，選擇「Boil」功能，按「+/-」鍵設置加熱溫度。選擇溫度值后，機器在「嗶」聲音后開動煲水功能。

注意：

- 當選擇「Boil」功能時，機器將水煮沸至100°C，然後自然冷卻至預設溫度
- 機器在24小時未被使用將自動關閉。出於家庭健康問題，請於每24小時更換一次清水並重新煮沸。

自動/風扇功能

- 觸摸按鈕選擇「Auto/Fan」功能，您將聽到雙重「嗶嗶」聲。機器將檢測當前的水溫。如果目前水溫低於預設溫度，機器將開始沸騰至100°C，然後加速冷卻至預設溫度
- 如果當前水溫高於預設溫度，機器將啟動冷卻功能，直到水達到預設溫度
- 機器在24小時未被使用將自動關閉。出於家庭健康問題，請於每24小時更換一次清水並重新煮沸。

出水

- 按下「Water」按鈕一次，機器將出水約 50 毫升
- 長按「Water」按鈕，機器將連續出水，直到您鬆開按鈕

備注：

- 當您看到閃爍的故障代碼"E2"或"E3"時，請檢查水位或加水以防止乾涸

記憶

- 當選擇「Keep Warm」和「Boil」功能而不關閉電源時，將恢復上次使用的溫度
- 關機後，出廠預設溫度將恢復為「Keep Warm」和「Boil」模式

清潔與保養

- 使用后立即清潔
- 請勿將主機浸入水中
- 請勿使用漂白劑或化學溶液/片劑於本設備
- 請勿使用鋼絲球、磨蝕性清潔劑或腐蝕性液體，如汽油、丙酮或片劑，用於本設備

清洗方法

- 從插座上拔下電源插頭
- 取下蓋子
- 從水箱中倒出水
- 用乾毛巾或乾棉布擦拭水箱

注意：如果使用後，請在清潔前讓機器冷卻。

水箱的清潔和除垢

- 將10g of檸檬酸或30ml醋與100ml純淨水混合到水箱中
- 選擇「Boil」功能，煮沸後斷開電源
- 倒出乙酸或醋溶液，用乾毛巾或棉布擦拭表面
- 使用毛巾或棉布擦拭加熱板，直到其清潔
- 保持水箱盡可能乾燥，以防止細菌生長

故障排除

- 在致電服務供應商之前，請檢查以下可能的原因

問題	可能的原因	如何修復
機器無法加熱	恆溫器斷開電源連接	等待設備冷卻並重新啟動電源
	穩定溫度低於實際水溫	按照操作說明重置溫度
數字顯示幕上顯示「E3」錯誤	水箱缺水	添加更多水



Mayborn (UK) Limited,
Balliol Business Park,
Newcastle upon Tyne
NE12 8EW, UK

Mayborn (UK) Limited retains all intellectual property rights to this product.

TOMMEE TIPPEE®. Copyright © 2021.

Made in China.

Model number: BMM-3802
Voltage: 220-240V ~ 50-60Hz



Any questions?
Visit our website
tommeetippee.com

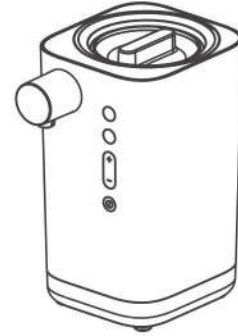


- Cleaning and user maintenance shall not be made by children.
- The surfaces are liable to get hot during use. Always use on a flat heat resistant surface. Do not move appliance when in use
- Do not open the lid while water is boiling
- Do not touch hot surfaces, allow to cool before handling.
- Do not operate any appliance with a damaged cord or plug or after the appliance malfunctions or has been damaged in any manner.
- If the supply cord is damaged it must be changed by a qualified person to avoid a hazard.
- Do not let the cord hang over edge of kitchen work surface or touch hot surfaces.
- Do not use accessories or parts produced by other manufacturer or not recommended by Tommee Tippee
- Always disconnect the product and unplug it before disassembling any part of the product and when cleaning the product
- Do not use a sterilizer or microwave oven to disinfect any parts of the appliance
- This product is designed for household use only. The inappropriate operation will lead to invalidation of product warranty and Tommee Tippee is not responsible for inappropriate operating
- Always use this product with water. Do not use when empty.
- Any breakage or damages, please send to our authorized service center
- Any damage caused by improper use of the product, dis-assembly or improper installation, will not be covered by product warranty



Water Regulator For Feed Prep

INSTRUCTIONS FOR USE



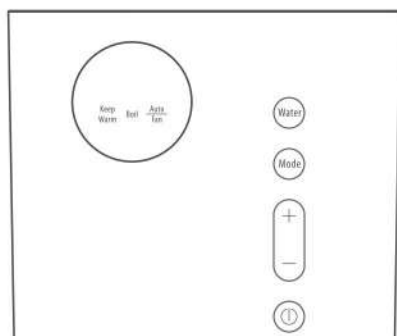
Please read and keep these instructions

42322638

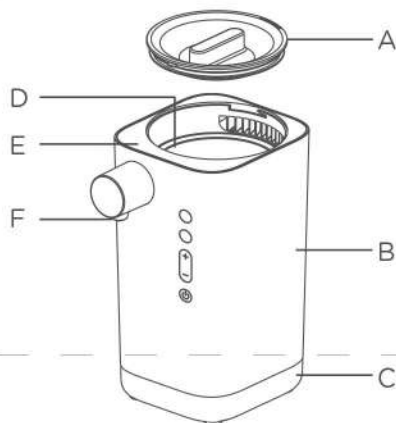
- IMPORTANT WARNINGS!**
These instructions can also be found at www.tommeetippee.com
Keep this instruction leaflet for future reference as it includes important information.
- Always follow formula milk manufacturer's instruction when preparing milk for feeding
 - This appliance is intended for household use only. Do not use outdoors.
 - Always boil water before serving or after keeping warm for 24 hours
 - Before plugging in the machine for the first time ensure that the voltage is compatible with your electricity supply by checking the label on the base of the unit.
 - Ensure water has been added to the unit before switching the unit on.
 - Do not immerse in water. To protect against fire, electric shock, and injury to persons.
 - Do not immerse cord, plugs or other parts of the unit in water or other liquid.
 - Misuse of the product may result in the risk of fire, electric shock and/or personal injury. This appliance shall not be used by children.
 - Keep the appliance and its cord out of reach of children.
 - Do not pour in water above the maximum water level indication line.
 - Appliances can be used by persons with reduced physical, sensory, or mental capabilities or lack of experience and knowledge if they have been given supervision or instruction concerning use of the appliance in a safe way and understand the hazards involved.
 - Children shall not play with the appliance. User maintenance other than cleaning and descaling is not required for this product.

Technical Specification

- Product Name : Water Regulator For Feed Prep
- Model no. : BMM-3802
- Rate Power : 220-240V ~ 50-60Hz
- Heating Power : 800W
- Maximum capacity : 1.5L
- Product Size : 150 x 207 x (H)280mm
- Net Weight : 1.55kg
- Gross Weight : 1.85kg
- Using Condition : indoor



Parts of Product



Item	Name	Material	Heat resistance	Cold resistance	Quantity
A	Cover	Food grade PP	120°C	-20°C	1
B	Main body	PP	120°C	-20°C	1
C	Base	PP	120°C	-20°C	1
D	Water tank	SUS316	---	---	1
E	Top panel	Food grade PP	120°C	-20°C	1
F	Water outlet	Food grade PP	120°C	-20°C	1

Preparation for Operation

- Add water into the tank. The maximum water level should not exceed the maximum line - "MAX" on the inner wall of the tank.
- In order to remove the odor of the product, it is suggested that water is added to the maximum water level and boiled when used for the first time. Press and hold the 'Water' button to drain a portion of water and pour out the remaining portion from the tank.

Note:

- It is recommended to use distilled water, not recommended to use tap water or mineral water as minerals would stain the hot plate.
- The tank is only intended to be filled with water. Do not fill with any other liquid.

FUNCTIONS & OPERATIONS

Keep warm

- Touch "Mode" key and select "Keep Warm" function till indicator light up
- Press +/- key to adjust preferred water temperature (range from 38C to 85C)
- The setting is completed when you hear the "beep" sound

Note:

- When the water temperature is lower than pre-set temperature, the machine will heat up the water till the pre-set
- When the water temperature is higher than pre-set temperature, the machine will allow naturally cool down to pre-set temperature
- The machine will shut down automatically after 24 hours without using. For family health concerns, please change the water and re-boil in every 24 hours without using.

Boil

- Press on the "Mode" key, select the "Boil" function, and press the "+/-" key to set the heating temperature. After a temperature value has been selected, the machine would produce a "di" sound and would start boiling.

Note:

- When "Boil" function is selected, the machine will boil water to 100C, then cooling down naturally to pre-set temperature
- The machine will shut down automatically after 24 hours without using. For family health concerns, please change the water and re-boil in every 24 hours without using.

Auto / Fan

- Select "Auto / Fan" function by touching Mode button, you will hear double "beep" sound. The machine will detect current water temperature. If the current water temperature is lower than preset temperature, the machine will start to boil to 100C before it cools down to pre-set temperature
- If the current water temperature is higher than pre-set temperature, the machine will start its cooling function until the water reach to pre-set temperature

The machine will shut down automatically after 24 hours without using. For family health concerns, please change the water and re-boil in every 24 hours without using.

Water

- Press "Water" button once, the machine will dispense 50ml water
- Press & hold "Water" button, the machine will dispense water continuously until you release the button

Note:

- When you see flashing fault code "E2" or "E3", please check the water level or add water to prevent dry up

Memory

- When "Keep Warm" & "Boil" functions being selected without power off, the last used temperature will be restored
- After power off, the factory default temperature will be restored to "Keep Warm" & "Boil" mode

CLEANING & MAINTENANCE

- Clean immediately after use
- Do not immerse the main unit in water
- Do not use the bleaching or chemical solution / tablets for this appliance
- Do not use steel wool, abrasive cleansers, or corrosive liquid, such as petrol, acetone, or tablets for this appliance

Cleaning Method

- Disconnect the power plug from outlet
- Remove the cover
- Pour out the water from tank
- Wipe the water tank with a dry towel or a dry cotton cloth

Note: If after use, please allow the machine to cool down before cleaning.

CLEANING & DESCALING FOR HEATING PLATE

- Mix 10g of citric acid or 30ml vinegar with 100ml purified water into the water tank
- Select the "Boil" function and disconnect from the power supply after boiling
- Pour out the acetic acid or vinegar solution and wipe the surface with a dry towel or cotton cloth
- Use towel or cotton cloth to wipe the heating plates until it's clean
- Keep the tank as dry as possible to prevent bacteria growth

TROUBLESHOOTING

- Before calling a service supplier, please check the following possible causes

Problem	Possible Causes	How to Fix
The machine cannot heat up	Thermostat disconnection	Wait for the appliance to cool down and restart the power
	The settling temperature is lower than the actual water temperature	Follow the operation instructions to reset the temperature
"E3" error is shown on digital display	The water tank is out of water	Add more water