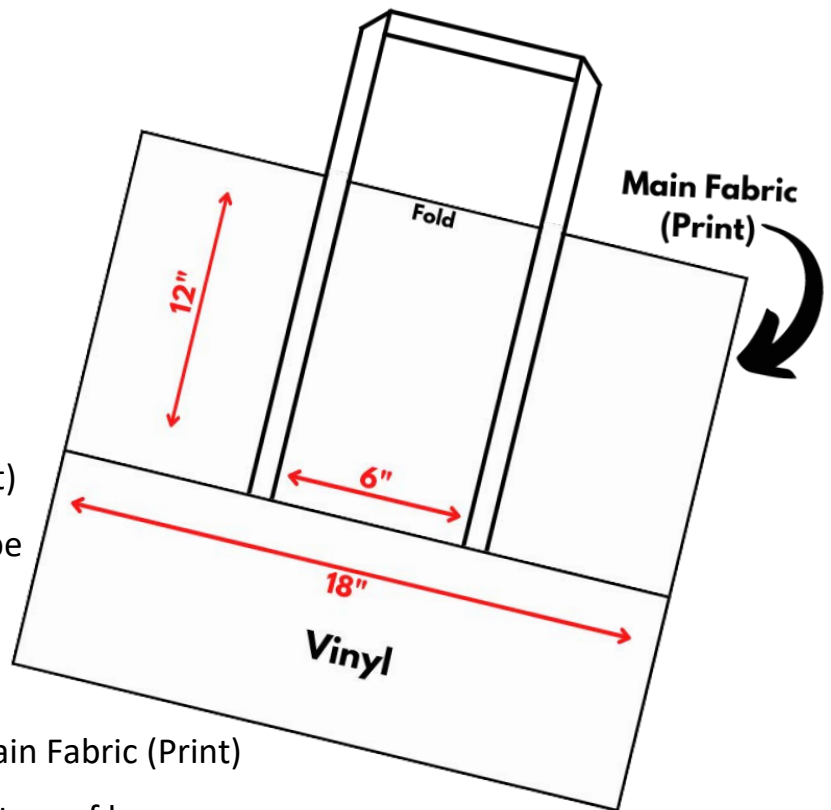


## Pat's 6-Step Easy Tote Bag Instructions:

### Supply List:

- 2/3 yds Main Fabric (Print)
- 1/3 yds Double-Sided Fusible In-R-Form Foam Interfacing
- 3 yds webbing
- 1/4 yd of Vinyl (OR 18" x 27" Precut)
- ¼" OR ½" Double-Sided Basting Tape



### Cutting Measurements:

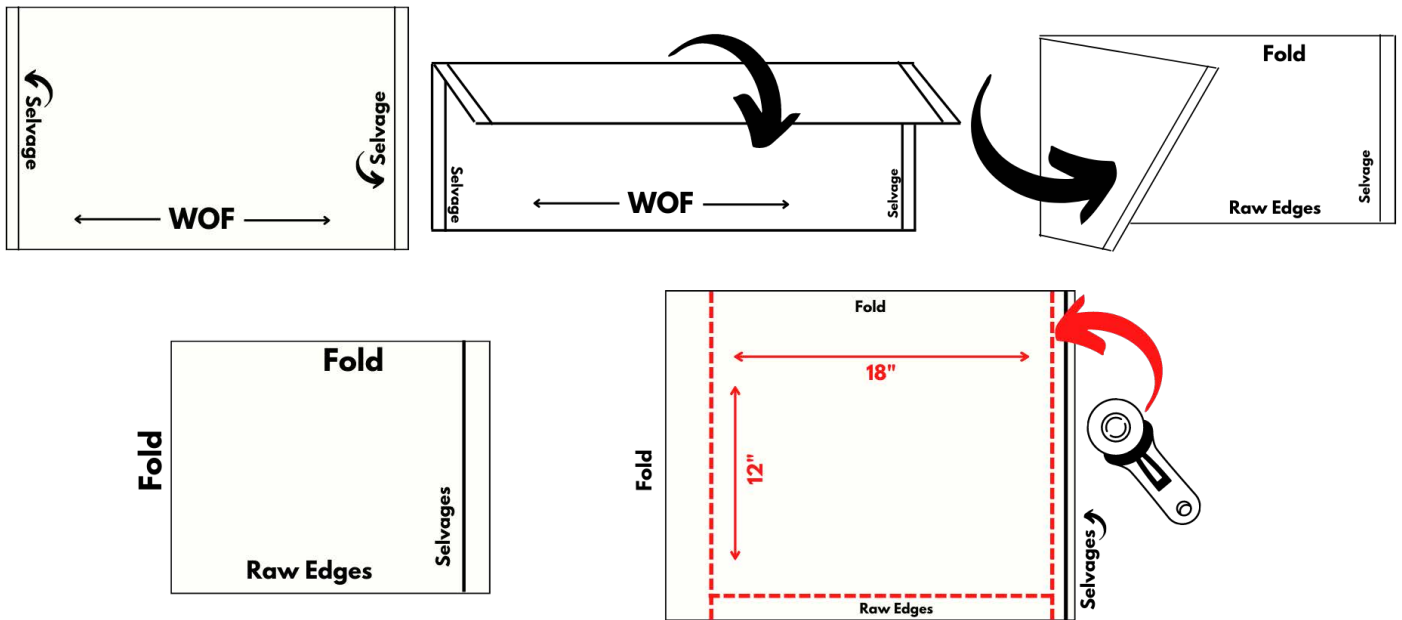
- (2 pcs) 18" x 24" (12" ON FOLD) Main Fabric (Print)
- (2 pcs) 18" x 5 1/2" of Vinyl for bottom of bag
- (2 pcs) 42" Long of Webbing
- (2 pcs) 18" x 11 1/2" of Double-Sided Fusible In-R-Form Interfacing

### Step 1: Measure & Cut All Of Your Pieces!

Follow the Cutting Measurements list above, and cut all of your pieces before you begin sewing the bag together. This will make everything MUCH quicker when you sit down at your sewing machine.

**Important Tip:** When you are cutting the fabric for the top of your bag, first open the piece of fabric up, and fold it lengthwise, right sides out, selvages together on opposite sides. Your raw cut edges should be together as well.

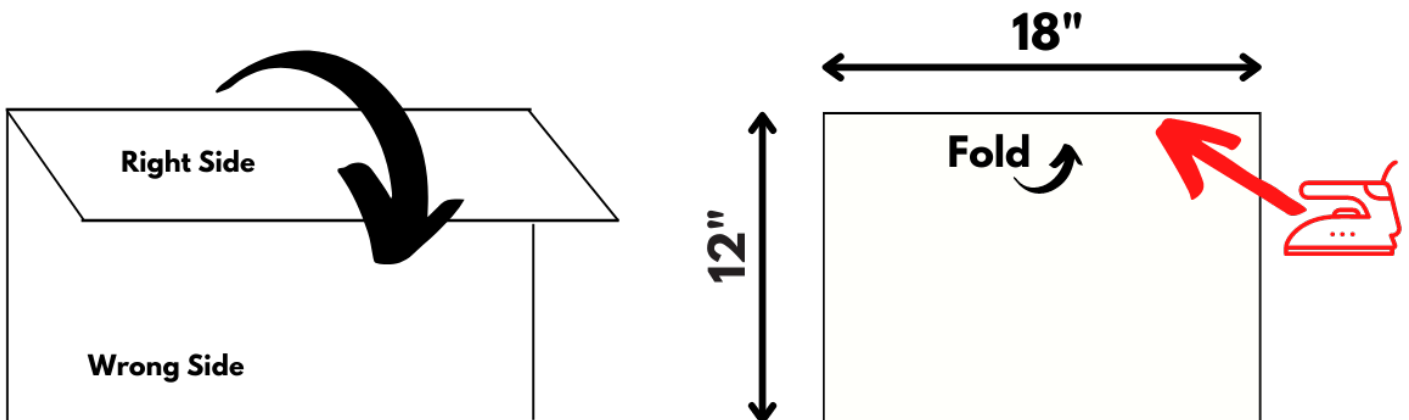
Then, fold your fabric so that your selvages meet.



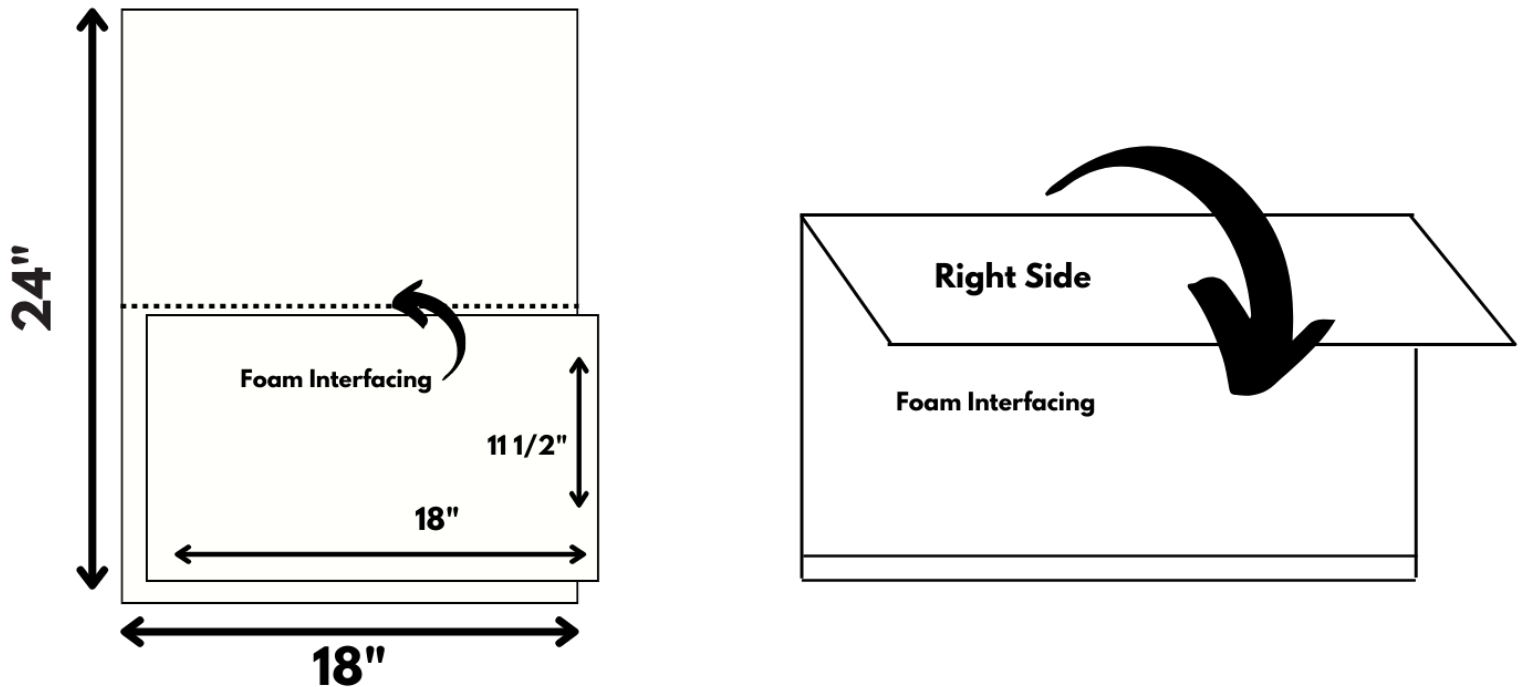
Now cut your 18" x 12" pieces on the fold, starting at the selvage side. Then cut the other two edges to the right size. See image below.

## **Step 2: Construct The Top Of Your Bag!**

To give yourself a guideline mark, first gently press your two main fabric pieces on the fold. That fold line is where your foam is going to go. See Image Below.



Open your main pieces again, and place your Bosal Foam so that it lines up with your ironed mark. Fold your main fabric back down over the foam. There is going to be about 1/2" on the bottom of your main bag that won't have foam interfacing in it. This is so that your seam is less bulky on the bottom when you stitch your vinyl on.



Fuse the Bosal Foam into the both sides of the main pieces of your bag starting at the bottom (raw edge) and work your way to the top of the bag.

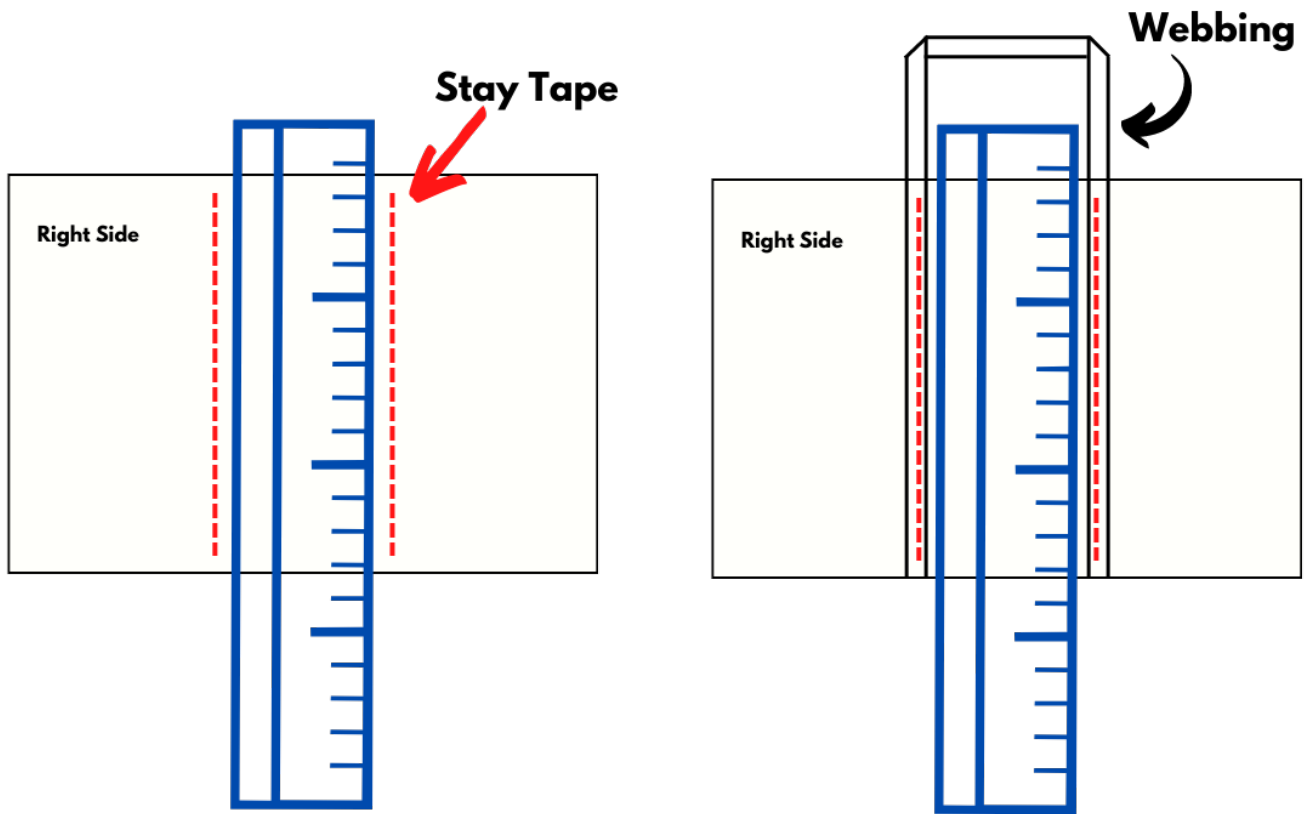
***Important Tip:*** When you are fusing your foam, use some steam OR mist your fabric with water. Also be sure you PRESS instead of dragging your iron.

Trim the excess foam on the sides of your main fabric, making sure both main pieces are the same size. Sometimes fabric shifts and shrinks when you press it.

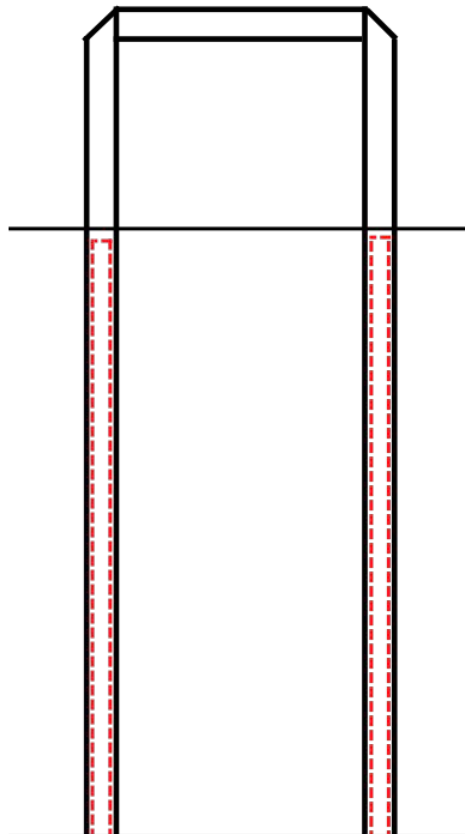
Now is when you can quilt or embellish your main pieces if you want, but this is optional. It is just easier to quilt these pieces *BEFORE* you stitch your straps on.

### **Step 3: Place & Stitch Down Your Straps!**

Using a standard 6" quilting ruler, find the center of your main pieces and place the ruler there as a guideline. Stick a strip of basting tape on either side of the ruler. Then place your webbing onto the stay tape, butting the webbing up against your quilting ruler. See image below.

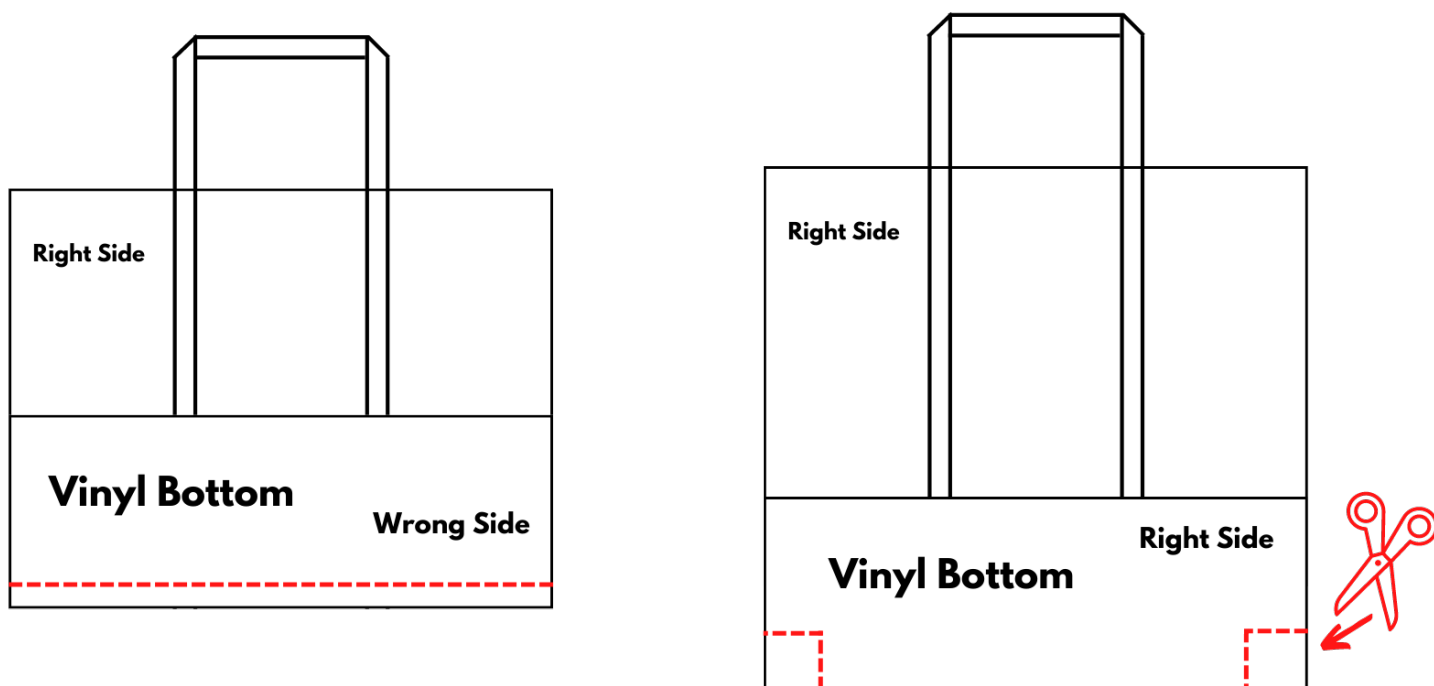


Stitch the webbing to both main pieces of your bag. Begin at the bottom. Pivot so that you stitch the top edge, and pivot again ending at the bottom of the other side of the webbing. See image below.



#### **Step 4: Sew The Top Of The Bag To The Bottom!**

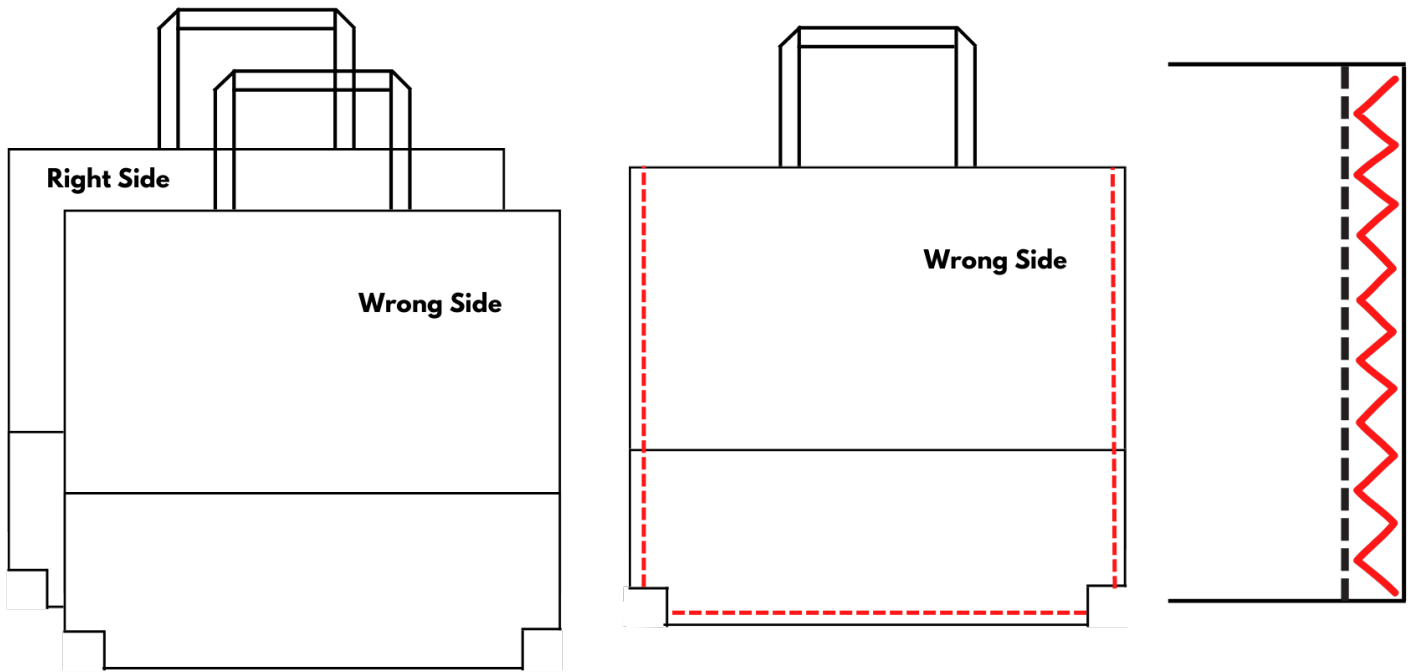
Place the vinyl bottoms that you cut onto the main pieces of your bag, right sides together. Use Clover clips to keep the layers together, and stitch a ½” seam allowance at the bottom. Then topstitch either on the bag front or on the vinyl (your choice) and cut 1 ½” squares on the corners of your Vinyl bag bottom. See image below.



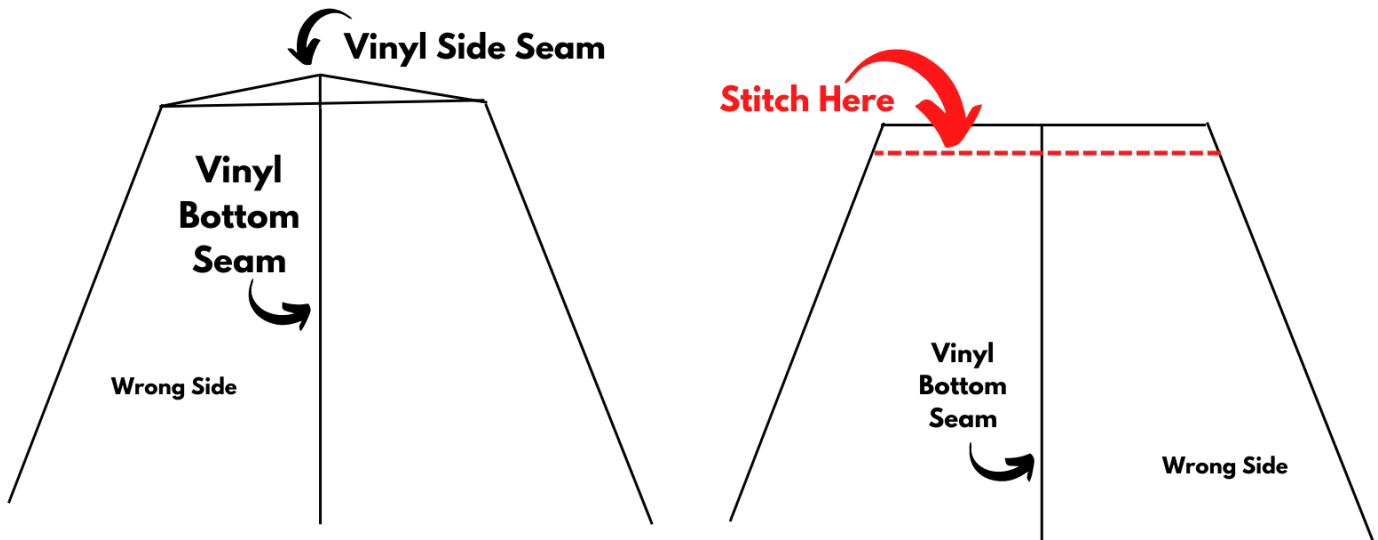
**Important Tip:** Use a Teflon foot if your vinyl is sticky! Also, when you are topstitching the bag bottom to the main piece, use a longer stitch length. This will make your bag look more professional!

#### **Step 5: Sew The Sides, Bottom, & Box Corners!**

Place both sides of your bag right sides together, and stitch a ½” seam allowance on both sides and bottom of bag. Since the edges of the tote bag will show on the inside of your bag, you are going to want to “finish your seam” with your serger if you have one OR using a zig-zag stitch on the seam allowance. This will make your bag look more professional! See image below.



Now box the corners of your bag. To box the corners, you have to bring the side seam of your vinyl bottom to the bottom seam of the bag. Hold this in place with clips if you need to. Stitch a ½” seam allowance, and stitch over the same stitch again to reinforce this seam. Watch Pat demonstrate this in her tutorial for a good visual on how this should be done. See image below.



### **Step 6: Turn Your Bag Inside Out!**

Once you turn your bag inside out, you are finished! It's time to get another Easy Tote Bag Kit, and get started on your NEXT one! These make great gifts, and they are so fun to carry around! Happy Sewing!