



Free Spirit

Crown Jewels Quilt

Featuring Parisville Déjà Vu by
Tula Pink

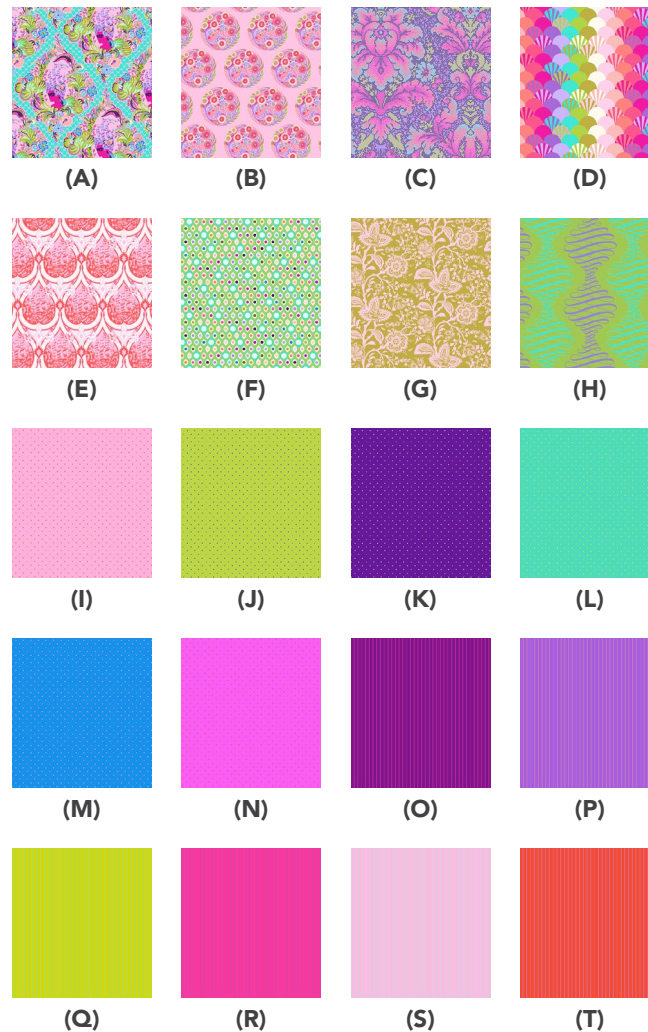
Collection:	Parisville Déjà Vu by Tula Pink
Technique:	Pieced, using templates
Skill Level:	Advanced
Finished Size:	60" x 75" (1.52m x 1.91m)

All possible care has been taken to assure the accuracy of this pattern. We are not responsible for printing errors or the manner in which individual work varies. Please read the instructions carefully before starting this project. If kitting, it is recommended a sample is made to confirm accuracy.

Project designed by Stacey Day | Tech edited by Alison M. Schmidt

Fabric Requirements

DESIGN	COLOR	ITEM ID	YARDAGE
(A) Cameo	Sorbet	PWTP187.SORBET	2 yards (1.83m)
(B) Topiary	Strawberry	PWTP188.STRAWBERRY	$\frac{3}{8}$ yard (0.34m)
(C) Damask Dot	Violet	PWTP189.VIOLET	$1\frac{3}{4}$ yards (1.60m)
(D) Fans	Sorbet	PWTP190.SORBET	$\frac{1}{2}$ yard (0.46m)
(E) Sea of Tears	Melon	PWTP191.MELON	$\frac{1}{2}$ yard (0.46m)
(F) Eye Drops	Mint	PWTP192.MINT	$\frac{1}{4}$ yard (0.23m)
(G) French Lace	Hazelnut	PWTP193.HAZELNUT	$\frac{1}{3}$ yard (0.31m)
(H) Spencer Stripe	Pistachio	PWTP194.PISTACHIO	$\frac{1}{4}$ yard (0.23m)
(I) Tiny Dots	Candy	PWTP185.CANDY	$\frac{1}{8}$ yard (0.11m)
(J) Tiny Dots	Meadow	PWTP185.MEADOW	$\frac{1}{8}$ yard (0.11m)
(K) Tiny Dots	Opal	PWTP185.OPAL	$\frac{1}{8}$ yard (0.11m)
(L) Tiny Dots	Peacock	PWTP185.PEACOCK	$\frac{1}{8}$ yard (0.11m)
(M) Tiny Dots	Sky	PWTP185.SKY	$\frac{1}{8}$ yard (0.11m)
(N) Tiny Dots	Thistle	PWTP185.THISTLE	$\frac{1}{8}$ yard (0.11m)
(O) Tiny Stripes	Aster	PWTP186.ASTER	$\frac{1}{8}$ yard (0.11m)
(P) Tiny Stripes	Honesty	PWTP186.HONESTY	$\frac{1}{8}$ yard (0.11m)
(Q) Tiny Stripes	Moonglow	PWTP186.MOONGLOW	$\frac{1}{8}$ yard (0.11m)
(R) Tiny Stripes	Mystic	PWTP186.MYSTIC	$\frac{1}{8}$ yard (0.11m)
(S) Tiny Stripes	Petal	PWTP186.PETAL	$\frac{1}{8}$ yard (0.11m)
(T) Tiny Stripes	Wildfire	PWTP186.WILDFIRE	$\frac{1}{8}$ yard (0.11m)



continued...

Fabric Requirements (continued...)

DESIGN	COLOR	ITEM ID	YARDAGE
(U) Designer Essential Solids	Amethyst	CSFSESS.AMETHYST	1/8 yard (0.11m)
(V) Designer Essential Solids	Carnelian	CSFSESS.CARNELIAN	1/8 yard (0.11m)
(W) Designer Essential Solids	Cornflower	CSFSESS.CORNF	1/8 yard (0.11m)
(X) Designer Essential Solids	Cosmo	CSFSESS.COSMO	1/8 yard (0.11m)
(Y) Designer Essential Solids	Hibiscus	CSFSESS.HIBIS	1/8 yard (0.11m)
(Z) Designer Essential Solids	Limeade	CSFSESS.LIMEA	1/8 yard (0.11m)
(AA) Designer Essential Solids	Matcha	CSFSESS.MATCHA	1/8 yard (0.11m)
(AB) Designer Essential Solids	Seabreeze	CSFSESS.SEABR	1/8 yard (0.11m)
(AC) Designer Essential Solids	Sparkle	CSFSESS.SPARKLE	1/8 yard (0.11m)
(AD) Designer Essential Solids	Stargazer	CSFSESS.STARGAZER	1/8 yard (0.11m)
(AE) Designer Essential Solids	Taffy	CSFSESS.TAFFY	1/8 yard (0.11m)
(AF) Designer Essential Solids	Tanzanite	CSFSESS.TANZANITE	1/8 yard (0.11m)
(AG) Pom Poms	Petunia	PWTP118.PETUN	1 1/4 yards (1.14m)
(AH) Tiny Stripes	Misty	PWTP186.MISTY*	5/8 yard (0.57m)

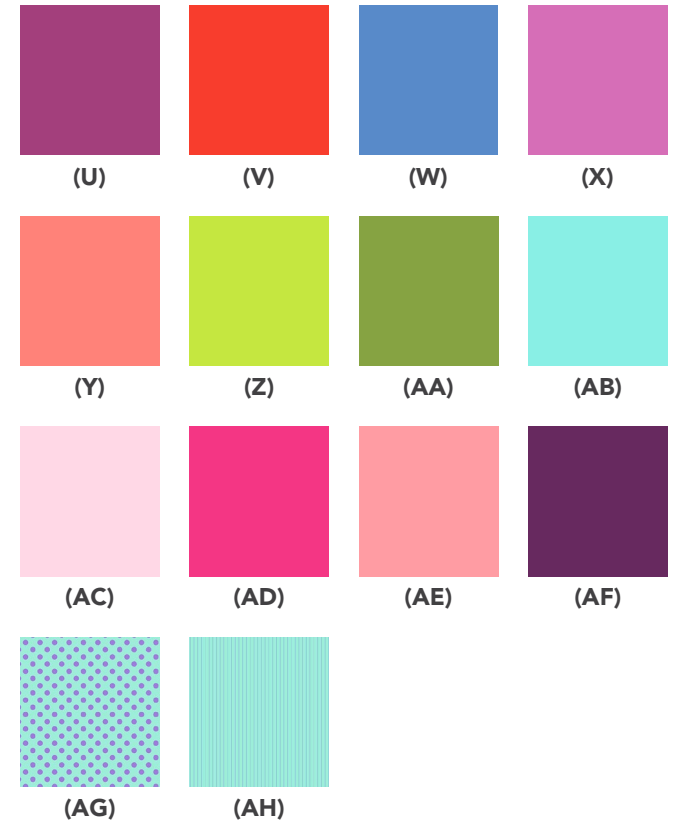
* binding

Additional Recommendations

- Tula Pink Dragon's Breath 100% cotton Aurifil Thread 50wt. in coordinating colors to match
- 68" x 83" (1.73m x 2.11m) batting
- Removable fabric marker
- Gridded rotary cutting ruler with 30° and 60° lines

Optional:

- Spray starch or starch alternative
- Template plastic or freezer paper
- Large 60° triangle ruler
- Clear plastic presser foot



Prep

Print the template patterns (pages 11-19) at 100%/actual size. Tape together as needed and trace onto template plastic or the dull side of freezer paper. Transfer all markings to your templates and cut out on the outer lines. Note that Template 1 does not have 90° corners so make sure to cut the corners as marked and not using the square corner of a rotary cutting ruler.

Cutting

WOF= width of fabric, cut from selvage to selvage

LOF= length of fabric, cut parallel to selvage

RSU= Right Side Up

RSD= Right Side Down

RST= Right Sides Together

Notes:

- *Pieces cut from templates will have bias edges – press fabrics with starch/starch alternative before cutting to stabilize bias edges. Handle cut pieces gently so as not to distort.*
- *Follow the grainline arrows and cutting diagrams to place templates on fabrics. As Template 1 is not a perfect square, use care when cutting the corners.*

If using freezer paper, you can press with a dry iron to adhere the waxy side of the freezer paper to the right side of the fabric.

Tip: Use a rotary cutting ruler on top of the template, aligning the ¼" ruler line with the dashed line on the template, to avoid shaving off any of the template when cutting. Alternately, trace the templates onto the fabric with a removable fabric marker, then cut with a rotary cutter and ruler.

Fabric A, cut:

(6) Template 1; fussy cut around the motif as shown (**Fig. 1**)

Fig. 1



Fabric B, F, and H, cut:

(2) Template 3 (fussy-cut **Fabric B**)

Fabric C, cut:

(7) 6½" x WOF for border

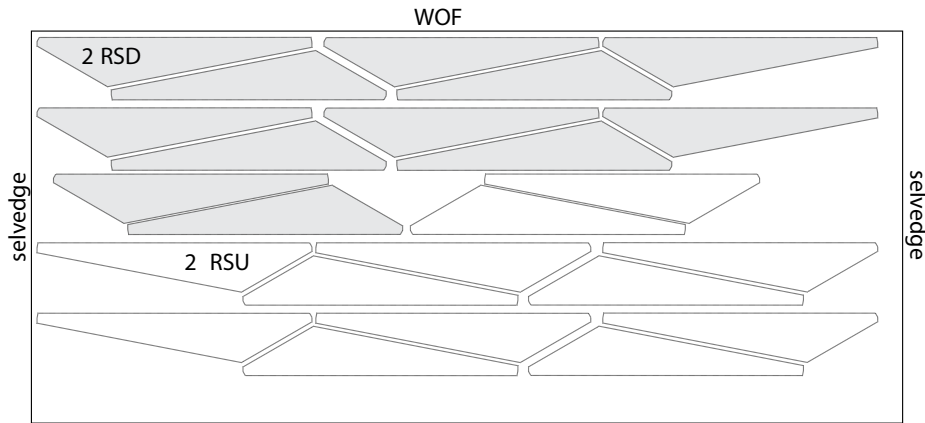
(2) Template 3; fussy cut around a motif as desired

Fabric D, cut:

(12) Template 2 RSU from a single layer of fabric

(12) Template 2 RSD from a single layer of fabric (**Fig. 2**)

Fig. 2

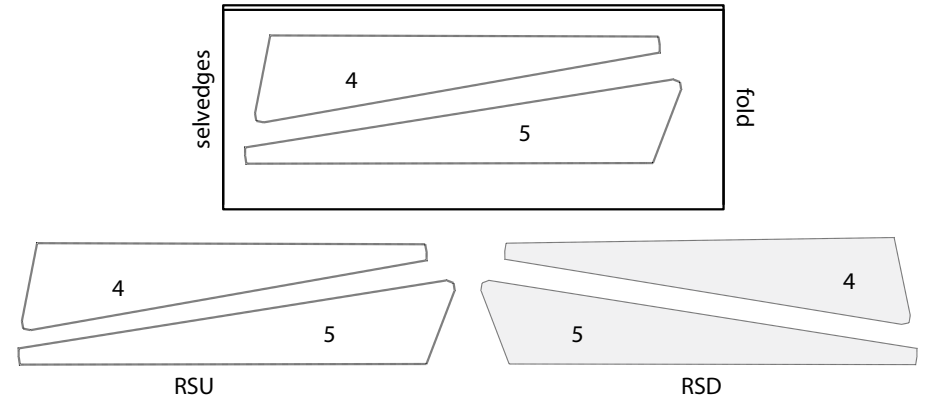


Fabrics I-Z, and AA-AF, cut:

(2) Template 4 RSU from a double layer of fabric, yields 1 RSU and 1 RSD

(2) Template 5 RSU from a double layer of fabric, yields 1 RSU and 1 RSD (**Fig. 3**)

Fig. 3



Fabric E, fussy cut:

(1) Template 3, centered on a ship design

Fabric G, cut:

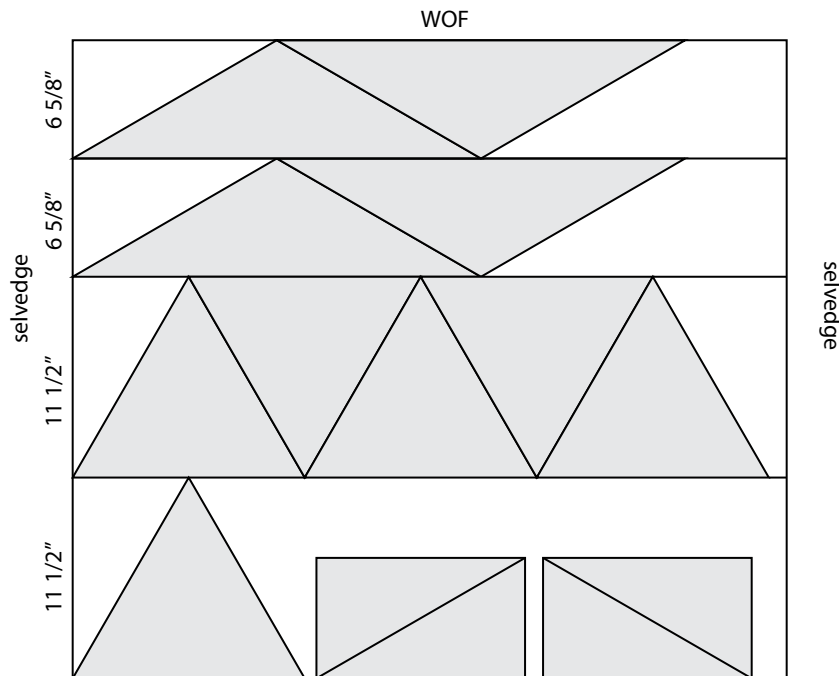
(3) Template 3

Fabric AG, cut:

- (2) $6\frac{5}{8}$ " x WOF; layer together *both* RSU. Align the 30° line on a gridded ruler with the bottom raw edge, then cut from bottom left corner to the top raw edge. Turn the ruler to mirror the cut just made, align the 30° line with the bottom raw edge, and cut from the top of the cut just made to the bottom raw edge to make a triangle as shown. Repeat, making one more rotation and cut, to yield (4) side setting triangles.
- (2) $11\frac{1}{2}$ " x WOF; using a 60° triangle ruler or the 60° line on a gridded ruler, cut (6) top/bottom setting triangles.

From the remaining strip, cut (2) $6\frac{3}{4}$ " x $11\frac{3}{4}$ " rectangles, then sub-cut on opposite diagonals, to yield (2) left and (2) right corner setting triangles

Fig. 4



Fabric AH, cut:

enough $2\frac{1}{2}$ "-wide bias strips to make $8\frac{1}{3}$ yards (7.6m) of bias binding

Instructions

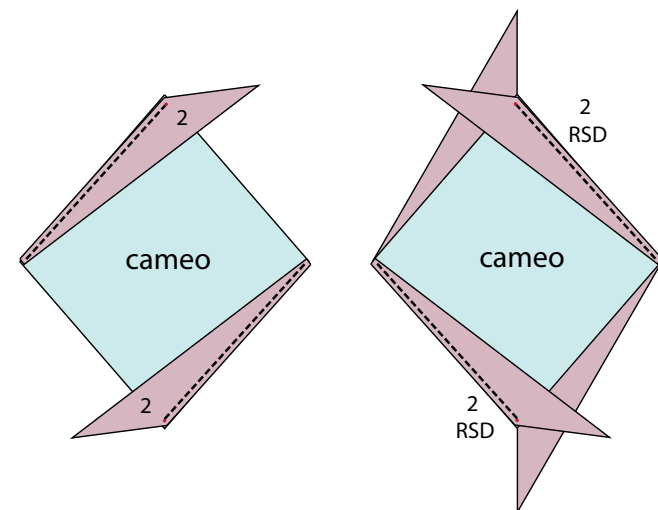
Note: All seam allowances are $\frac{1}{4}$ " and pieces are sewn right sides together. Press seam allowances open unless otherwise stated.

On the wrong side of the fabric, using a removable marking pen, mark the intersection of the seam allowances in the corner of each template piece. Using a clear sewing machine presser foot, if you have one, can make it easier to stop and start at the marks, but make sure changing presser feet does not affect the accuracy of your $\frac{1}{4}$ " seam allowance.

Cameo Diamond Blocks

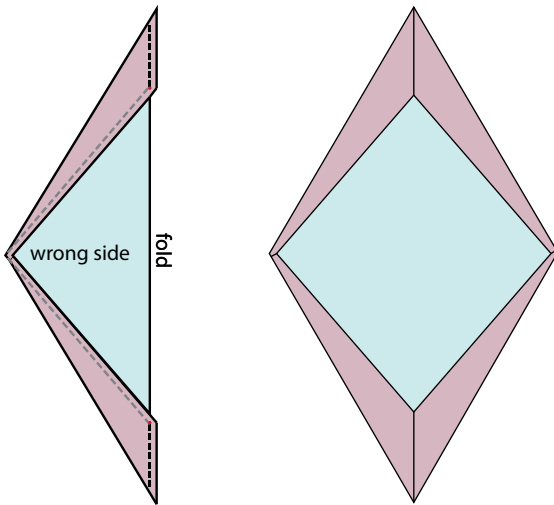
1. Pin a **Fabric D** Template 2 RSU piece to the top left-hand side of a **Fabric A** Template 1 piece at the marked seam allowances, making sure the cameo motif is oriented correctly. Starting at the narrow end of the Template 2 piece, sew to the dot and lockstitch or backstitch, but make sure not to sew past the dot. Repeat to sew a matching piece to the bottom right-hand side. Press towards **Fabric A**. Repeat to add **Fabric D** Template 2 RSD pieces to the top right and bottom left sides of the unit.

Fig. 5



2. Fold the unit in half RST as shown, aligning the raw edges of the short sides of the Template 2 pieces, making sure no **Fabric A** will be caught in the raw edges. Pin at the marked seam allowance intersections on both sides of Template 2. Sew from each dot to the outer edges, making sure to lockstitch or backstitch at the starting point. Press open.

Fig. 6



Cameo Diamond Block
Make 6

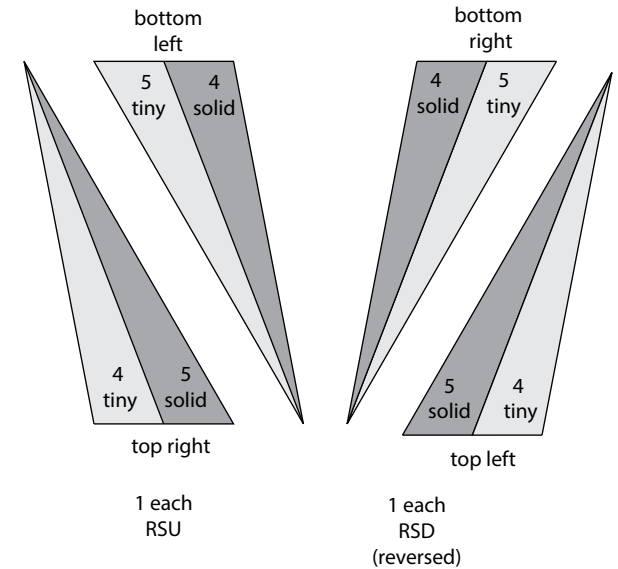
3. Repeat steps 1 and 2 to make a total of (6) Cameo Diamond blocks.

Jewel Diamond Blocks

4. Referring to the Jewel Diamond Block table and **Figure 7**, sew a Template 4 to a Template 5, grouping fabrics as listed in the table, to make (2) RSU (1 top right and 1 bottom left) and (2) RSD (1 bottom right and 1 top left) units for each fabric group. Press open or towards Template 5. You may want to complete one block before sewing all the RSU/RSD units to determine your preferred pressing direction.

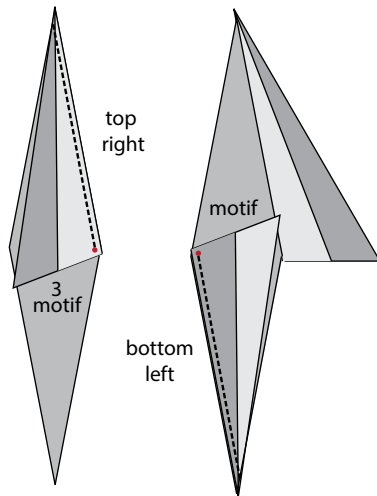
Jewel Diamond Blocks		
Solid	Tiny Dot/ Stripe	Déjà Vu (Template 3)
Fabric AE	Fabric I	Fabric B
Fabric AD	Fabric R	Fabric B
Fabric U	Fabric O	Fabric C
Fabric W	Fabric M	Fabric C
Fabric V	Fabric N	Fabric E
Fabric AF	Fabric K	Fabric F
Fabric AA	Fabric J	Fabric F
Fabric AC	Fabric S	Fabric G
Fabric Y	Fabric T	Fabric G
Fabric X	Fabric P	Fabric G
Fabric Z	Fabric Q	Fabric H
Fabric AB	Fabric L	Fabric H

Fig. 7



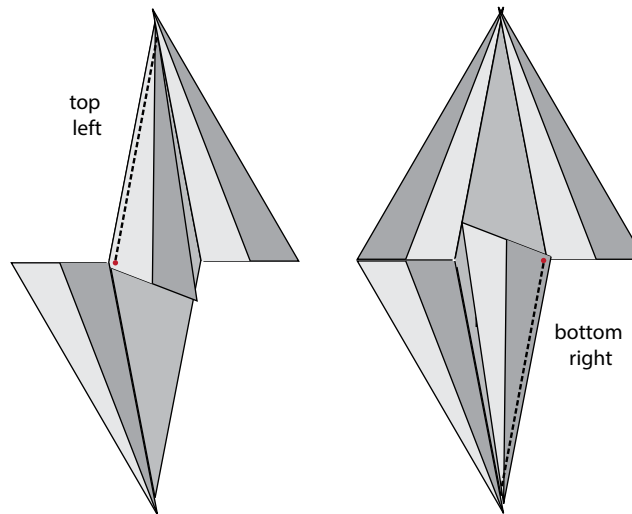
5. Gather two matching RSU (top right and bottom left) units with the corresponding Template 3 piece, per the Jewel Diamond Blocks table on page 7. Pin the top right unit to the upper right side of Template 3 RST at the marked seam allowances. With the Template 3 piece on the bottom, sew from the narrow point to the dot, then lock stitch or backstitch, but do NOT sew beyond the dot. Repeat to add the bottom left RSU unit. Press towards the RSU Units.

Fig. 8



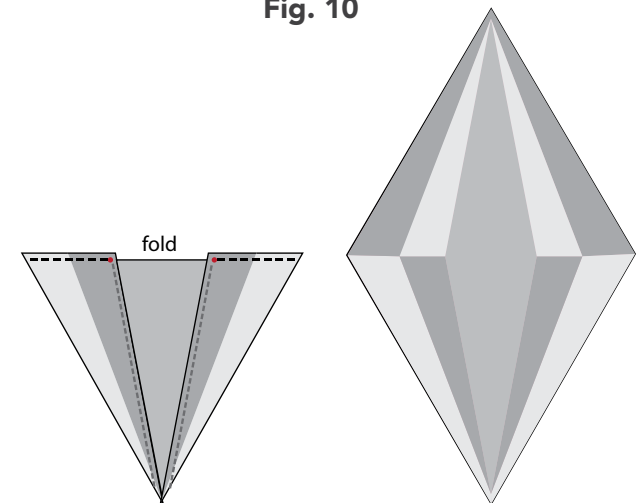
6. Repeat step 5 to add the matching top left and bottom right RSD units to the unit.

Fig. 9



7. Fold the unit in half RST as shown in Fig. 10, aligning the raw edges at the short ends of the RSU and RSD units. Match the seam intersections and make sure the body of the center diamond is not caught in the raw edges. Pin at the marked seam allowances and start sewing from the dot, lockstitch or backstitching at the dot but not into the seam allowance, and then sew to the outer end of the unit. Repeat on the opposite side. Press the seam allowances open.

Fig. 10



Jewel Diamond Block
Make 12

8. Repeat steps 5-7 for each fabric grouping to make a total of (12) Jewel Diamond Blocks (these blocks will be same height but slightly narrower than the finished Cameo Diamond blocks. Careful pinning of bias edges will help when assembling the quilt top).

Quilt Top Assembly

Follow the **Quilt Layout** diagram (page 10) while assembling the quilt. Measure the Quilt Center width and height before cutting and adding borders and adjust border measurements if necessary to match your measurements.

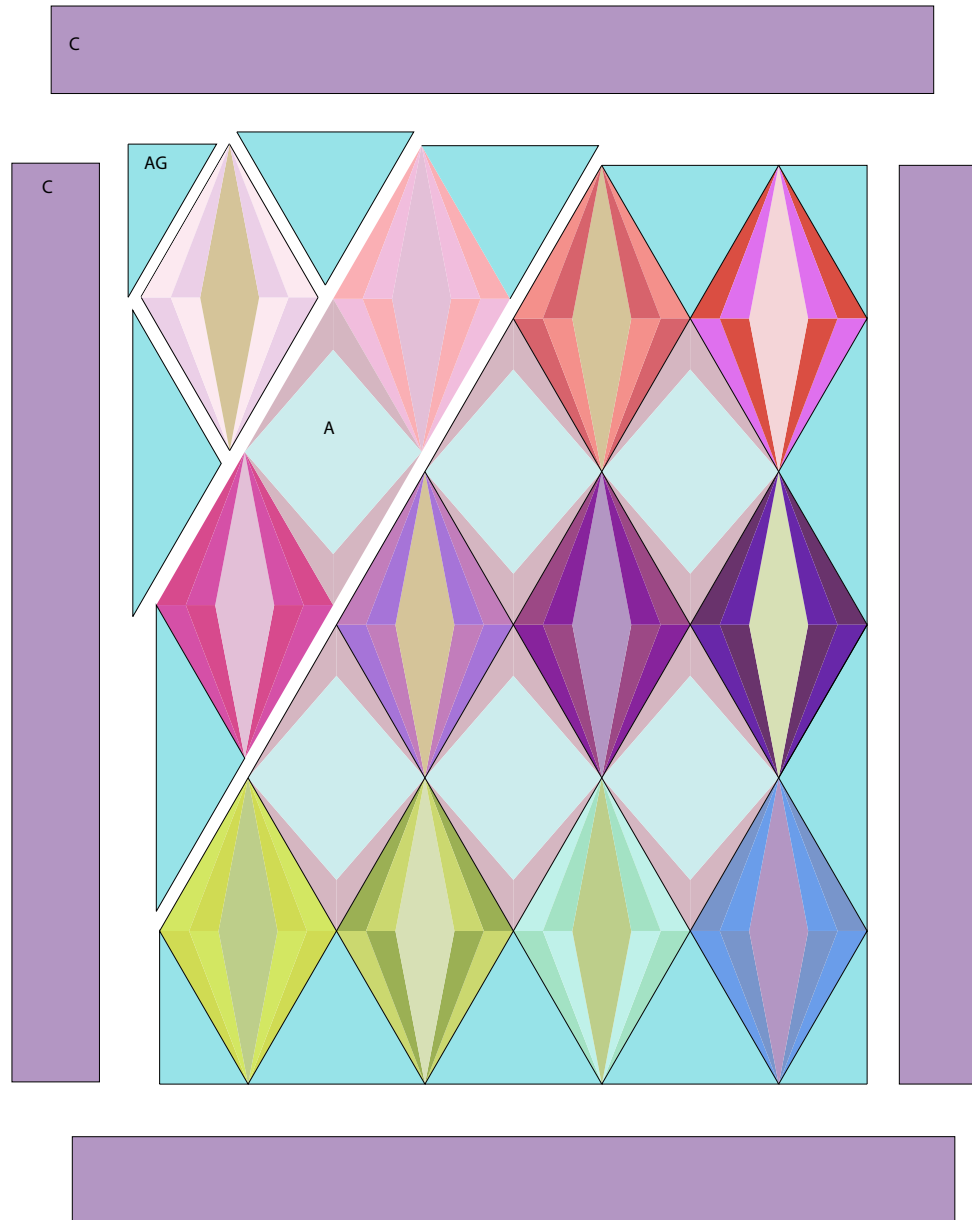
9. Arrange the Jewel Diamond and Cameo Diamond Blocks and **Fabric AG** triangles together into diagonal rows, handling the Jewel Diamond blocks with care so as not to stretch the bias edges.
10. Pinning at the $\frac{1}{4}$ " marks, sew the triangles and diamond blocks into rows making sure to place the bias edges of the Jewel Diamond blocks towards the feed dogs when sewing them to the Cameo Diamond Blocks. Press the seams in each row in one direction, and alternate pressing direction from row to row so seams will nest.
11. Pinning at the intersections to match the seams, sew the diagonal rows together, easing as needed between each intersection, to complete the quilt top center. Press.
12. Sew the **Fabric C** border strips together end-to-end. Cut (2) side border strips $63\frac{1}{2}$ " and (2) top/bottom borders strips $60\frac{1}{2}$ " long (or the measurements of your quilt top center).

13. Pinning at ends and center, sew the side borders to the quilt center, and press towards the border. Repeat to add the top/bottom borders to complete the quilt top.

Finishing

14. Sew together the $2\frac{1}{2}$ " **Fabric AH** binding strips end-to-end. Press seams open. Press the binding strip in half wrong sides together.
15. Layer backing (wrong side up), batting, and quilt top (right side up). Baste the layers together and quilt as desired. Trim excess batting and backing even with the top after quilting is completed.
16. Leaving an 8" tail of binding, sew the binding to the top of the quilt through all layers matching all raw edges. Miter corners. Stop approximately 12" from where you started. Lay both loose ends of binding flat along quilt edge. Where the loose ends meet, fold them back on themselves and press to form a crease. Using this crease as your stitching line, sew the two open ends of the binding right sides together. Trim seam to $\frac{1}{4}$ " and press open. Finish sewing binding to quilt.
17. Turn the binding to the back of quilt and hand-stitch in place.

Quilt Layout



Template 1 - piece 1 of 2

This square should
measure 1" x 1"
(2.54cm x 2.54cm)
when printed.

***** Measure templates before cutting to confirm printing at 100%*****

Length of fabric

15

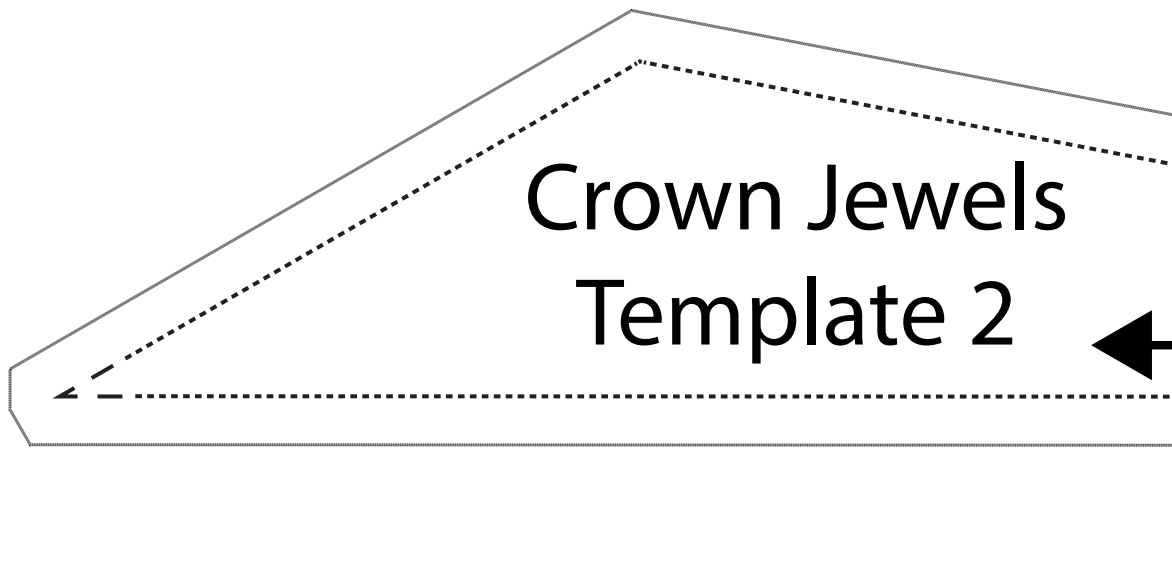
Template 1 - piece 2 of 2

Crown Jewels
Template 1

This square should
measure 1" x 1"
(2.54cm x 2.54cm)
when printed.

***** Measure templates before cutting to confirm printing at 100%*****

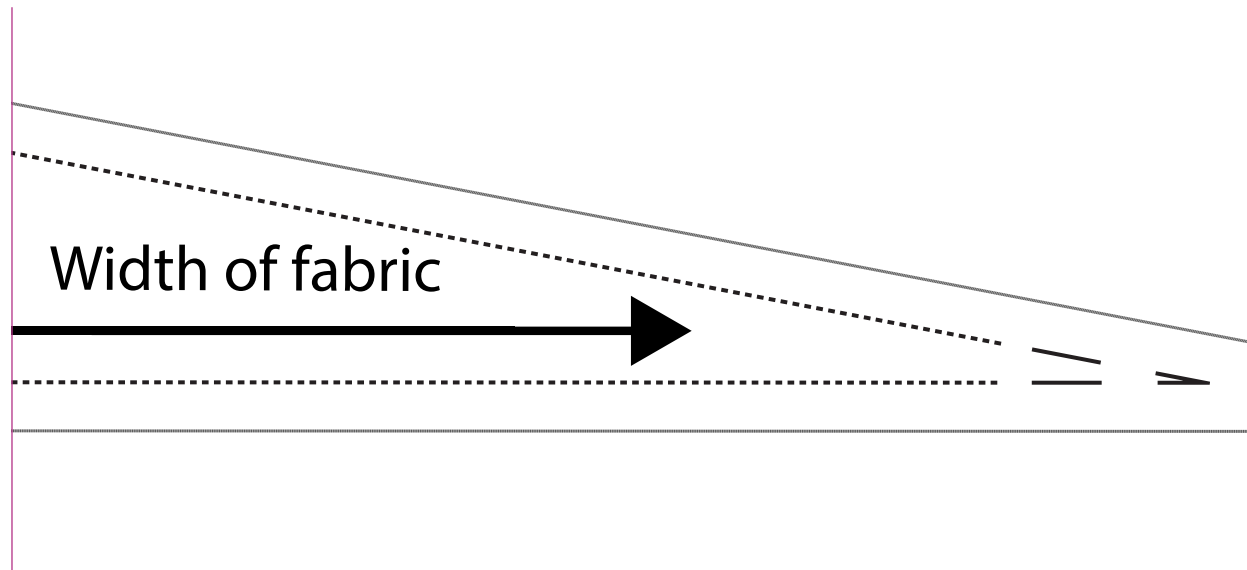
Template 2 - piece 1 of 2



This square should
measure 1" x 1"
(2.54cm x 2.54cm)
when printed.

***** Measure templates before cutting to confirm printing at 100%*****

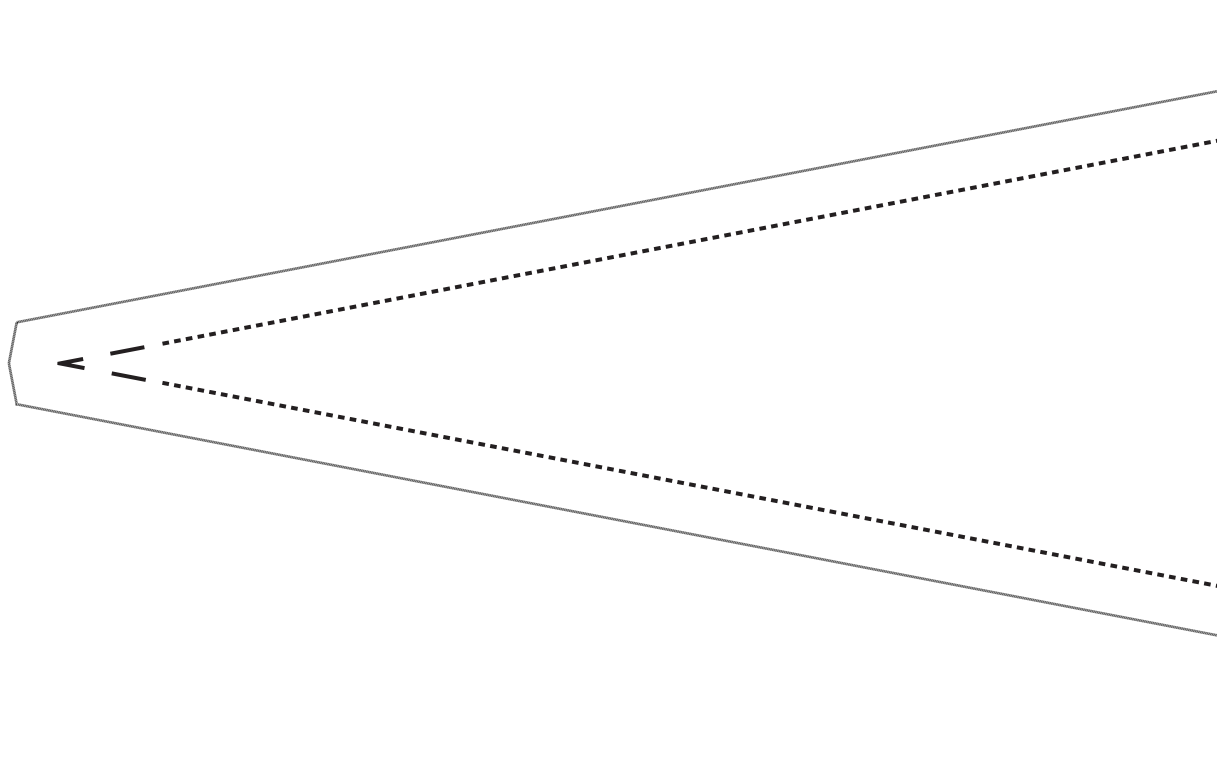
Template 2 - piece 2 of 2



This square should
measure 1" x 1"
(2.54cm x 2.54cm)
when printed.

***** Measure templates before cutting to confirm printing at 100%*****

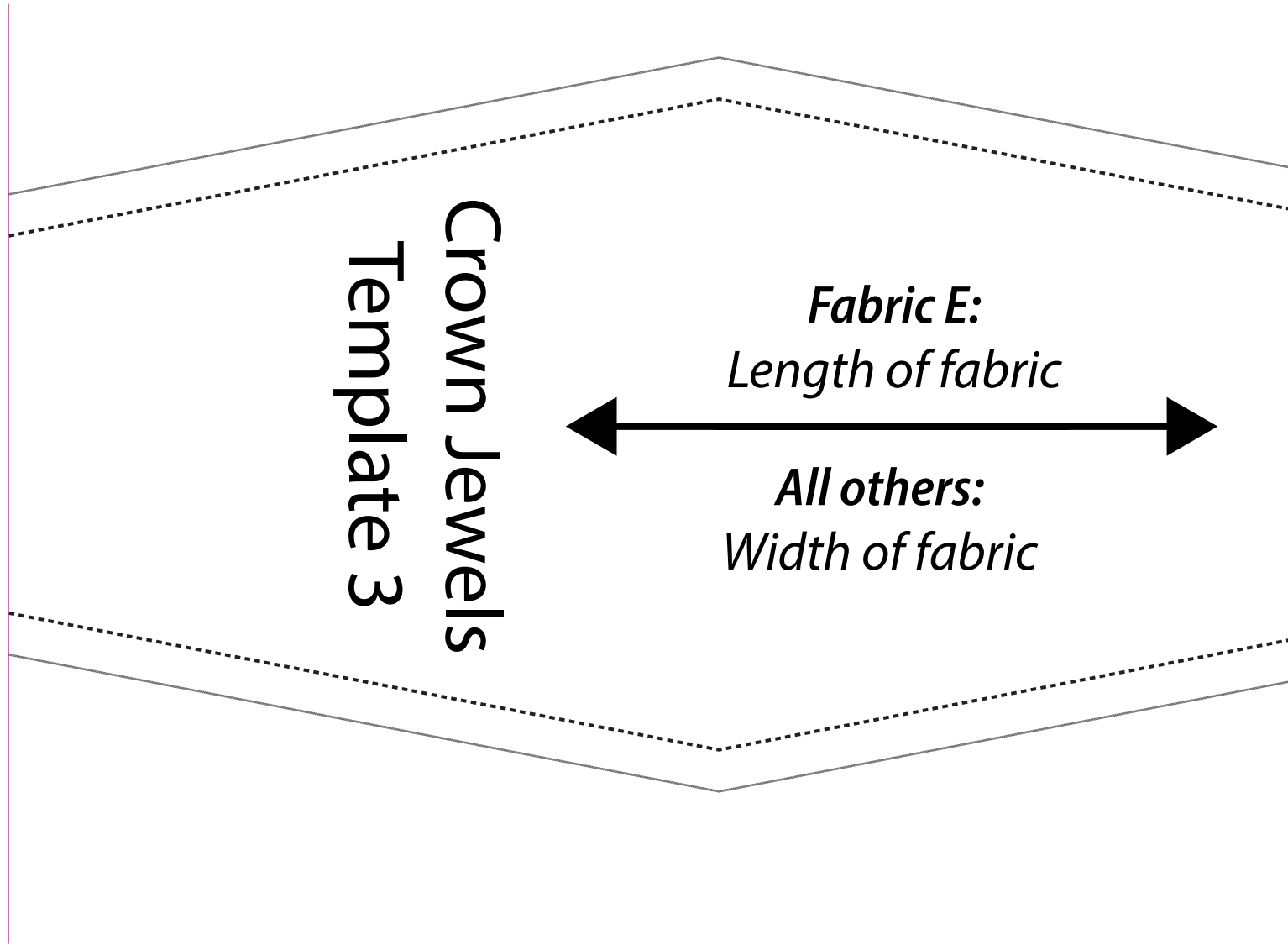
Template 3 - piece 1 of 3



This square should
measure 1" x 1"
(2.54cm x 2.54cm)
when printed.

***** Measure templates before cutting to confirm printing at 100%*****

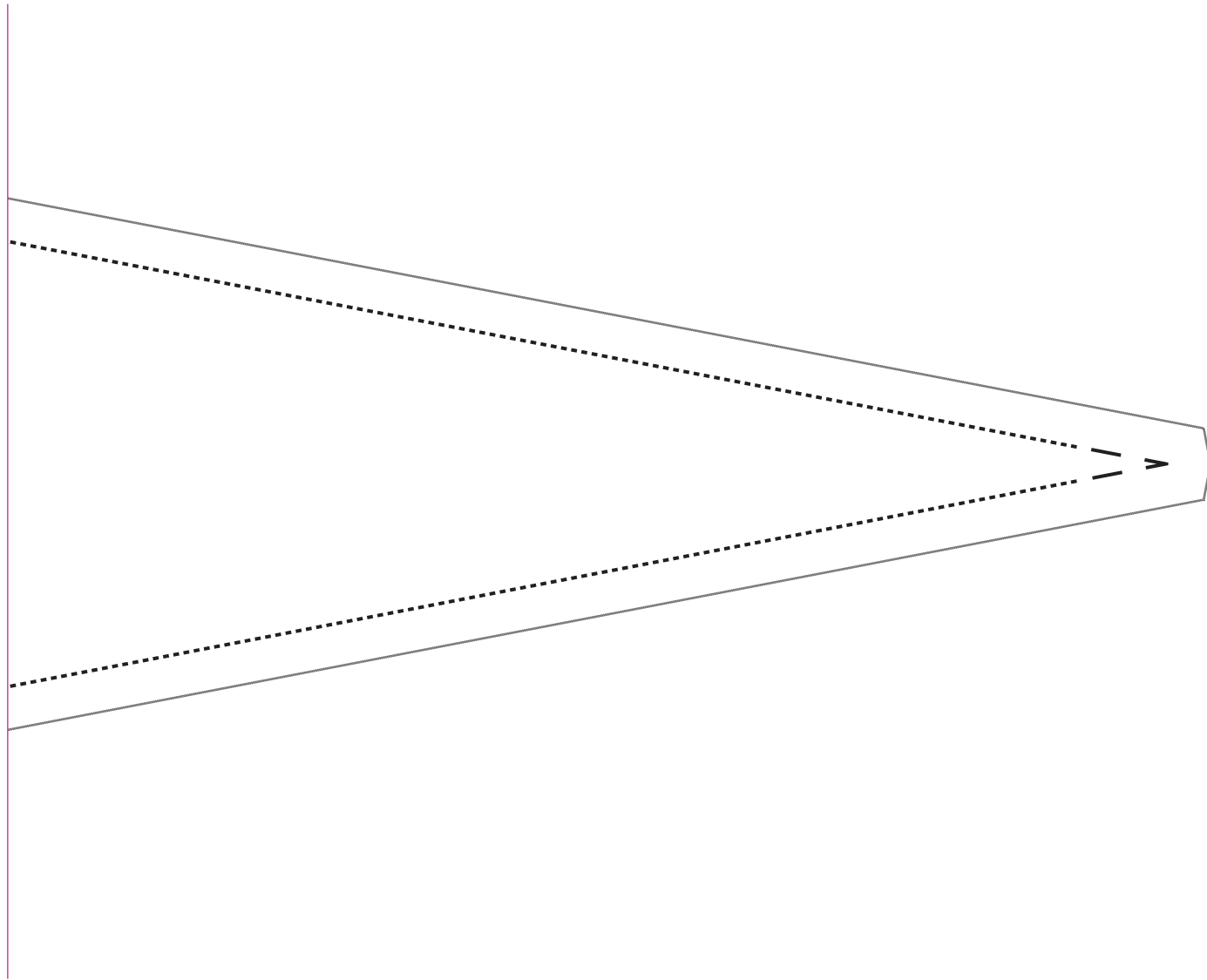
Template 3 - piece 2 of 3



This square should measure 1" x 1" (2.54cm x 2.54cm) when printed.

***** Measure templates before cutting to confirm printing at 100%*****

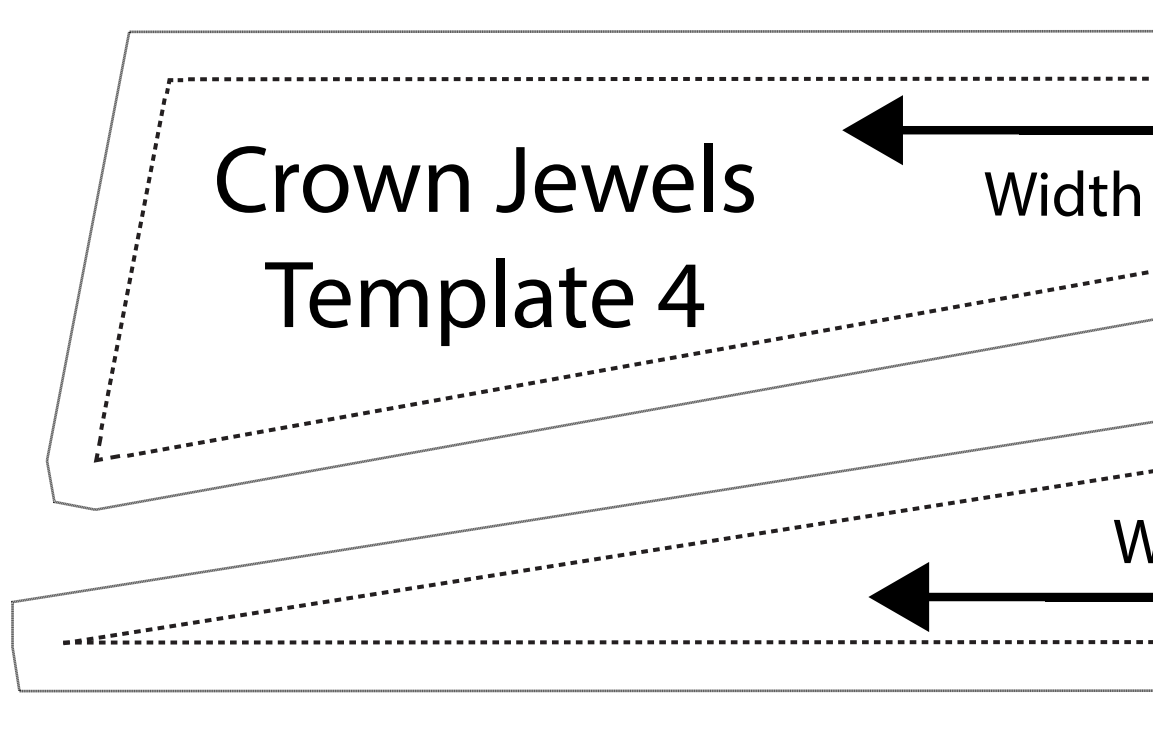
Template 3 - piece 3 of 3



This square should measure 1" x 1" (2.54cm x 2.54cm) when printed.

***** Measure templates before cutting to confirm printing at 100%*****

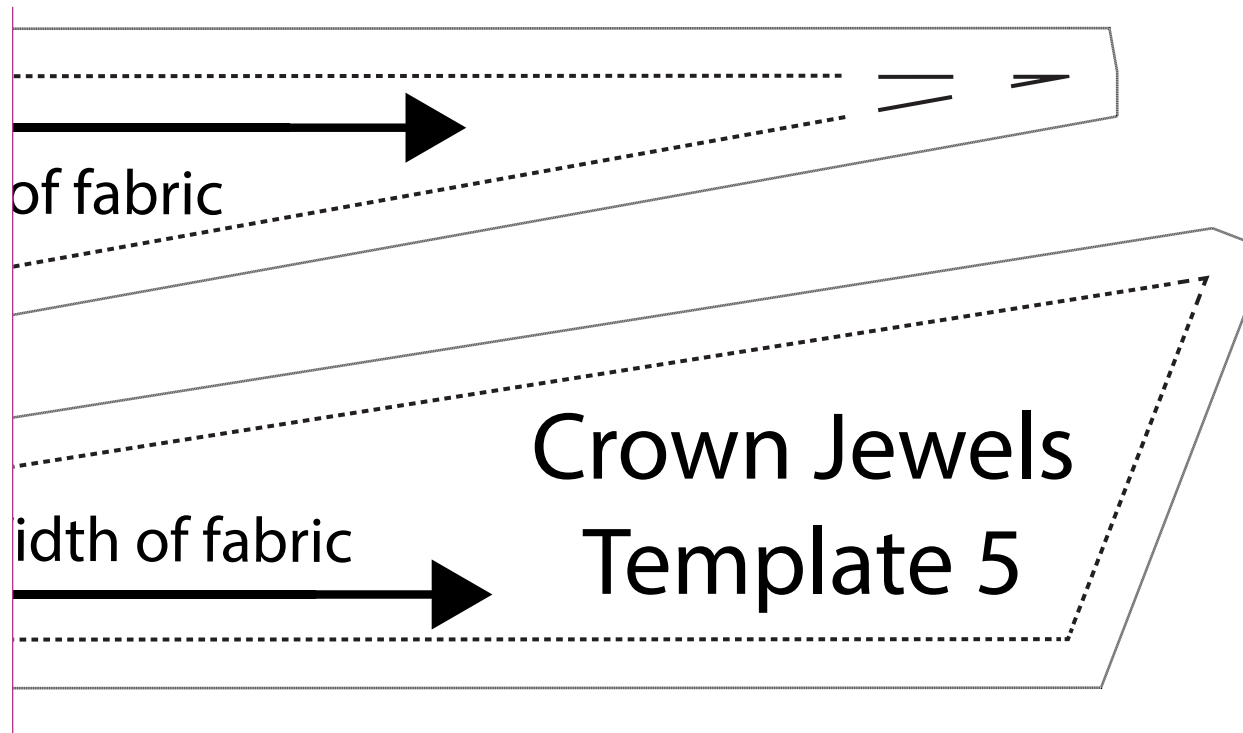
Templates 4 & 5 - piece 1 of 2



This square should measure 1" x 1" (2.54cm x 2.54cm) when printed.

***** Measure templates before cutting to confirm printing at 100%*****

Templates 4 & 5 - piece 2 of 2



This square should
measure 1" x 1"
(2.54cm x 2.54cm)
when printed.

***** Measure templates before cutting to confirm printing at 100%*****