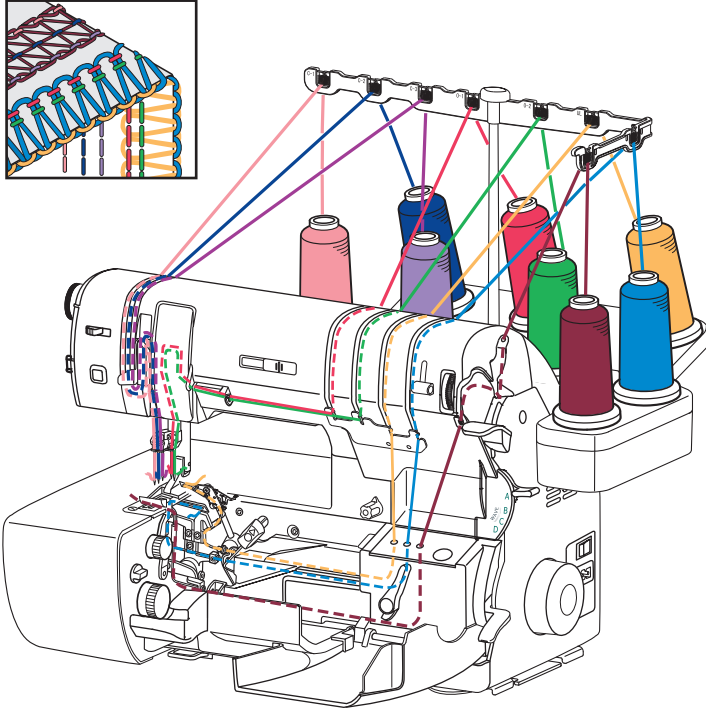


## COMBINATION

### 8-Thread

Triple Cover + 4-Thread Overlock

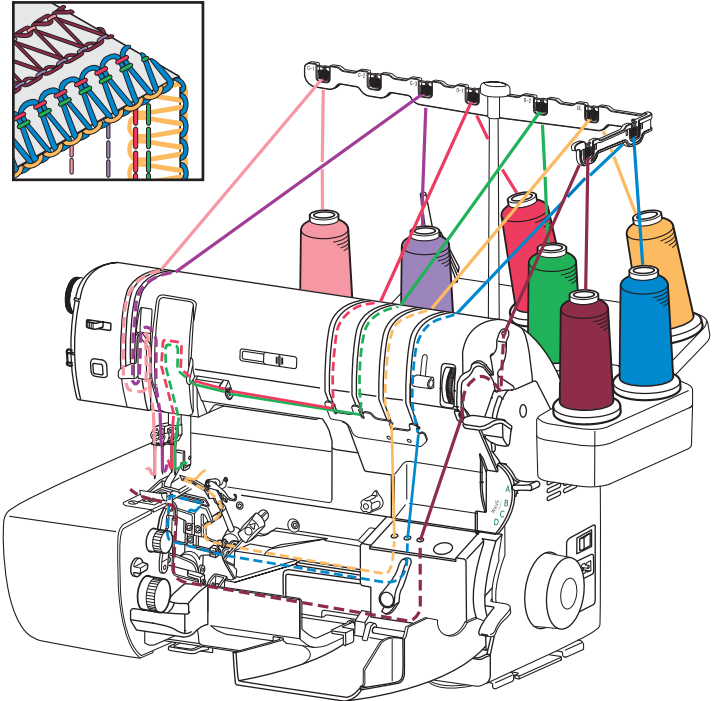
C1	C2	C3	O1	O2	Length	Width	Stitch Selector	Wave Selector	Chain Needle Tension	Chain Looper Tension
					2.5-4.0	7.5	A	OVERLOCK	4-6	0-1
Upper Looper Selector down		Blade Position up		Knife Cover		Subsidiary Looper				



### 7-Thread

Cover Stitch Wide + 4-Thread Overlock

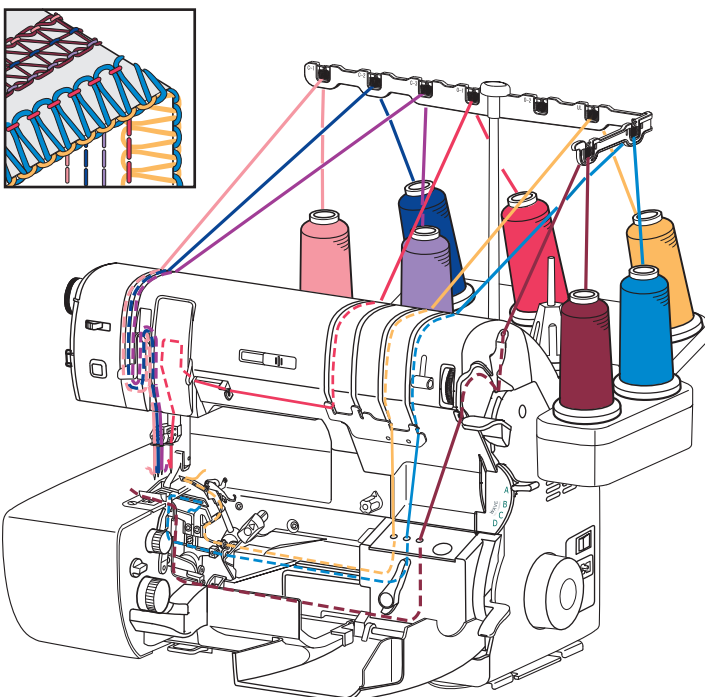
C1	C2	C3	O1	O2	Length	Width	Stitch Selector	Wave Selector	Chain Needle Tension	Chain Looper Tension
					2.5-4.0	7.5	A	OVERLOCK	4-6	0-1
Upper Looper Selector down		Blade Position up		Knife Cover		Subsidiary Looper				



### 7-Thread

Triple Cover + 3-Thread Overlock Wide

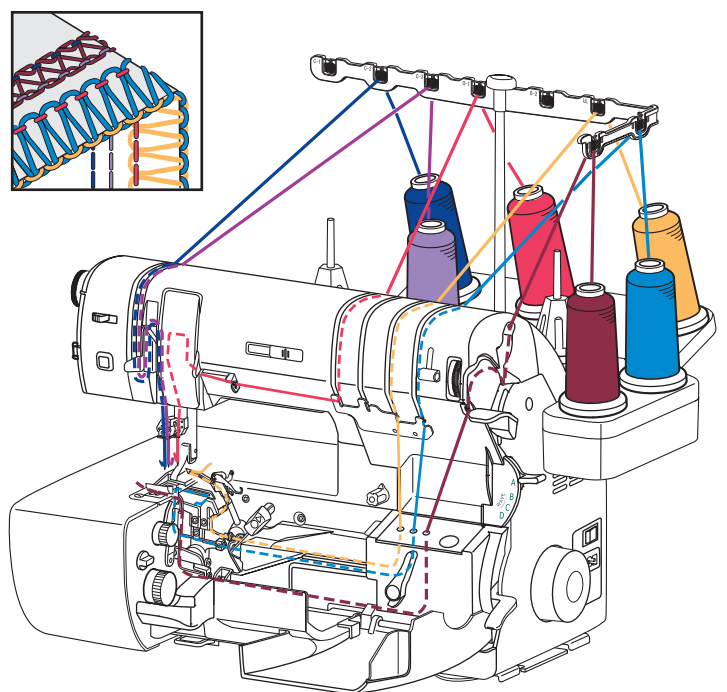
C1	C2	C3	O1	O2	Length	Width	Stitch Selector	Wave Selector	Chain Needle Tension	Chain Looper Tension
					2.5-4.0	7.5	A	OVERLOCK	4-6	0-1
Upper Looper Selector down		Blade Position up		Knife Cover		Subsidiary Looper				



### 6-Thread

Cover Narrow Right + 3-Thread Overlock Wide

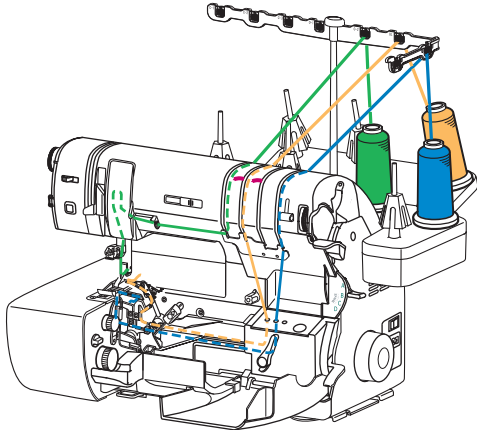
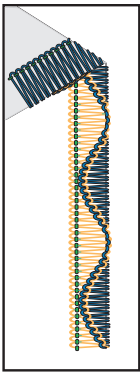
C1	C2	C3	O1	O2	Length	Width	Stitch Selector	Wave Selector	Chain Needle Tension	Chain Looper Tension
					2.5-4.0	7.5	A	OVERLOCK	4-6	1-2
Upper Looper Selector down		Blade Position up		Knife Cover		Subsidiary Looper				



## OVERLOCK

### 3-Thread Wave Stitch

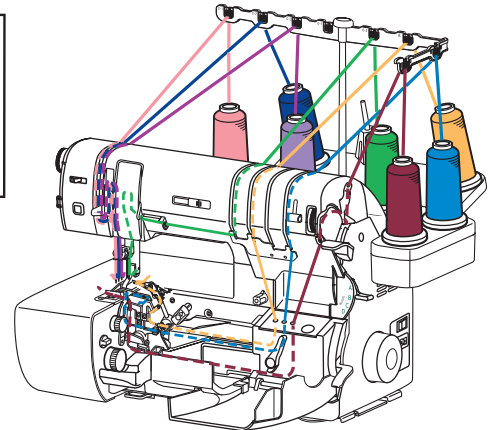
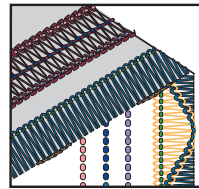
C1	C2	C3	O1	O2	Length	Width	Stitch Selector	Wave Selector	Chain Needle Tension	Chain Looper Tension
					0.75-2.5	5.0	B	WAVE	—	—
Upper Looper Selector down		Blade Position up		Knife Cover		Subsidiary Looper				



## COMBINATION

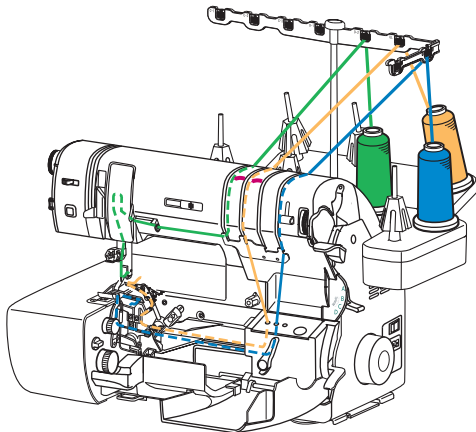
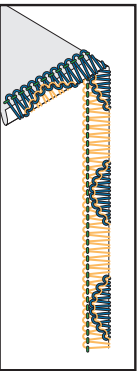
### 7-Thread Triple Cover + 3-Thread Wave Stitch

C1	C2	C3	O1	O2	Length	Width	Stitch Selector	Wave Selector	Chain Needle Tension	Chain Looper Tension
					1.5-2.5	5.0	B	WAVE	4-6	0-1
Upper Looper Selector down		Blade Position up		Knife Cover		Subsidiary Looper				



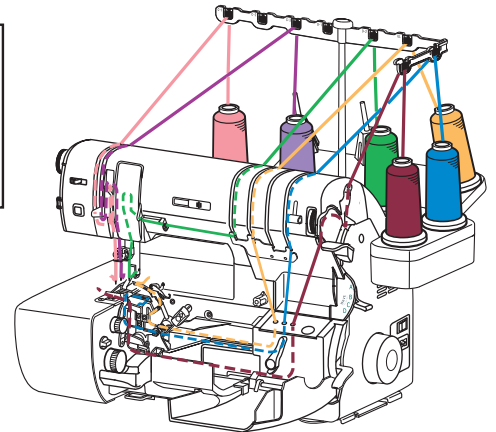
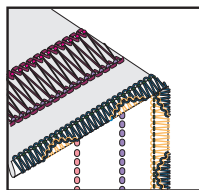
### 3-Thread Rolled Wave Stitch

C1	C2	C3	O1	O2	Length	Width	Stitch Selector	Wave Selector	Chain Needle Tension	Chain Looper Tension
					0.75-1.5R	3.0-5.0	C	WAVE	—	—
Upper Looper Selector down		Blade Position up		Knife Cover		Subsidiary Looper				



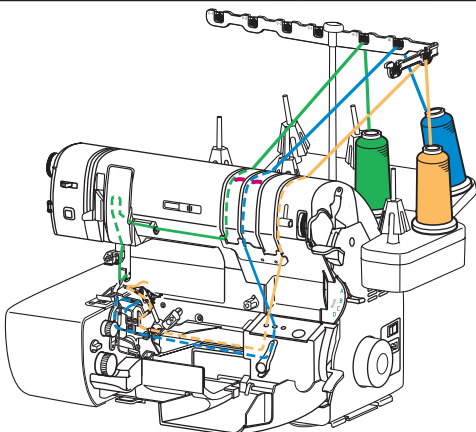
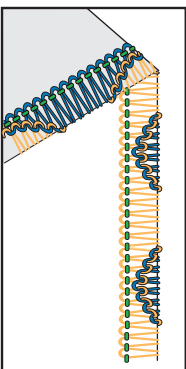
### 6-Thread Cover Stitch Wide + 3-Thread Rolled Wave

C1	C2	C3	O1	O2	Length	Width	Stitch Selector	Wave Selector	Chain Needle Tension	Chain Looper Tension
					1.5-2.0R	3.5	C	WAVE	4-6	0-1
Upper Looper Selector down		Blade Position up		Knife Cover		Subsidiary Looper				



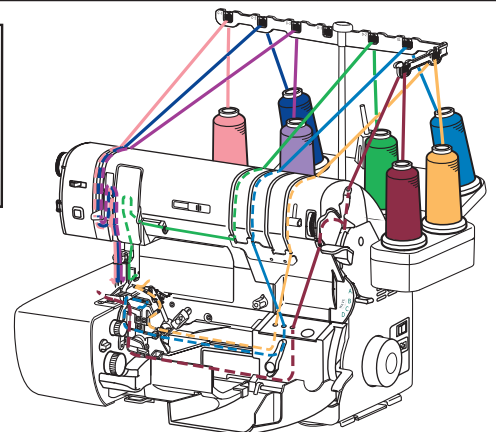
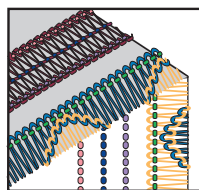
### 3-Thread Reversed Wave

C1	C2	C3	O1	O2	Length	Width	Stitch Selector	Wave Selector	Chain Needle Tension	Chain Looper Tension
					0.75-2.5	5.0	B	WAVE	—	—
Upper Looper Selector down		Blade Position up		Knife Cover		Subsidiary Looper				



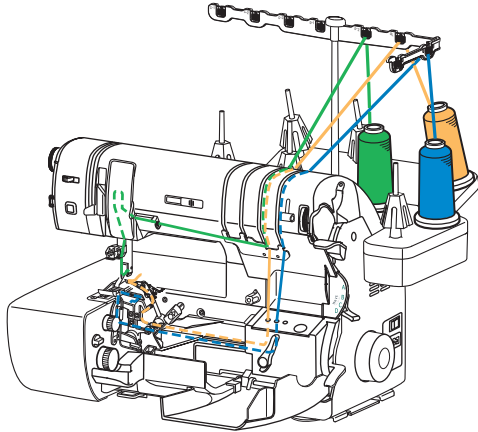
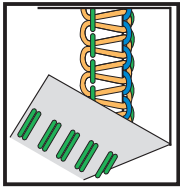
### 7-Thread Triple Cover + 3-Thread Reversed Wave

C1	C2	C3	O1	O2	Length	Width	Stitch Selector	Wave Selector	Chain Needle Tension	Chain Looper Tension
					1.5-2.5	5.0	B	WAVE	4-6	0-1
Upper Looper Selector down		Blade Position up		Knife Cover		Subsidiary Looper				



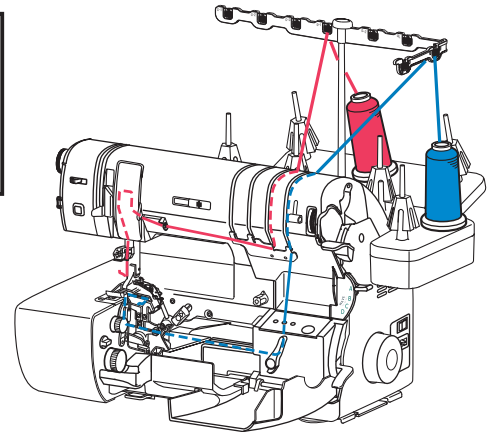
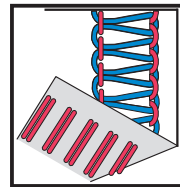
### 3-Thread Flatlock-Narrow

C1	C2	C3	O1	O2	Length	Width	Stitch Selector	Wave Selector	Chain Needle Tension	Chain Looper Tension	
					2-4	3.0-3.5	D	OVERLOCK	—	—	
Upper Looper Selector down			Blade Position LOCK			Knife Cover		Subsidiary Looper			



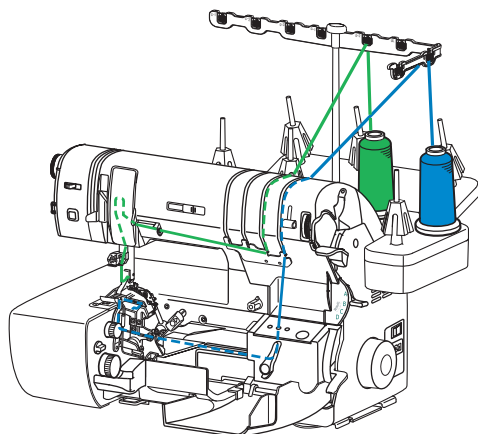
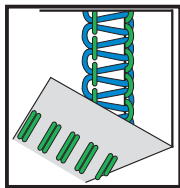
### 2-Thread Flatlock-Wide

C1	C2	C3	O1	O2	Length	Width	Stitch Selector	Wave Selector	Chain Needle Tension	Chain Looper Tension	
					2-4	7.5	A	OVERLOCK	—	—	
Upper Looper Selector down			Blade Position LOCK			Knife Cover		Subsidiary Looper			



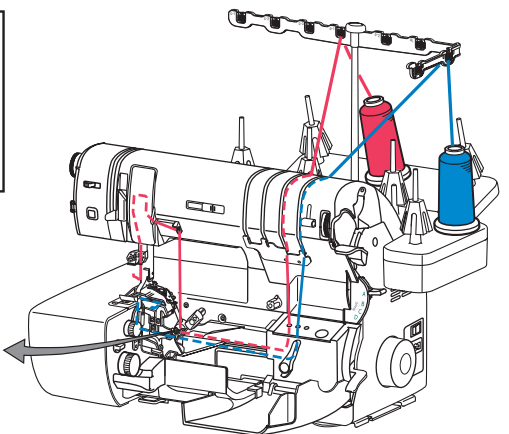
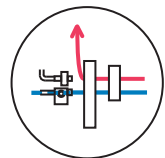
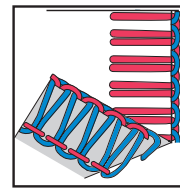
### 2-Thread Flatlock-Narrow

C1	C2	C3	O1	O2	Length	Width	Stitch Selector	Wave Selector	Chain Needle Tension	Chain Looper Tension	
					2-4	3.5	B	OVERLOCK	—	—	
Upper Looper Selector down			Blade Position up			Knife Cover		Subsidiary Looper			



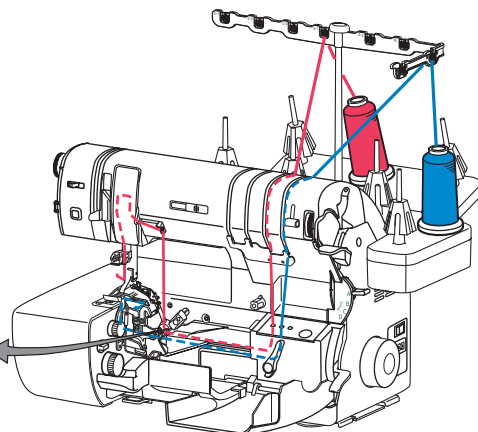
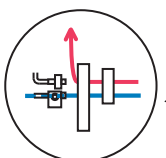
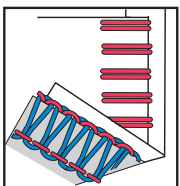
### 2-Thread Blanket Stitch

Size 90 Top Stitch Needle	C1	C2	C3	O1	O2	Length	Width	Stitch Selector	Wave Selector	Chain Needle Tension	Chain Looper Tension
						3-4	7.5	A	OVERLOCK	—	—
Upper Looper Selector down			Blade Position up			Knife Cover		Subsidiary Looper			



### 2-Thread Ladder Stitch

Size 90 Top Stitch Needle	C1	C2	C3	O1	O2	Length	Width	Stitch Selector	Wave Selector	Chain Needle Tension	Chain Looper Tension
						3-4	7.5	A	OVERLOCK	—	—
Upper Looper Selector down			Blade Position up			Knife Cover		Subsidiary Looper			

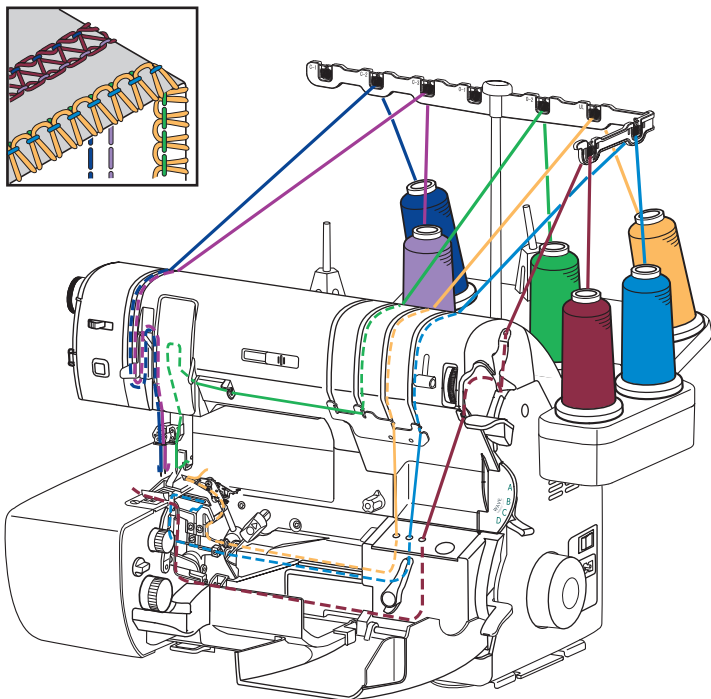


## COMBINATION

### 6-Thread

Cover Narrow Right + 3-Thread Rolled Edge

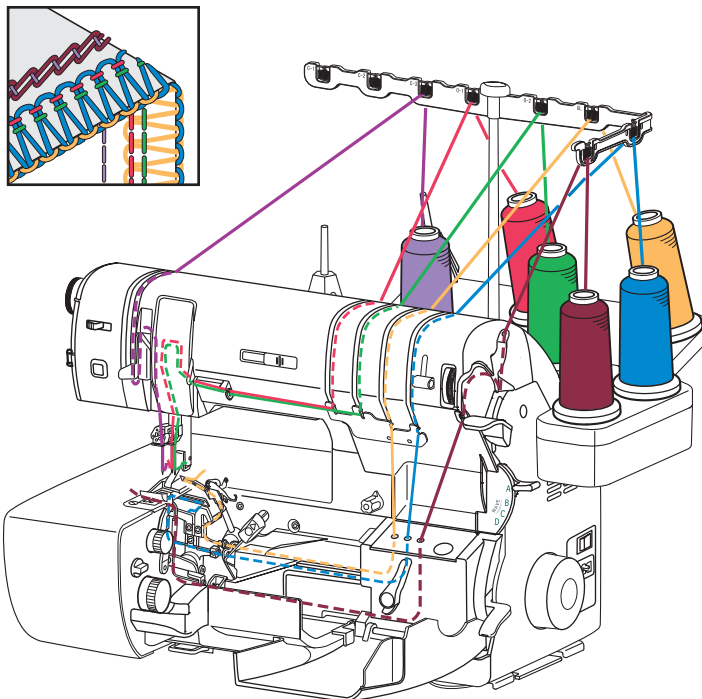
C1	C2	C3	O1	O2	Length	Width	Stitch Selector	Wave Selector	Chain Needle Tension	Chain Looper Tension
					2R	3.5	D	OVERLOCK	4-6	1-2
Upper Looper Selector down		up		Blade Position up		Knife Cover		Subsidiary Looper		



### 6-Thread

Chain Stitch + 4-Thread Overlock

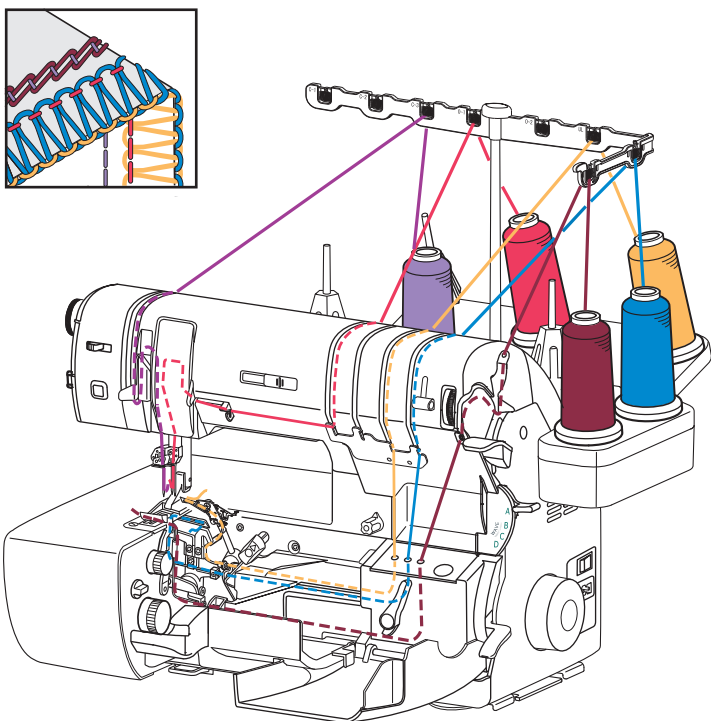
C1	C2	C3	O1	O2	Length	Width	Stitch Selector	Wave Selector	Chain Needle Tension	Chain Looper Tension
					2.5-4.0	7.5	A	OVERLOCK	4-6	2-3
Upper Looper Selector down		up		Blade Position up		Knife Cover		Subsidiary Looper		



### 5-Thread Safety Stitch

Chain Stitch + 3-Thread Overlock Wide

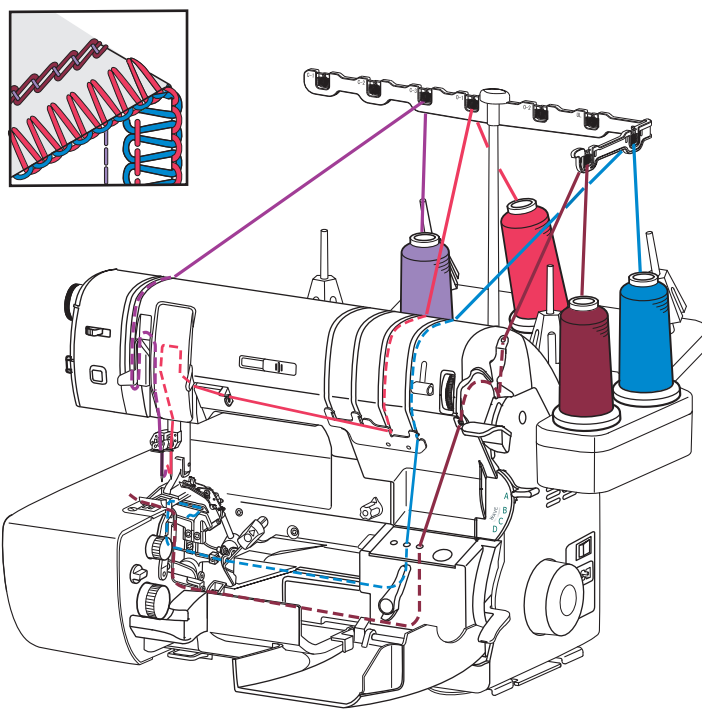
C1	C2	C3	O1	O2	Length	Width	Stitch Selector	Wave Selector	Chain Needle Tension	Chain Looper Tension
					2.5-4.0	7.5	A	OVERLOCK	4-6	2-3
Upper Looper Selector down		up		Blade Position up		Knife Cover		Subsidiary Looper		



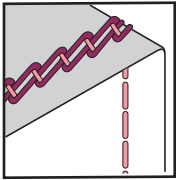
### 4-Thread Safety Stitch

Chain Stitch + 2-Thread Overlock Wide

C1	C2	C3	O1	O2	Length	Width	Stitch Selector	Wave Selector	Chain Needle Tension	Chain Looper Tension
					2.5-4.0	7.5	A	OVERLOCK	4-6	2-3
Upper Looper Selector down		up		Blade Position up		Knife Cover		Subsidiary Looper		

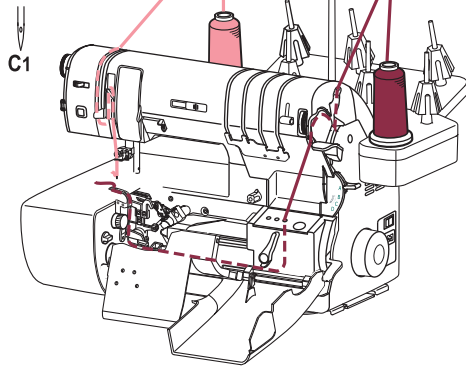


### Chain Stitch-Left / Center / Right Needle

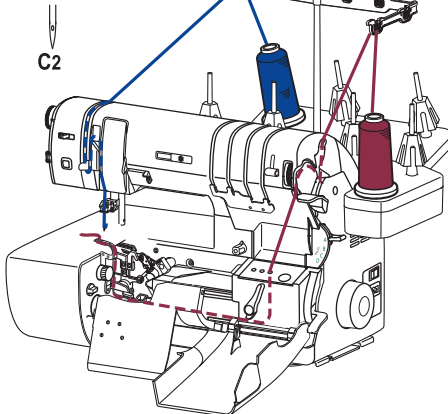


Length	Width	Stitch Selector	Wave Selector	Chain Needle Tension	Chain Looper Tension	Upper Looper Selector	Blade Position	Sewing Table	Subsidiary Looper
2.0-4.0	—	—	—	4-6	3-5 (C1) 2-3 (C2, C3)	<b>down</b> up	LOCK		—

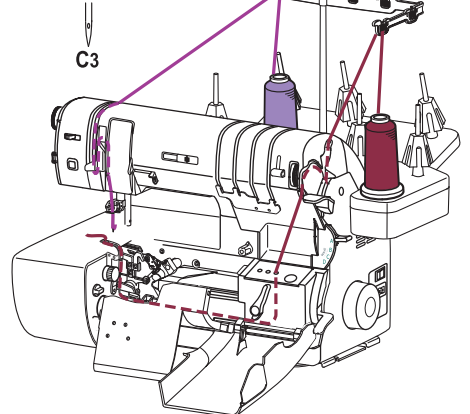
#### Left Needle



#### Center Needle

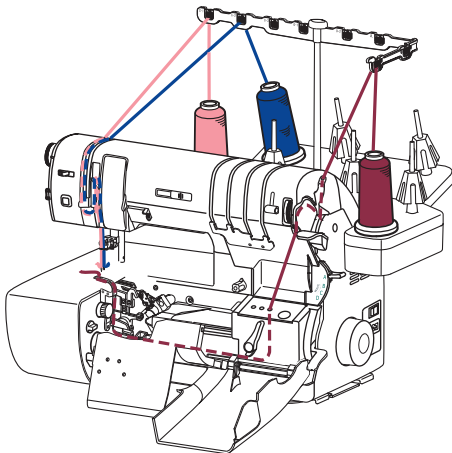
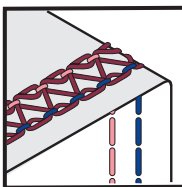


#### Right Needle



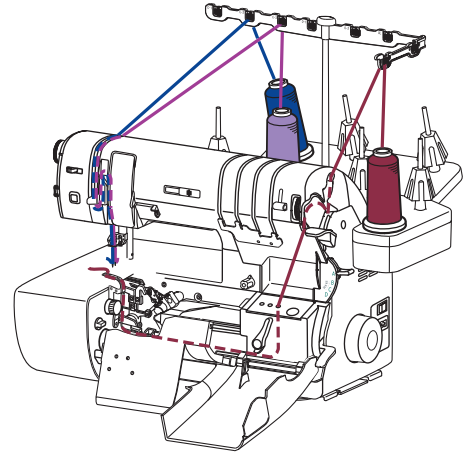
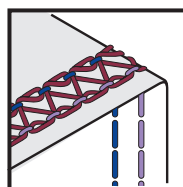
### Cover Stitch-Left Narrow

C1	C2	C3	O1	O2	Length	Width	Stitch Selector	Wave Selector	Chain Needle Tension	Chain Looper Tension	Upper Looper Selector	Blade Position	Sewing Table	Subsidiary Looper
✓	✓	✓	✓	✓	2.0-4.0	—	—	—	4-6	1-2	<b>down</b> up	LOCK		—



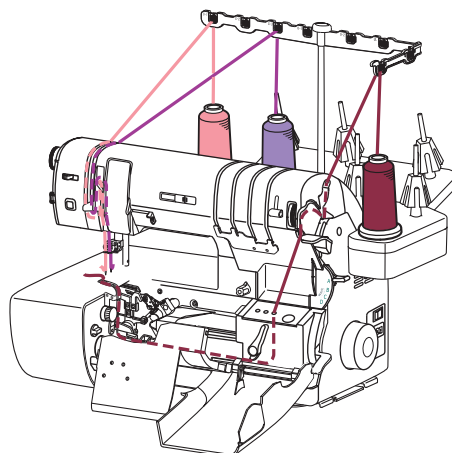
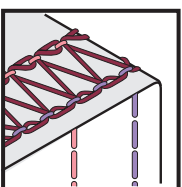
### Cover Stitch-Right Narrow

C1	C2	C3	O1	O2	Length	Width	Stitch Selector	Wave Selector	Chain Needle Tension	Chain Looper Tension	Upper Looper Selector	Blade Position	Sewing Table	Subsidiary Looper
✓	✓	✓	✓	✓	2.0-4.0	—	—	—	4-6	1-2	<b>down</b> up	LOCK		—



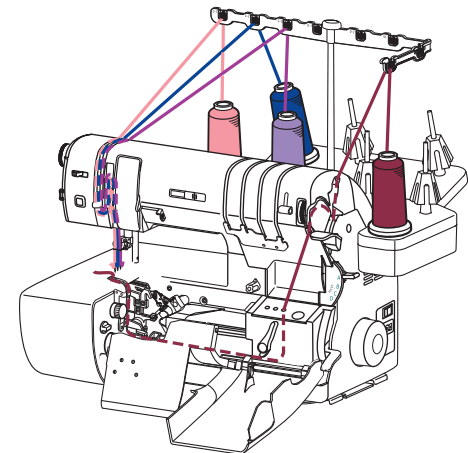
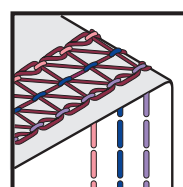
### Cover Stitch-Wide

C1	C2	C3	O1	O2	Length	Width	Stitch Selector	Wave Selector	Chain Needle Tension	Chain Looper Tension	Upper Looper Selector	Blade Position	Sewing Table	Subsidiary Looper
✓	✓	✓	✓	✓	2.0-4.0	—	—	—	4-6	0-1	<b>down</b> up	LOCK		—



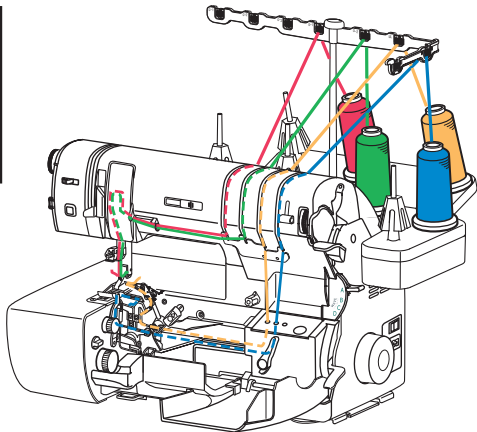
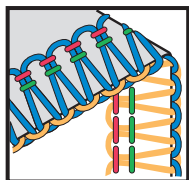
### Triple Cover Stitch

C1	C2	C3	O1	O2	Length	Width	Stitch Selector	Wave Selector	Chain Needle Tension	Chain Looper Tension	Upper Looper Selector	Blade Position	Sewing Table	Subsidiary Looper
✓	✓	✓	✓	✓	2.0-4.0	—	—	—	4-6	0-1	<b>down</b> up	LOCK		—



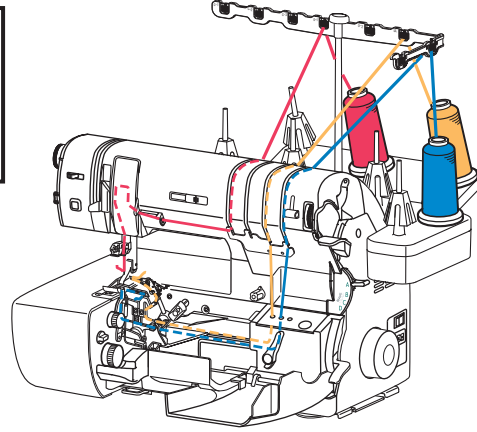
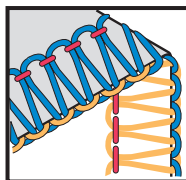
### 4-Thread Overlock

C1	C2	C3	O1	O2	Length	Width	Stitch Selector	Wave Selector	Chain Needle Tension	Chain Looper Tension
					2.5-4.0	6.5-7.5	A	OVERLOCK	—	—
Upper Looper Selector down		up		Blade Position up		Knife Cover		Subsidiary Looper		



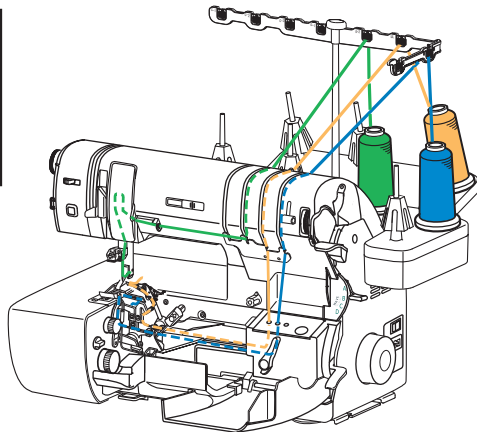
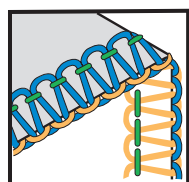
### 3-Thread Overlock-Wide

C1	C2	C3	O1	O2	Length	Width	Stitch Selector	Wave Selector	Chain Needle Tension	Chain Looper Tension
					2-4	7.5	A	OVERLOCK	—	—
Upper Looper Selector down		up		Blade Position up		Knife Cover		Subsidiary Looper		



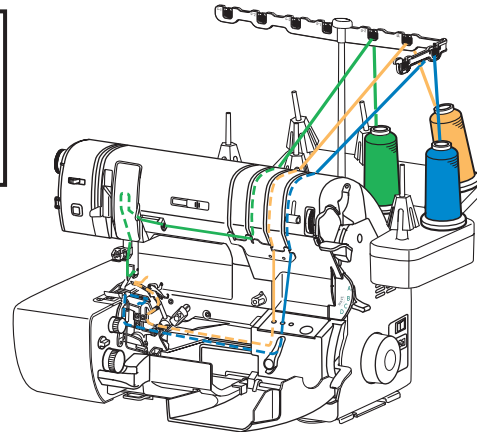
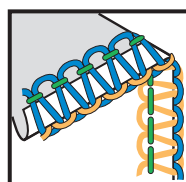
### 3-Thread Overlock-Narrow

C1	C2	C3	O1	O2	Length	Width	Stitch Selector	Wave Selector	Chain Needle Tension	Chain Looper Tension
					2-4	3.0	B	OVERLOCK	—	—
Upper Looper Selector down		up		Blade Position up		Knife Cover		Subsidiary Looper		



### 3-Thread Overlock-Narrow Hem

C1	C2	C3	O1	O2	Length	Width	Stitch Selector	Wave Selector	Chain Needle Tension	Chain Looper Tension
					0.75-4.0R	3.0	C	OVERLOCK	—	—
Upper Looper Selector down		up		Blade Position up		Knife Cover		Subsidiary Looper		



### 3-Thread Overlock-Rolled Edge

C1	C2	C3	O1	O2	Length	Width	Stitch Selector	Wave Selector	Chain Needle Tension	Chain Looper Tension
					0.75-4.0R	3.5	D	OVERLOCK	—	—
Upper Looper Selector down		up		Blade Position up		Knife Cover		Subsidiary Looper		

